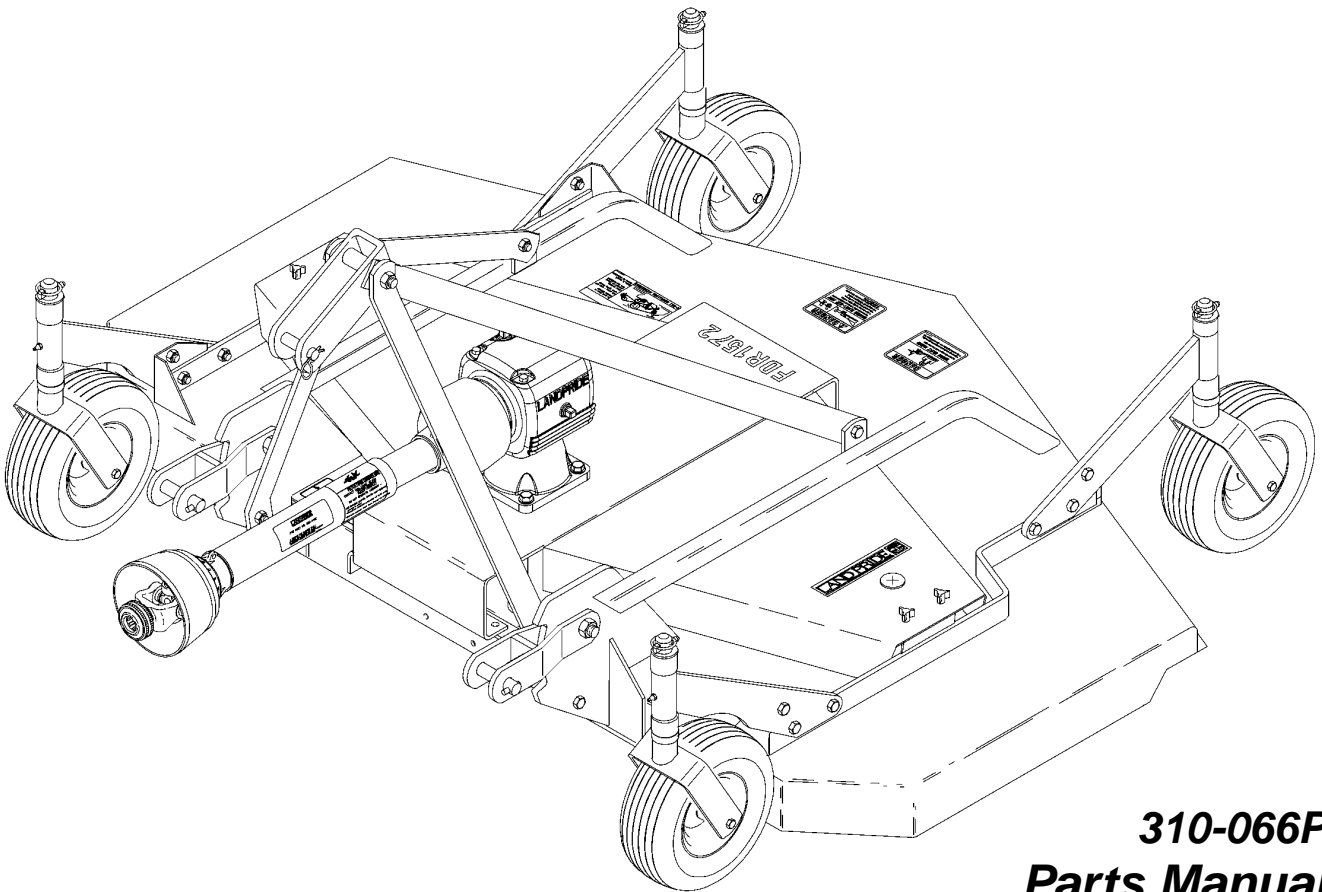


Rear Discharge Grooming Mower

FDR1548, FDR1560, FDR1572, FDR1648, FDR1660 & FDR1672



310-066P
Parts Manual



Read the Operator's manual entirely. When you see this symbol, the subsequent instructions and warnings are serious - follow without exception. Your life and the lives of others depend on it!

© Copyright 2007 Printed 11/06/07

Cover photo may show optional equipment not supplied with standard unit.





Table of Contents

Section 1: Introduction.....4
 Using This Manual.....4
 Manual Replacement Information.....4
 Manual Revisions.....4
 Touch-up Paint.....4
 Hardware Legend.....5
 Replacement Hardware.....5
 Serial Numbers.....5
 Part Number Service Coding.....5

FDR15 SERIES

Section 2: Deck.....6
 Deck.....6
 Gauge Wheel Tire (814-108C) (814-079C).....8

Section 2: Decks.....10
 Deck.....10
 Deck.....14
 Gauge Wheel Tire (814-071C) (814-188C).....18

Section 3: Drive.....20
 Belt Drive (S/N 212180-).....20
 Belt Drive (S/N 212180-).....24
 Belt Drive (S/N 212180-).....28
 Belt Drive (S/N 212181+).....32
 Belt Drive (S/N 212181+).....36
 Belt Drive (S/N 212181+).....40

Section 4: Gearboxes.....43
 Gearbox (826-085C) IEG.....44
 Gearbox (826-085C) ITG.....46
 Gearbox (826-204C).....48
 Gearbox (826-204C) OMNI.....50
 Gearbox (826-206C) OMNI.....52
 Gearbox (826-294C) OMNI.....54
 Gearbox (826-294C) OMNI.....56
 Gearbox (826-296C) OMNI.....58
 Gearbox (826-326C).....60
 Gearbox (826-326C) Comer.....62
 Gearbox (826-367C) Comer.....64
 Gearbox (826-367C) Comer.....66

Section 5: Drivelines.....68
 Driveline (826-107C) Eurocardan (S/N 231582-).....68
 Driveline (826-107C) Eurocardan (S/N 231582-).....70
 Driveline (826-107C) Eurocardan (S/N 231583+).....72
 Driveline (826-107C) Eurocardan (S/N 231583+).....74
 Driveline (826-140C) Eurocardan (S/N 231582-).....76
 Driveline (826-140C) Eurocardan (S/N 231583+).....78

Section 6: Labels.....80
 Label Placement.....80
 Label Placement.....82

FDR16 SERIES

Section 2: Decks.....84
 Belt Covers.....84
 Front Roller.....86
 Hitch.....88
 Hitch.....90

Section 3: Gauge Wheel.....92
 Gauge Wheel Assembly.....92
 Gauge Wheel Assembly.....94
 Gauge Wheel, Air (814-071C).....96
 Gauge Wheel, Solid Tire (814-188C).....98

Section 4: Gearbox & Drive.....100
 Belt Drive.....100
 Belt Drive - Gearbox.....102
 Belt Drive - Take-Up.....106
 Gearbox (826-367C) Comer.....108

Section 5: Drivelines.....110
 Driveline (826-273C).....110
 Driveline (826-410C) S/N 392473+.....112

Section 6: Labels.....114
 Label Placement.....114

Part Number Index.....116

© Copyright 2007. All rights reserved.

Land Pride provides this publication "as is" without warranty of any kind, either expressed or implied. While every precaution has been taken in the preparation of this manual, Land Pride assumes no responsibility for errors or omissions. Neither is any liability assumed for damages resulting from the use of the information contained herein. Land Pride reserves the right to revise and improve its products as it sees fit. This publication describes the state of this product at the time of its publication, and may not reflect the product in the future. The illustrations in this manual are not intended for safe and proper assembly or disassembly of equipment. The illustrations are intended for ordering parts only.

Land Pride is registered trademark.

All other brands and product names are trademarks or registered trademarks of their respective holders.

Printed in the United States of America.



Alphabetized Table of Contents

FDR15 SERIES

B

Belt Drive (S/N 212180-)	20
Belt Drive (S/N 212180-)	24
Belt Drive (S/N 212180-)	28
Belt Drive (S/N 212181+)	32
Belt Drive (S/N 212181+)	36
Belt Drive (S/N 212181+)	40

D

Deck	6
Deck	10
Deck	14
Driveline (826-107C) Eurocardan (S/N 231582-)	68
Driveline (826-107C) Eurocardan (S/N 231582-)	70
Driveline (826-107C) Eurocardan (S/N 231583+)	72
Driveline (826-107C) Eurocardan (S/N 231583+)	74
Driveline (826-140C) Eurocardan (S/N 231582-)	76
Driveline (826-140C) Eurocardan (S/N 231583+)	78

G

Gauge Wheel Tire (814-071C) (814-188C)	18
Gauge Wheel Tire (814-108C) (814-079C)	8
Gearbox (826-085C) IEG	44
Gearbox (826-085C) ITG	46
Gearbox (826-204C)	48
Gearbox (826-204C) OMNI	50
Gearbox (826-206C) OMNI	52
Gearbox (826-294C) OMNI	54
Gearbox (826-294C) OMNI	56
Gearbox (826-296C) OMNI	58
Gearbox (826-326C)	60
Gearbox (826-326C) Comer	62
Gearbox (826-367C) Comer	64
Gearbox (826-367C) Comer	66

L

Label Placement	80
Label Placement	82

FDR16 SERIES

B

Belt Covers	84
Belt Drive	100
Belt Drive - Gearbox	102
Belt Drive - Take-Up	106

D

Driveline (826-273C)	110
Driveline (826-410C) S/N 392473+	112

F

Front Roller	86
--------------	----

G

Gauge Wheel Assembly	92
Gauge Wheel Assembly	94
Gauge Wheel, Air (814-071C)	96
Gauge Wheel, Solid Tire (814-188C)	98
Gearbox (826-367C) Comer	108

H

Hitch	88
Hitch	90

L

Label Placement	114
-----------------	-----

General Information

Using This Manual

This manual is divided into sections. The first section contains General Information. The remaining sections divide the machine into segments (i.e. Frames, Drives, Hydraulics, etc.) which illustrate and list all parts. A Parts Number Index is located at the back of the book.

The Land Pride parts in this manual are specially designed for this machine and should be replaced with Land Pride parts only.

The information in this manual is current at time of printing. Some parts may change to assure top performance.

Right-hand and left-hand as used in this manual are determined by facing the direction the machine will travel while in use.

Below is an example of two facing pages from a parts manual. Familiarize yourself with the type of information contained on these pages.

Manual Replacement Information

Replacement manuals are available. Refer to our website at www.landpride.com, the Land Pride Support Center CD or e-mail us at lit@landpride.com for additional information. Our website continues to provide the most up-to-date manuals available.

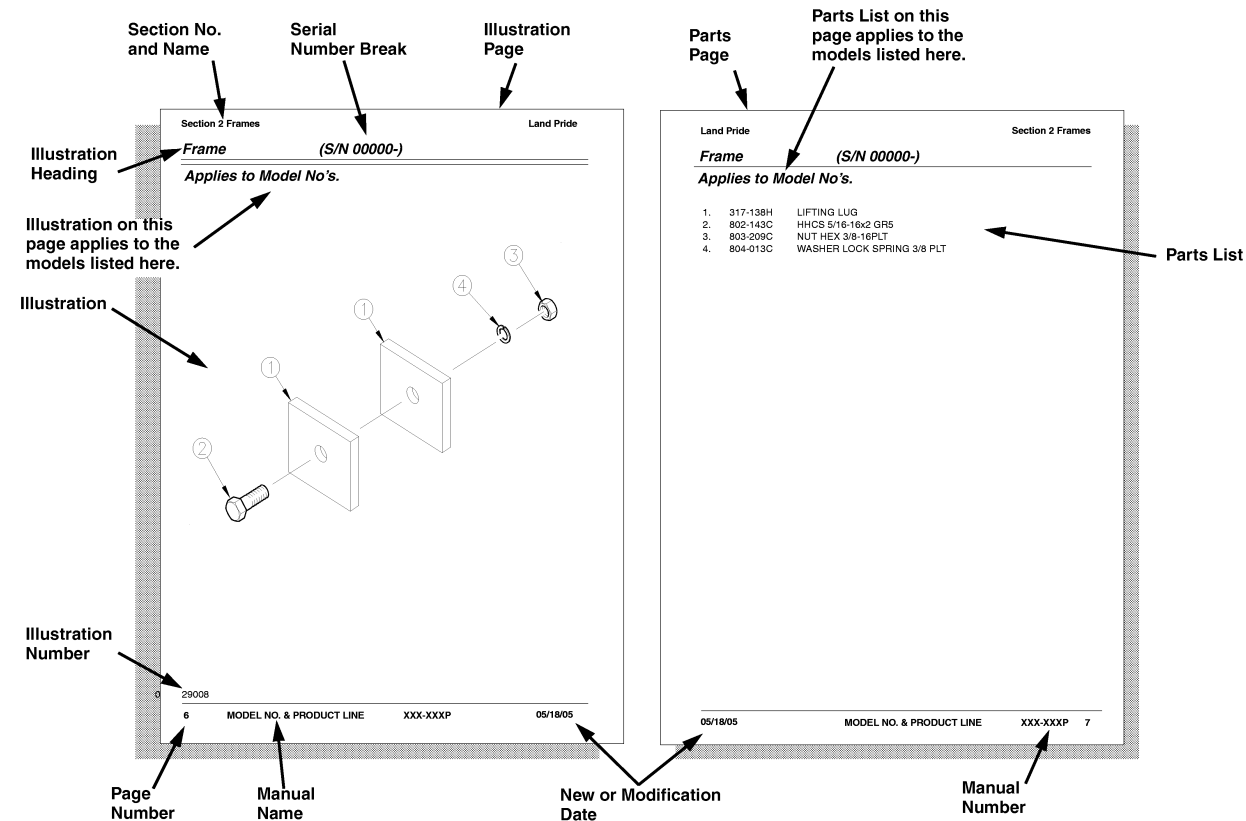
Touch-up Paint

Repaint parts where paint is worn or scratched to prevent rust. Aerosol cans and touch-up bottles with brush applicator are available through your local dealer. Land Pride color descriptions and part numbers are listed below. Also available are quart and gallon size paints. Add QT or GL to end of the Aerosol P/N.

Color	Product ¹	Aerosol	Touch-Up
Gloss Black	LP	821-032C	821-032CTU
Medium Gloss Black	UV	821-053C	821-053CTU
Beige	LP	821-011C	821-011CTU
Green	SLP	821-058C	821-058CTU
Orange	SLP	821-066C	821-066CTU
Red	SLP/UV	821-054C	821-054CTU
Blue	SLP/UV	821-067C	821-067CTU
Dark Green Sparkle	UV	821-055C	821-055CTU
Gondo Forest Green	UV	821-057C	821-057CTU
Brite Yellow ²	UV	821-056C	821-056CTU
Gondo Yellow ³	UV	821-059C	821-059CTU

Notes:

- 1 LP = All Land Pride Products except Utility Vehicles
SLP = Select Land Pride Products that are available in optional Green, Orange, Red, & Blue colors.
UV = Utility Vehicles
- 2 Used on Trekers and (Runabouts with S/N 407628-)
- 3 Used on Gondos and (Runabouts with S/N 407629+)



General Information

Hardware Legend

AR	As Required
BLADE	Blade Bolt
C	Cap Screw
CP	Cotter Pin
CPHSSS	Cup Point Hex Socket Set Screw
CPSHSS	Cup Point Square Head Set Screw
CPSQHSS	Cup Point Square Head Set Screw
CRFCHMS3	Cross Recess Flat Countersunk Head Machine Screw
CRPHMS	Cross Recess Pan Head Machine Screw
CRPHTF	Cross Recess Pan Head Thread Forming
CRRHMS	Cross Recess Round Head Machine Screw
CRTHMS	Cross Recess Truss Head Machine Screw
CSNB	Countersunk Square Neck Bolt
FHMS	Flat Head Machine Screw
FTC	Full Thread Cap Screw
H	Hex Nut
HCLN	Hex Center Lock Nut
HFLCS	Hex Flange Lock Cap Screw
HFS	Hex Flange Screw
HFSLN	Hex Flange Serrated Lock Nut
HFSS	Hex Flange Serrated Screw
HHCS	Hex Head Cap Screw or Metric Bolt
HSBHCS	Hex Socket Button Head Cap Screw
HSFCHCS	Hex Socket Flat Countersunk Head Cap Screw
HSHCS	Hex Socket Head Cap Screw
HSSS	Hex Socket Head Screw
HTLN	Hex Top Lock Nut
HWHCS	Hex Washer Head Cap Screw

HWHMS	Hex Washer Head Machine Screw
HXBHCS	Hex Socket Button Head Cap Screw
J	Hex Jam Nut
JIC	37 Degree Tapered Thread
L	Helical Spring Lock Washer
LUG	Lug Bolt
NFC	National Fine Cap Screw
NPSM	National Pipe Straight Mechanical
NPTF	National Pipe Taper Fuel
P	Wide Plain Washer
PHMS	Pan Head Machine Screw
PLOW	Plow Bolt
RHMS	Round Head Machine Screw
RHSNB	Round Head Square Neck Bolt
SCREW LEVELING	Leveling Screw
SCREW THUMB	Thumb Screw
SCREW WELD	Weld Screw
SFCHMS	Slotted Flat Countersunk Head Machine Screw
SFHMS	Slotted Fillister Head Machine Screw
SP	Special
SP SCREW	Special Screw
SQHSS	Square Head Set Screw
SRHMS	Slotted Round Head Machine Screw
SSS	Socket Set Screw
STCS	Self Tapping Cap Screw
STHMS	Slotted Truss Head Machine Screw
WHEEL	Wheel Studs and Hub Long Bolts
WING	Wing Bolt

Replacement Hardware

The **Hardware Legend** above lists hardware abbreviations used in the parts list. All bolts and nuts are Grade 5 unless otherwise noted. The use of improper grades of hardware can result in personal injury, damage to equipment, or loss of property.

Colored Replacement Parts

Land Pride offers replacement parts in factory standard colors and also on select models in Green, Orange, Red and Blue. Because of the variety of colors available, special attention must be given to the part number to prevent ordering the wrong replacement part.

A suffix number corresponding to one of the colors below must be added at the end of Land Pride's part number when ordering a replacement part with that color.

81 **Green** **83** **Red**
82 **Orange** **84** **Blue**

For example, if you are ordering a replacement part with part number 555-555C and the part you need is red, then add the suffix 83 to the end of the number to make the part number read 555-555C83. Parts ordered without a suffix number will be supplied in factory standard colors.

Black Replacement Parts

Some parts are factory standard black and some must be special ordered black. If your part is special ordered black, a second part number with the additional suffix number 85 on the end will be available. In this situation you must order that part with the suffix number for it to be black. Parts that are factory standard black will not have the suffix number.

Part Number Service Coding

Within the parts list some part numbers are coded for revisions and interchangeability. See notations in revision column.

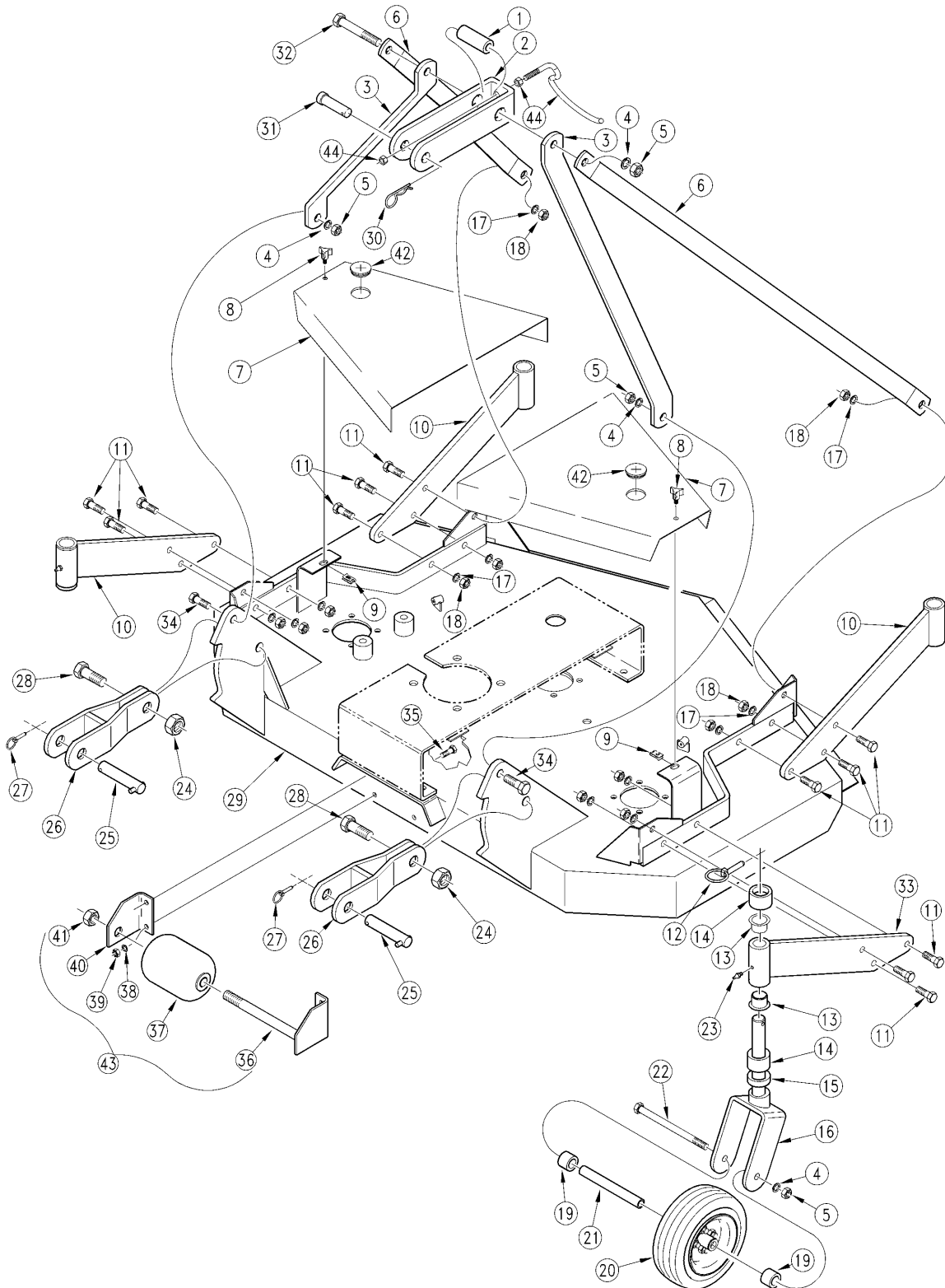
Serial Numbers

Always use the serial and model number when ordering parts. Refer to the Operator's Manual for serial number plate location.

- (S/N 20001+) Includes serial numbers 20001 and above (to the latest number)
- (S/N 10001 to 20000) Includes serial numbers between and including 10001 and 20000
- (S/N 10000-) Includes serial numbers 10000 and below (to the earliest number)

Deck

Applies to FDR1548



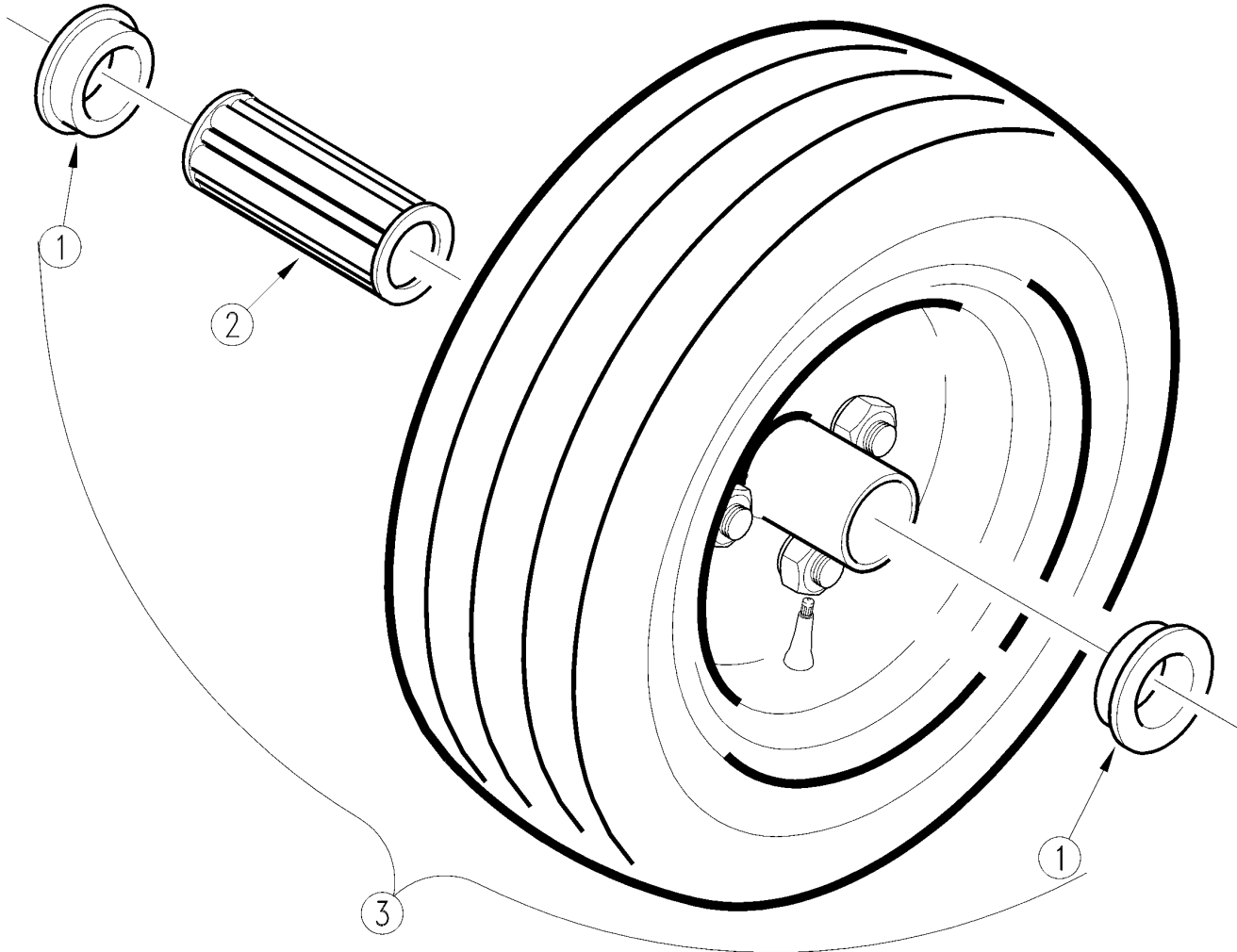
13285

Deck**Applies to FDR1548**

Ref	Part No.	Part Description	Comments	Revision
	dwg13285	Drawing Image Number		
1.	310-012D	SPACER - TOP HITCH		
2.	310-015D	PIVOTING HITCH - UPPER		
3.	310-307D	UPPER HITCH 4 WHL		
4.	804-022C	WASHER LOCK SPRING 5/8 PLT		
5.	803-022C	NUT HEX 5/8-18 PLT		
6.	310-365D	UPPER HITCH BRACE FDR1548		
7.	315-481D	48" DECK BELT GUARD		
8.	817-192C	KNOB 3 PRONG 1/4-20 X 1/2 LG		
9.	800-163C	CLIP U-TYPE NUT 1/4-20 SLF-RET		
10.	310-185S	GW ARM W/BUSHING FDR1548		
11.	802-329C	HHCS 1/2-20X1 3/4 GR5		
12.	805-126C	PIN LYNCH 1/4 X 1 3/4 PLT	(S/N 264391+)	Rev. 2
12.	805-065C	PIN WIRE RETAINING 1/4 X 1 3/4	(S/N 264390-)	Rev 1; Use up stock
13.	817-048C	SPINDLE BUSHING		
14.	827-002C	SPACER 1"		
15.	827-001C	SPACER 1/2"		
16.	310-124H	GAUGE WHEEL YOKE 1560		
17.	804-015C	WASHER LOCK SPRING 1/2 PLT		
18.	803-018C	NUT HEX 1/2-20 PLT		
19.	827-007C	G.W. SPACER TUBE-SHORT		
20.	814-108C	RPBY 814-298C		
20.	814-079C	WHEEL-SOLID 2 3/4 X 8 1/4		
21.	827-012C	G.W. SPACER TUBE-LONG		Rev. 2
21.	310-305D	RPBY 827-012C		Rev 1; Use up stock
22.	802-322C	HHCS 1/2-20X5 GR5		
23.	800-001C	GREASE ZERK STRAIGHT 1/4-28		
24.	803-114C	NUT LOCK 3/4-16 NYLOC COLLAR		
25.	310-020S	LOWER HITCH PIN		
26.	310-125H	LOWER HITCH LUG 1560		
27.	805-015C	PIN LYNCH 5/16 X 1 3/4		
28.	802-321C	HHCS 3/4-16X2 1/2 GR5		
29.	310-181H	DECK WELDMENT FDR1548		
30.	805-143C	PIN HAIR COTTER .120 PLT		
31.	805-142C	PIN CLEVIS 3/4 X 3 1/2 PLT		
32.	802-307C	HHCS 5/8-18X5 GR5		
33.	310-182H	GW ARM FDR1548		
34.	802-246C	HHCS 5/8-18X1 3/4 GR5		
35.	802-014C	HHCS 3/8-16X3/4 GR5		
36.	315-133H	FRONT ROLLER BRKT L.H.	(S/N 176001+)	Rev. 2
36.	310-319H	LOW LH FRONT ROLLER WELDMENT	(S/N 176000-)	Rev 1; Use up stock
37.	817-082C	4 X 5 1/2 FRONT ROLLER		
38.	804-013C	WASHER LOCK SPRING 3/8 PLT		
39.	803-014C	NUT HEX 3/8-16 PLT		
40.	315-409D	FRONT ROLLER MOUNT-R.H.	(S/N 176001+)	Rev. 2
40.	310-533D	LOW FRONT ROLLER RH BRACKET	(S/N 176000-)	Rev 1; Use up stock
41.	803-114C	NUT LOCK 3/4-16 NYLOC COLLAR		
42.	816-298C	RUBBER PLUG 1 3/8 W/CROSS SLIT	(S/N 239292+)	
43.	310-210S	FRONT ANTI-SCALP ROLLER ASSY		
44.	800-320C	DRIVELINE HOOK HANGER W/HRDWR	(S/N 317416+)	

Gauge Wheel Tire (814-108C) (814-079C)

Applies to FDR1548



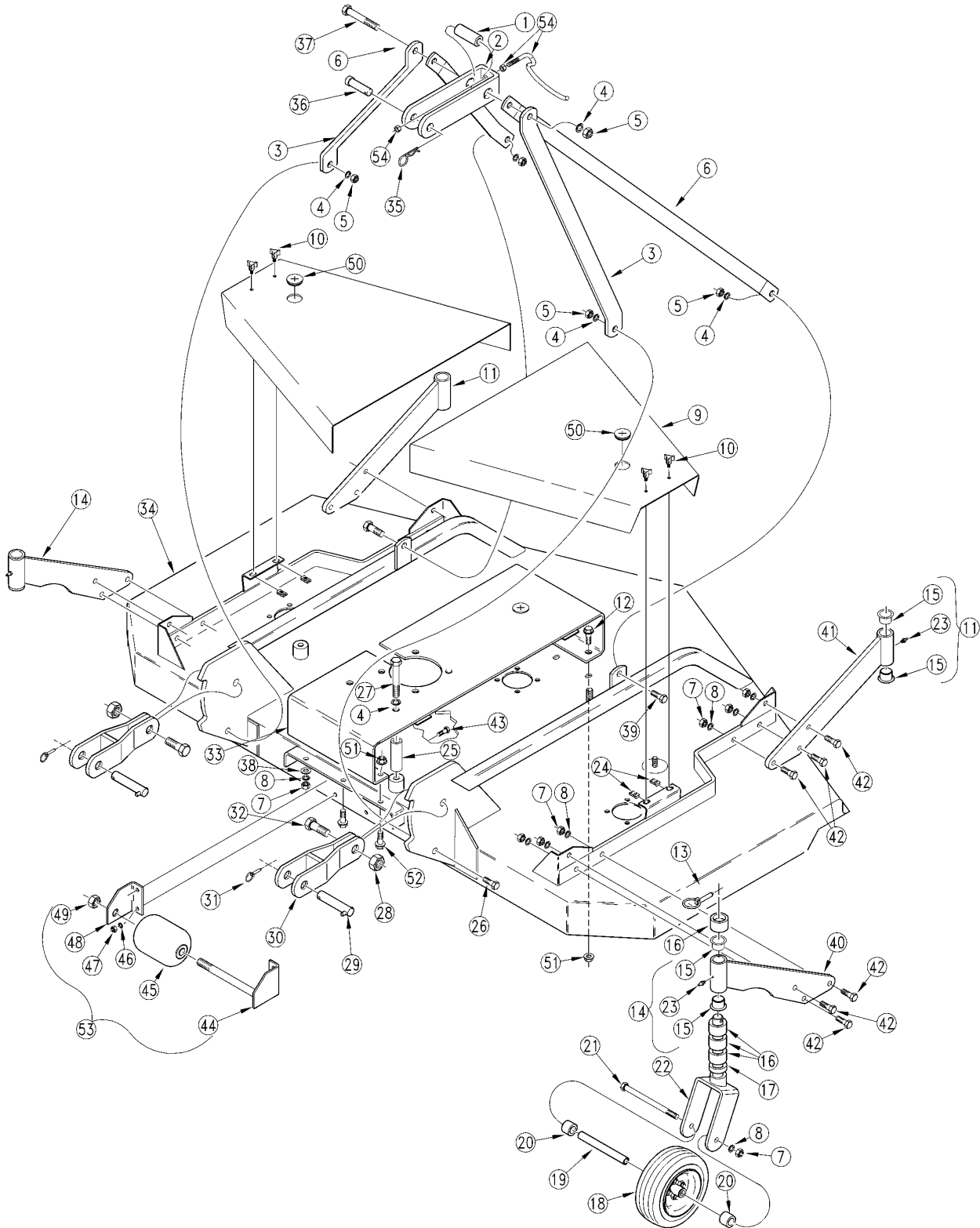
13713

Gauge Wheel Tire (814-108C) (814-079C)**Applies to FDR1548**

Ref	Part No.	Part Description	Comments	Revision
	dwg13713	Drawing Image Number		
1.	RT-3414	MRTN RETAINER 3/4ID-1/4 PRESS	Martin	
1.	53-164	TILDEN RTNR 3/4IDX1 3/8ODX1/4L	Tilden	
2.	95340NA	MRTN OPEN CAGE ROLL.BRG.3/4 ID	Martin 814-108C	
2.	53-217	TDN BRG 3/4-10X1 3/8ODX2 1/2RB	Tilden 814-108C	
2.	890-189C	BUSHING 3/4 I.D. 1 3/8 X 1 LG	Two required 814-079C	
3.	814-108C	TIRE/WHEEL ASSY 8X3.00X4, 3/4B	Martin/Tilden	
3.	814-079C	WHEEL-SOLID 2 3/4 X 8 1/4		

Deck

Applies to FDR1572



13601

Deck**Applies to FDR1572**

Ref	Part No.	Part Description	Comments	Revision
	dwg13601	Drawing Image Number		
1.	310-012D	SPACER - TOP HITCH		
2.	310-015D	PIVOTING HITCH - UPPER		
3.	310-375D	FDR UPPER HITCH BAR		
4.	804-022C	WASHER LOCK SPRING 5/8 PLT		
5.	803-022C	NUT HEX 5/8-18 PLT		
6.	310-376D	FDR1572 UPPER HITCH BRACE		
7.	803-020C	NUT HEX 1/2-13 PLT	(S/N 209513<->286329)	Rev. 2 not compat. w/Rev. 1
7.	803-018C	NUT HEX 1/2-20 PLT	(S/N 209512-)	Rev. 1
8.	804-015C	WASHER LOCK SPRING 1/2 PLT	(S/N 286329-)	
9.	315-785D	FDR1572 RH & LH BELT COVER	(S/N 241352+)	Rev. 2 not compat. w/Rev. 1
9.	315-233D	DECK BELT GUARD	(S/N 241351-)	Rev. 1
10.	817-192C	KNOB 3 PRONG 1/4-20 X 1/2 LG		
11.	310-194S	1572-60 REAR GW ARM ASSY		
12.	802-203C	HFSS 1/2-13X1 1/2 GR5	(S/N 286330+)	Rev. 3 not compat. w/Rev. 1 & 2
12.	802-091C	HHCS 1/2-13X1 1/2 GR5	(S/N 209513+)	Rev. 2 not compat. w/Rev. 1
12.	802-036C	HHCS 1/2-20X1 1/2 GR5	(S/N 209512-)	Rev. 1
13.	805-126C	PIN LYNCH 1/4 X 1 3/4 PLT		
14.	310-193S	1572-60 FRONT GW ARM ASSY		
15.	817-048C	SPINDLE BUSHING		
16.	827-002C	SPACER 1"		
17.	827-001C	SPACER 1/2"		
18.	814-071C	TIRE 10 X 4 TUBELESS AIR		
18.	814-188C	TIRE 10X3.25 SOLID STRT RIB CR		
19.	310-328D	SPACER TUBE GA. WHL. 5 1/8 LG		
20.	310-024D	GAUGE WHEEL SPACER - SHORT	Air Tire	
20.	310-329D	GAUGE WHEEL SPACER(SOLID TIRE)		
21.	802-350C	HHCS 1/2-20X6 1/2 GR5		
22.	310-149H	GAUGE WHEEL YOKE(5 1/8 INSIDE)		
23.	800-001C	GREASE ZERK STRAIGHT 1/4-28		
24.	800-163C	CLIP U-TYPE NUT 1/4-20 SLF-RET		
25.	315-562D	GEAR BOX CHANNEL SPACER		
26.	802-246C	HHCS 5/8-18X1 3/4 GR5		
27.	802-100C	HHCS 5/8-11X4 1/2 GR5		
28.	803-114C	NUT LOCK 3/4-16 NYLOC COLLAR		
29.	310-020S	LOWER HITCH PIN		
30.	310-125H	LOWER HITCH LUG 1560		
31.	805-015C	PIN LYNCH 5/16 X 1 3/4		
32.	802-321C	HHCS 3/4-16X2 1/2 GR5		
33.	315-408H	FDR1572 GEARBOX CHANNEL WLDMNT	(S/N 241352+)	Rev. 2 not compat. w/Rev. 1
33.	310-195H	FDR1572 GEAR BOX CHANNEL WELD	(S/N 241351-)	Rev. 1
34.	310-192H	FDR1572 DECK WELDMENT		
35.	805-143C	PIN HAIR COTTER .120 PLT		
36.	805-142C	PIN CLEVIS 3/4 X 3 1/2 PLT		
37.	802-307C	HHCS 5/8-18X5 GR5		
38.	804-016C	WASHER FLAT 1/2 SAE PLT	(S/N 286329-)	
39.	802-207C	HHCS 5/8-18X1 1/2 GR5		
40.	310-196H	1572-60 FRONT GW ARM WELD		
41.	310-197H	1572-60 REAR GW ARM WELD		
42.	802-329C	HHCS 1/2-20X1 3/4 GR5		
43.	802-014C	HHCS 3/8-16X3/4 GR5		
44.	315-133H	FRONT ROLLER BRKT L.H.	(S/N 176001+)	Rev. 2
44.	310-319H	LOW LH FRONT ROLLER WELDMENT	(S/N 176000-)	Rev 1; Use up stock
45.	817-082C	4 X 5 1/2 FRONT ROLLER		
46.	804-013C	WASHER LOCK SPRING 3/8 PLT		
47.	803-014C	NUT HEX 3/8-16 PLT		
48.	315-409D	FRONT ROLLER MOUNT-R.H.	(S/N 176001+)	Rev. 2

Deck (continued)

Applies to FDR1572

Ref	Part No.	Part Description	Comments	Revision
48.	310-533D	LOW FRONT ROLLER RH BRACKET	(S/N 176000-)	Rev 1; Use up stock
49.	803-114C	NUT LOCK 3/4-16 NYLOC COLLAR		
50.	816-298C	RUBBER PLUG 1 3/8 W/CROSS SLIT	(S/N 241352+)	
51.	803-037C	NUT HEX WHIZ 1/2-13 PLT	(S/N 241352+)	
52.	802-203C	HFSS 1/2-13X1 1/2 GR5	(S/N 241351-)	
53.	310-210S	FRONT ANTI-SCALP ROLLER ASSY		
54.	800-320C	DRIVELINE HOOK HANGER W/HRDWR	(S/N 317416+)	

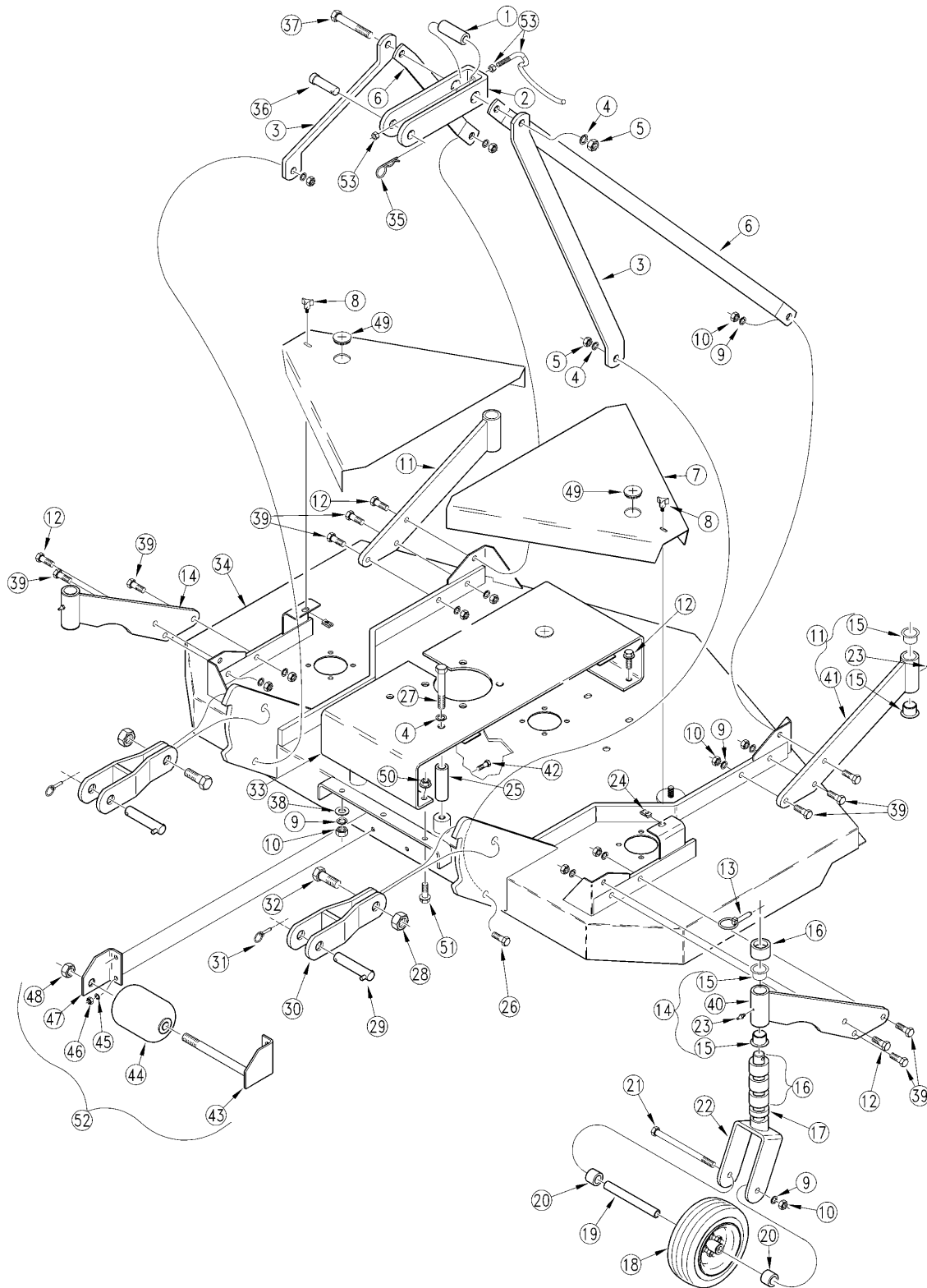
Deck (continued)

Applies to FDR1572

This Page Intentionally Left Blank

Deck

Applies to FDR1560



13592

Deck**Applies to FDR1560**

Ref	Part No.	Part Description	Comments	Revision
	dwg13592	Drawing Image Number		
1.	310-012D	SPACER - TOP HITCH		
2.	310-015D	PIVOTING HITCH - UPPER		
3.	310-375D	FDR UPPER HITCH BAR		
4.	804-022C	WASHER LOCK SPRING 5/8 PLT		
5.	803-022C	NUT HEX 5/8-18 PLT		
6.	310-407D	FDR1560 HITCH BRACE		
7.	310-449D	FD1560 RH & LH BELT COVER	(S/N 239292+)	Rev. 2 not compat. w/Rev. 1
7.	310-280D	BELT COVER-1560	(S/N 239291-)	Rev. 1
8.	817-192C	KNOB 3 PRONG 1/4-20 X 1/2 LG		
9.	804-015C	WASHER LOCK SPRING 1/2 PLT	(S/N 286329-)	
10.	803-020C	NUT HEX 1/2-13 PLT	(S/N 209513<->286329)	Rev. 2 not compat. w/Rev. 1
10.	803-018C	NUT HEX 1/2-20 PLT	(S/N 2095-12-)	Rev. 1
11.	310-194S	1572-60 REAR GW ARM ASSY	Includes items 23 and 41; two of item 15	
12.	802-203C	HFSS 1/2-13X1 1/2 GR5	(S/N 286330+)	Rev. 4 not compat. w/Rev. 1, 2 or 3
12.	802-329C	HHCS 1/2-20X1 3/4 GR5		Rev. 3
12.	802-091C	HHCS 1/2-13X1 1/2 GR5	(S/N 209513+)	Rev. 2 not compat. w/Rev. 1
12.	802-036C	HHCS 1/2-20X1 1/2 GR5	(S/N 209512-)	Rev. 1
13.	805-126C	PIN LYNCH 1/4 X 1 3/4 PLT		
14.	310-193S	1572-60 FRONT GW ARM ASSY	Includes items 23 and 40; two of item 15	
15.	817-048C	SPINDLE BUSHING		
16.	827-002C	SPACER 1"		
17.	827-001C	SPACER 1/2"		
18.	814-071C	TIRE 10 X 4 TUBELESS AIR		
18.	814-188C	TIRE 10X3.25 SOLID STRT RIB CR		
19.	310-328D	SPACER TUBE GA. WHL. 5 1/8 LG		
20.	310-024D	GAUGE WHEEL SPACER - SHORT	Air Tire	
20.	310-329D	GAUGE WHEEL SPACER(SOLID TIRE)		
21.	802-350C	HHCS 1/2-20X6 1/2 GR5		
22.	310-149H	GAUGE WHEEL YOKE(5 1/8 INSIDE)		
23.	800-001C	GREASE ZERK STRAIGHT 1/4-28		
24.	800-163C	CLIP U-TYPE NUT 1/4-20 SLF-RET		
25.	315-562D	GEAR BOX CHANNEL SPACER		
26.	802-246C	HHCS 5/8-18X1 3/4 GR5		
27.	802-100C	HHCS 5/8-11X4 1/2 GR5		
28.	803-114C	NUT LOCK 3/4-16 NYLOC COLLAR		
29.	310-020S	LOWER HITCH PIN		
30.	310-125H	LOWER HITCH LUG 1560		
31.	805-015C	PIN LYNCH 5/16 X 1 3/4		
32.	802-321C	HHCS 3/4-16X2 1/2 GR5		
33.	310-201H	FDR1560 GEAR BOX CHANNEL WELD		
34.	310-200H	FDR1560 DECK WELD		
35.	805-143C	PIN HAIR COTTER .120 PLT		
36.	805-142C	PIN CLEVIS 3/4 X 3 1/2 PLT		
37.	802-307C	HHCS 5/8-18X5 GR5		
38.	804-016C	WASHER FLAT 1/2 SAE PLT	(S/N 286329-)	
39.	802-329C	HHCS 1/2-20X1 3/4 GR5		
40.	310-196H	1572-60 FRONT GW ARM WELD		
41.	310-197H	1572-60 REAR GW ARM WELD		
42.	802-014C	HHCS 3/8-16X3/4 GR5		
43.	315-133H	FRONT ROLLER BRKT L.H.	(S/N 176001+)	Rev. 2
43.	310-319H	LOW LH FRONT ROLLER WELDMENT	(S/N 176000-)	Rev 1; Use up stock
44.	817-082C	4 X 5 1/2 FRONT ROLLER		
45.	804-013C	WASHER LOCK SPRING 3/8 PLT		
46.	803-014C	NUT HEX 3/8-16 PLT		

Deck (continued)

Applies to FDR1560

Ref	Part No.	Part Description	Comments	Revision
47.	315-409D	FRONT ROLLER MOUNT-R.H.	(S/N 176001+)	Rev. 2
47.	310-533D	LOW FRONT ROLLER RH BRACKET	(S/N 176000-)	Rev 1; Use up stock
48.	803-114C	NUT LOCK 3/4-16 NYLOC COLLAR		
49.	816-298C	RUBBER PLUG 1 3/8 W/CROSS SLIT	(S/N 239292+)	
50.	803-037C	NUT HEX WHIZ 1/2-13 PLT	(S/N 286330+)	
51.	802-203C	HFSS 1/2-13X1 1/2 GR5	(S/N 286330+)	
52.	310-210S	FRONT ANTI-SCALP ROLLER ASSY		
53.	800-320C	DRIVELINE HOOK HANGER W/HRDWR	(S/N 317416+)	

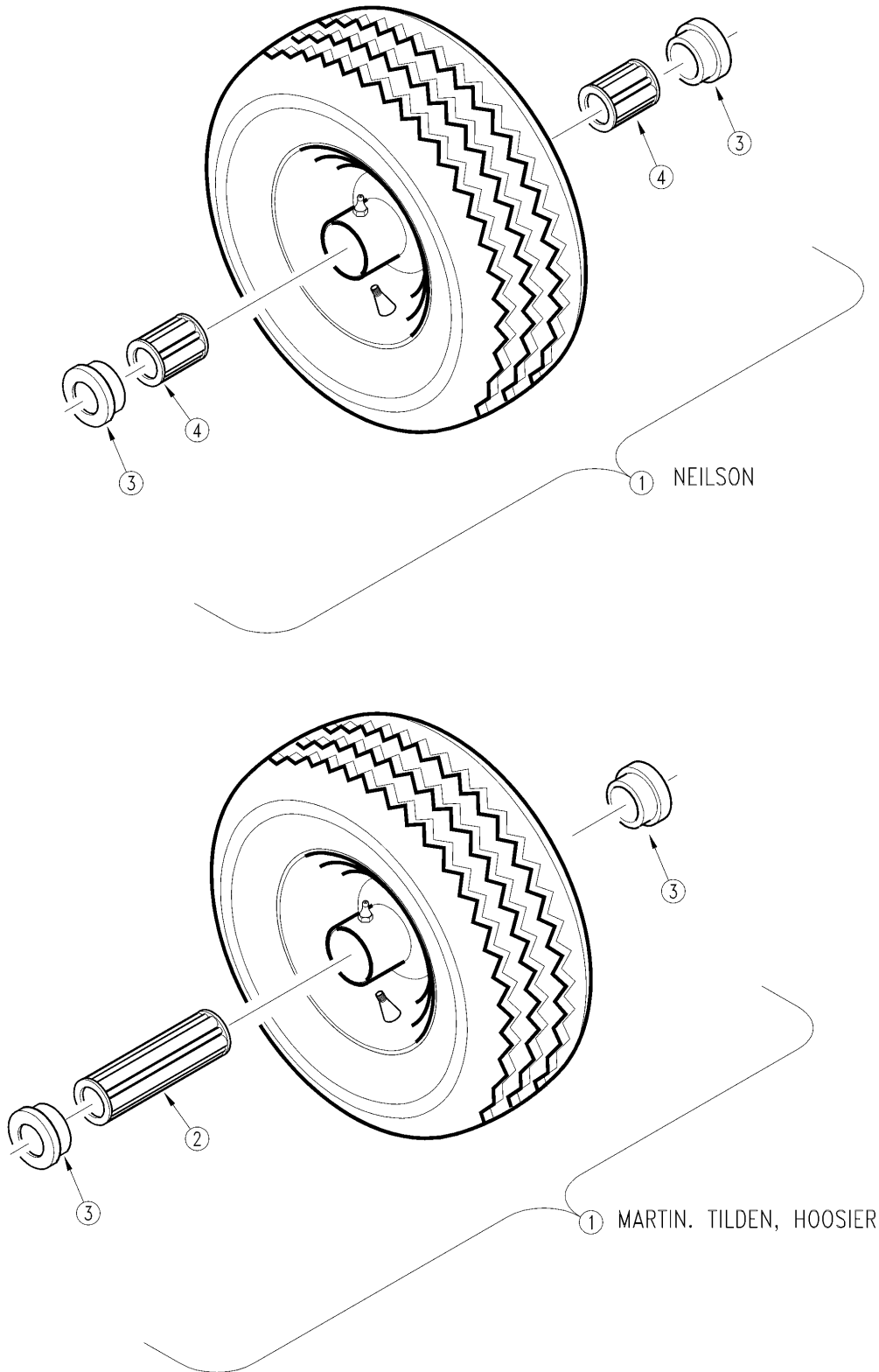
Deck (continued)

Applies to FDR1560

This Page Intentionally Left Blank

Gauge Wheel Tire (814-071C) (814-188C)

Applies to FDR1560, FDR1572



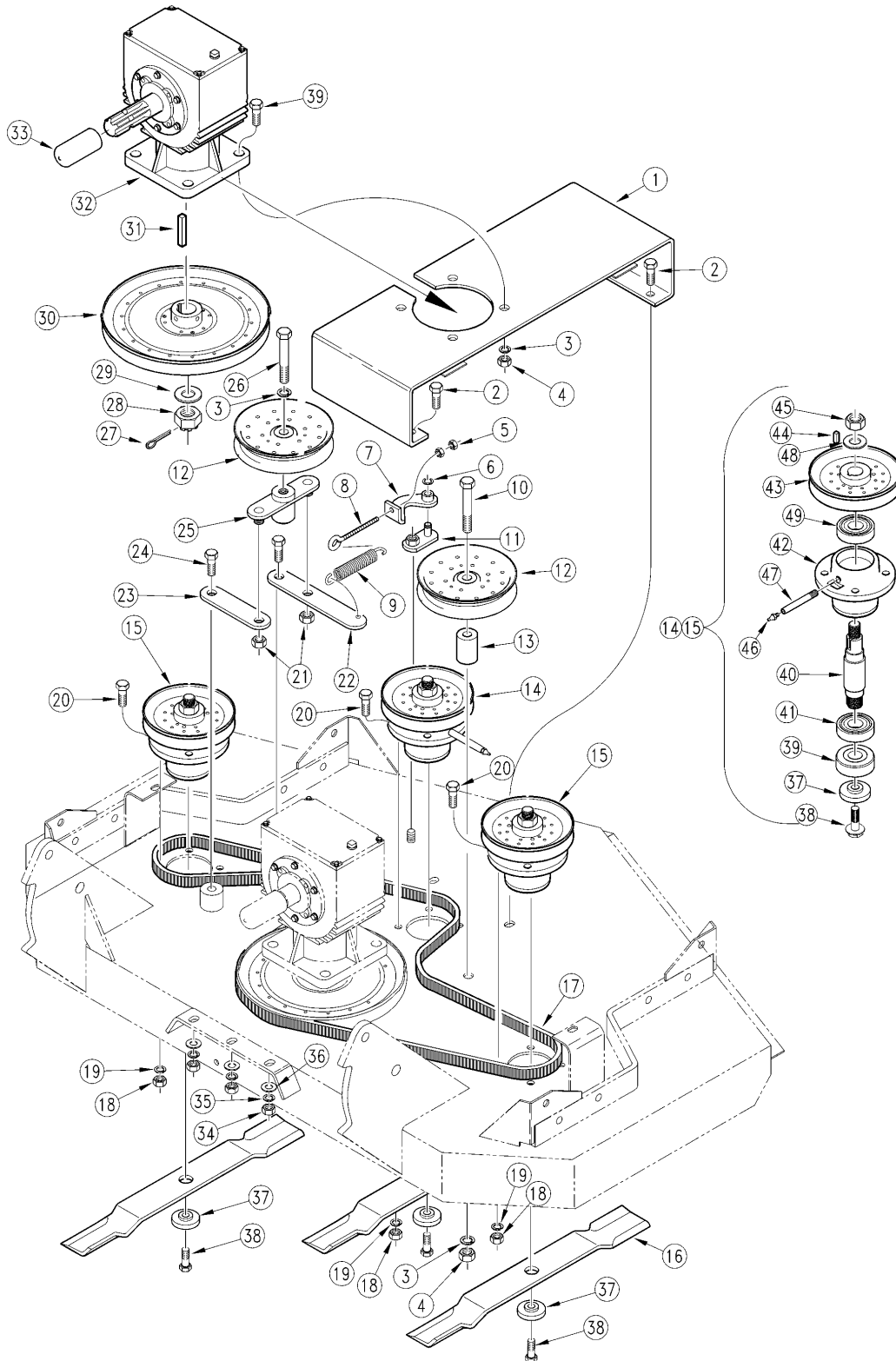
13629

Gauge Wheel Tire (814-071C) (814-188C)**Applies to FDR1560, FDR1572**

Ref	Part No.	Part Description	Comments	Revision
	dwg13629	Drawing Image Number		
1.	814-071C	TIRE 10 X 4 TUBELESS AIR		
1.	814-188C	TIRE 10X3.25 SOLID STRT RIB CR		
2.	53-182	TILDEN BRG 3/4IDX1 3/8ODX3 1/4	814-071C	
2.	87410	HS CGD RLR BRG.75IDX1.37X1.5LG	814-188C	
3.	53-164	TILDEN RTNR 3/4IDX1 3/8ODX1/4L	814-071C	
3.	87040	HS BRG 3/4ID X 1.407OD X 5/8LG	814-188C	
4.	53-189	TILDEN BRG 3/4ID1.34ODX15/16L	814-071C	

Belt Drive (S/N 212180-)

Applies to FDR1548



13284

Belt Drive (S/N 212180-)**Applies to FDR1548**

Ref	Part No.	Part Description	Comments	Revision
	dwg13284	Drawing Image Number		
1.	310-183H	GEAR BOX CHANNEL FDR1548		
2.	802-091C	HHCS 1/2-13X1 1/2 GR5	(S/N 209513+)	Rev. 2 not compat. w/Rev. 1
2.	802-034C	HHCS 1/2-13X1 1/4 GR5	(S/N 209512-)	Rev. 1
3.	804-022C	WASHER LOCK SPRING 5/8 PLT		
4.	803-022C	NUT HEX 5/8-18 PLT		
5.	803-014C	NUT HEX 3/8-16 PLT	(S/N 174815+)	Rev. 2 not compat. w/Rev. 1
5.	803-006C	NUT HEX 1/4-20 PLT	(S/N 174814-)	Rev. 1
6.	800-099C	SNAP RING EXT 7/16		
7.	310-095H	SPRING EYE-BOLT BRACKET		
8.	802-567C	SP EYE 3/8-16X4	(S/N 174815+)	Rev. 2 not compat. w/Rev. 1
8.	802-443C	SP EYE 1/4-20X4 1/4-4 1/2	(S/N 174814-)	Rev. 1
9.	807-068C	SPRING EXT BELT HANDLE		
10.	802-237C	HHCS 5/8-18X4 GR5		
11.	310-094H	OVER-CENTER LATCH-90		
12.	808-073C	FLAT IDLE PULLEY 6 1/4 O.D.		
13.	310-051D	IDLER SPACER		
14.	310-139S	CW SPDLE HUB ASSY 5"PULL 9.8TB		
15.	310-132S	CW SPDLE HUB ASSY 5"PULL 3"TB		
16.	890-219C	MWR BLD 1/4X16 7/8SD HL CW	Standard High Lift	
16.	890-325C	MWR BLD 1/4X16 7/8SD ML CW	Optional Medium Lift	
16.	890-323C	MWR BLD 1/4X16 7/8SD LL CW	Optional Low Lift	
16.	890-700C	MWR BLD MULCH 1/4X16 7/8SD CW	Optional Mulch Blades	
17.	816-142C	V-BELT B93 95.75 E.L. KEVLAR		
18.	803-115C	NUT HEX 7/16-20 PLT		
19.	804-014C	WASHER LOCK 7/16 PLT		
20.	802-229C	HHCS 7/16-20X1 1/2 GR8		
21.	803-024C	NUT LOCK 5/8-11 PLT		
22.	310-353D	IDLER LINK BAR LONG		
23.	310-354D	IDLER LINK BAR SHORT		
24.	802-228C	HHCS 5/8-11X1 1/2 GR5 NYL		
25.	310-165H	IDLER MOUNT BAR		
26.	802-051C	HHCS 5/8-11X1 1/2 GR5		
27.	805-017C	PIN COTTER 3/16 X 1 3/4 PLT		
28.	8.2.2.01144	NUT M 24 X 2		
29.	804-029C	WASHER FLAT 1 SAE PLT		
30.	808-182C	B-GROOVE DRIVE PULLEY 12 OD		
31.	310-331D	KEY 1/4" X 11/16" LONG		
32.	826-204C	REP BY 826-326C	(S/N 204085 <-> 215623)	Rev. 2
32.	826-085C	RPBY 826-204C & 826-206C	(S/N 204084-)	Rev. 1
33.	817-050C	GEARBOX SHAFT PROTECTOR		
34.	803-020C	NUT HEX 1/2-13 PLT	(S/N 209513+)	Rev. 2 not compat. w/Rev. 1
34.	803-018C	NUT HEX 1/2-20 PLT	(S/N 209512-)	Rev. 1
35.	804-015C	WASHER LOCK SPRING 1/2 PLT		
36.	804-016C	WASHER FLAT 1/2 SAE PLT		
37.	804-110C	WASHER BLADE 2ODX.56THKX.51ID		
38.	802-695C	HFS 1/2-20X2 GR8	Service Part	Rev. 2 not compat. w/Rev. 1
38.	802-384C	HFS 1/2-20X1 1/4 GR5		Rev. 1
39.	310-300D	BLADE HUB		
40.	310-361D	BLADE SPINDLE SHAFT		
41.	822-006C	BEARING 206		
42.	310-224D	BLADE HUB- MACH.-90		
43.	808-075C	B-GROOVE PULLEY 5 O.D.		
44.	172-242D	1/4 SQ. KEY X 7/8 LG		
45.	803-114C	NUT LOCK 3/4-16 NYLOC COLLAR		
46.	800-075C	ZERK 5/16-24 STRAIGHT #1711B		
47.	310-312D	LUBE FITTING 3" EXTENSION	Used with item 15	
47.	310-176D	72 CENTER GREASE TUBE	Used with item 14	

Belt Drive (S/N 212180-) (continued)

Applies to FDR1548

Ref	Part No.	Part Description	Comments	Revision
48.	804-093C	WASHER FLAT 3/4 HARD ASTM436	(S/N 174548+)	Rev. 2
48.	804-025C	WASHER FLAT 3/4 SAE PLT	(S/N 174547-)	Rev 1; Use up stock
49.	822-161C	BEARING 6206 W/ METAL SHIELD	(S/N 174548+)	Rev. 2
49.	822-006C	BEARING 206	(S/N 174547-)	Rev 1; Use up stock

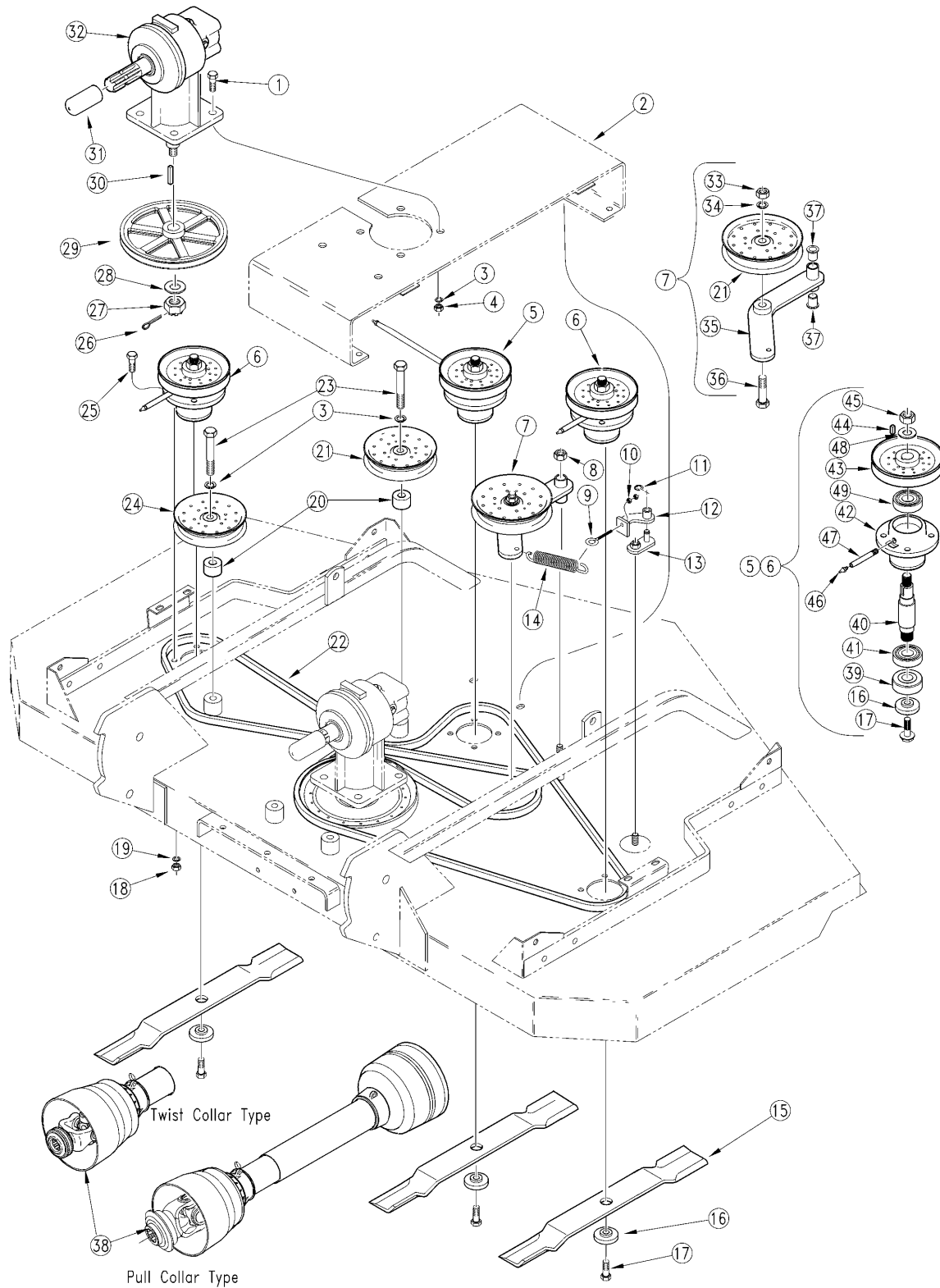
Belt Drive (S/N 212180-) (continued)

Applies to FDR1548

This Page Intentionally Left Blank

Belt Drive (S/N 212180-)

Applies to FDR1572



13602

Belt Drive (S/N 212180-)**Applies to FDR1572**

Ref	Part No.	Part Description	Comments	Revision
	dwg13602	Drawing Image Number		
1.	802-246C	HHCS 5/8-18X1 3/4 GR5		
2.	310-195H	FDR1572 GEAR BOX CHANNEL WELD		
3.	804-022C	WASHER LOCK SPRING 5/8 PLT		
4.	803-022C	NUT HEX 5/8-18 PLT		
5.	310-177S	CW SPDLE HUB ASSY 6"PULL 9.8TB		
6.	310-161S	CW SPDLE HUB ASSY 6"PULL 3"TB		
7.	315-075S	AFM BELT TAKE UP HANDLE ASSY		
8.	803-119C	NUT LOCK 5/8-18 NYLOK COLLAR P		
9.	802-567C	SP EYE 3/8-16X4	(S/N 174815+)	Rev. 2 not compat. w/Rev. 1
9.	802-233C	SP EYE 1/4-20X2 3/4	(S/N 174814-)	Rev. 1
10.	803-014C	NUT HEX 3/8-16 PLT	(S/N 174815+)	Rev. 2 not compat. w/Rev. 1
10.	803-006C	NUT HEX 1/4-20 PLT	(S/N 174814-)	Rev. 1
11.	800-099C	SNAP RING EXT 7/16		
12.	310-095H	SPRING EYE-BOLT BRACKET		
13.	310-094H	OVER-CENTER LATCH-90		
14.	807-068C	SPRING EXT BELT HANDLE		
15.	890-318C	MWR BLD 1/4 X 25SD ML CW	Standard Medium Lift Blades 3 per Mower	
15.	890-172C	MWR BLD 1/4 X 25SD HL CW	Optional High Lift Blades 3 per Mower	
15.	890-200C	MWR BLD 5/16 X 25SD LL CW	Optional Low Lift Blades 3 per Mower	
15.	890-698C	MWR BLD MULCH 1/4X25SD CW	Optional Mulch Blades 3 per Mower	
16.	804-110C	WASHER BLADE 2ODX.56THKX.51ID		Rev. 2
16.	310-043D	REP BY 804-110C		Rev 1; Use up stock
17.	802-384C	HFS 1/2-20X1 1/4 GR5		
18.	803-115C	NUT HEX 7/16-20 PLT		
19.	804-014C	WASHER LOCK 7/16 PLT		
20.	315-563D	IDLER PULLEY SPACER-SHORT		
21.	808-129C	FLAT IDLER PULLEY 6 O.D.		
22.	816-141C	V-BELT B173 175.9 E.L. KEVLAR		
23.	802-281C	HHCS 5/8-11X2 3/4 GR5		
24.	808-128C	B-GROOVE IDLER PULLEY 6.25 OD		
25.	802-229C	HHCS 7/16-20X1 1/2 GR8		
26.	805-017C	PIN COTTER 3/16 X 1 3/4 PLT		
27.	8.2.2.01144	NUT M 24 X 2		
28.	804-029C	WASHER FLAT 1 SAE PLT		
29.	808-335C	B-GROOVE PULLEY 11" CAST-IRON	(S/N 343620+)	Rev. 2
29.	808-126C	B-GROOVE DRIVE PULLEY 11 O.D.	(S/N 343619-)	Rev. 1
30.	310-331D	KEY 1/4" X 11/16" LONG		
31.	817-050C	GEARBOX SHAFT PROTECTOR		
32.	826-204C	REP BY 826-326C	(S/N 204085+)	Rev. 2 not compat. w/Rev. 1
32.	826-085C	RPBY 826-204C & 826-206C	(S/N 204084-)	Rev. 1
33.	803-022C	NUT HEX 5/8-18 PLT		
34.	804-022C	WASHER LOCK SPRING 5/8 PLT		
35.	315-103H	CW BELT TAKE-UP HANDLE		
36.	802-239C	HHCS 5/8-18X2 1/2 GR5		
37.	817-028C	DOUBLE DISK ARM PIVOT BUSHINGS		
38.	826-140C	PTO CAT 2 X 24.02 NO CLUTCH		
39.	310-300D	BLADE HUB		
40.	310-361D	BLADE SPINDLE SHAFT		
41.	822-006C	BEARING 206		
42.	310-224D	BLADE HUB- MACH.-90		
43.	808-127C	B-GROOVE DRIVE PULLEY 6 O.D.	FDR1560 S/N 360678+; FDR 1572 S/N 360653+	Rev. 2
43.	808-075C	B-GROOVE PULLEY 5 O.D.	FDR1560 S/N 360677-; FDR1572 S/N 360652-	Rev. 1
44.	172-242D	1/4 SQ. KEY X 7/8 LG		

Belt Drive (S/N 212180-) (continued)

Applies to FDR1572

Ref	Part No.	Part Description	Comments	Revision
45.	803-114C	NUT LOCK 3/4-16 NYLOC COLLAR		
46.	800-075C	ZERK 5/16-24 STRAIGHT #1711B		
47.	310-176D	72 CENTER GREASE TUBE		
47.	310-312D	LUBE FITTING 3" EXTENSION		
48.	804-093C	WASHER FLAT 3/4 HARD ASTM F436	(S/N 174548+)	Rev. 2
48.	804-025C	WASHER FLAT 3/4 SAE PLT	(S/N 174547-)	Rev 1; Use up stock
49.	822-161C	BEARING 6206 W/ METAL SHIELD	(S/N 174548+)	Rev. 2
49.	822-006C	BEARING 206	(S/N 174547-)	Rev 1; Use up stock

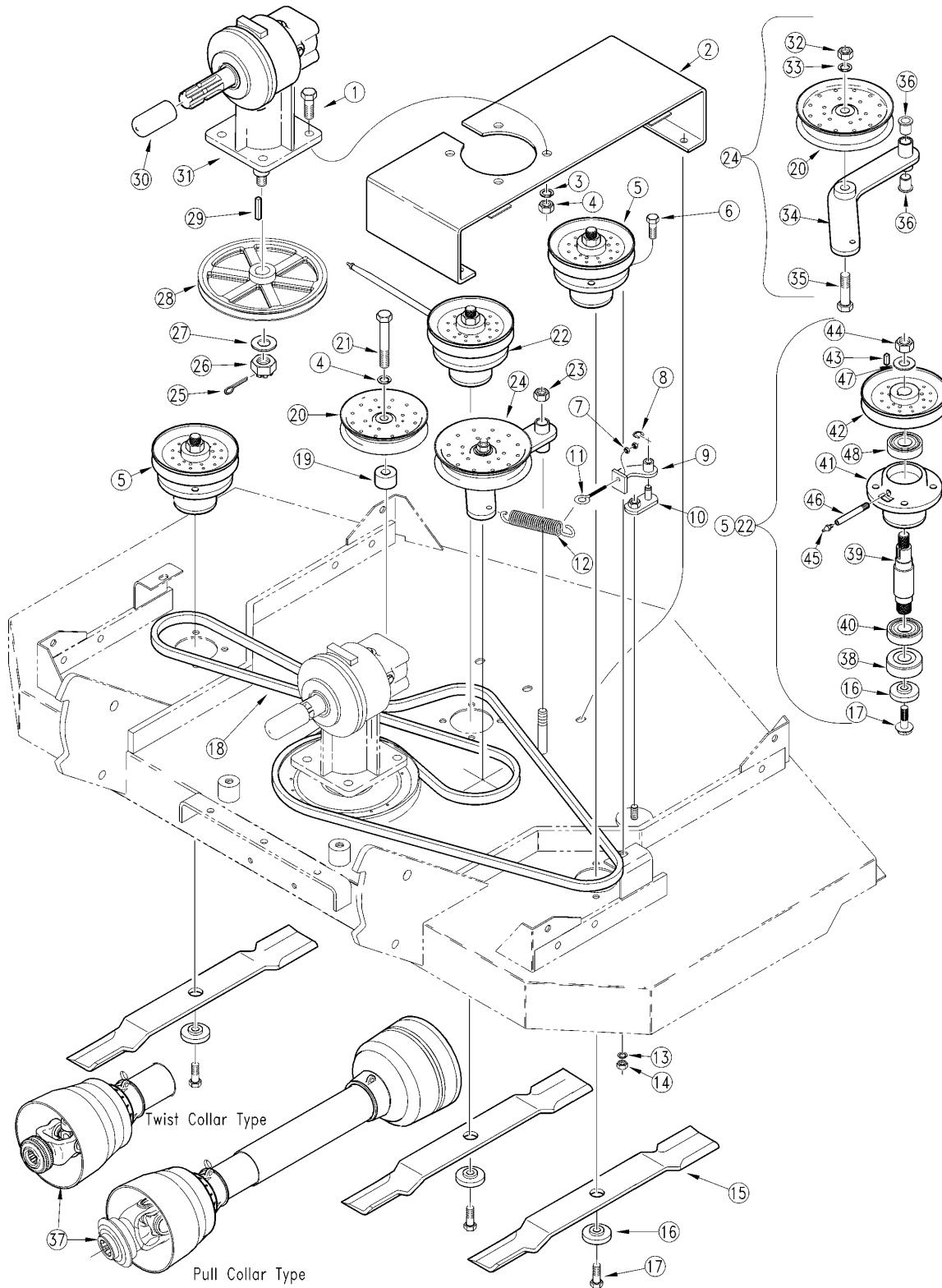
Belt Drive (S/N 212180-) (continued)

Applies to FDR1572

This Page Intentionally Left Blank

Belt Drive (S/N 212180-)

Applies to FDR1560



13593

Belt Drive (S/N 212180-)**Applies to FDR1560**

Ref	Part No.	Part Description	Comments	Revision
	dwg13593	Drawing Image Number		
1.	802-246C	HHCS 5/8-18X1 3/4 GR5		
2.	310-201H	FDR1560 GEAR BOX CHANNEL WELD		
3.	804-022C	WASHER LOCK SPRING 5/8 PLT		
4.	803-022C	NUT HEX 5/8-18 PLT		
5.	310-132S	CW SPDLE HUB ASSY 5"PULL 3"TB		
6.	802-229C	HHCS 7/16-20X1 1/2 GR8		
7.	803-014C	NUT HEX 3/8-16 PLT	(S/N 174815+)	Rev. 2 not compat. w/Rev. 1
7.	803-006C	NUT HEX 1/4-20 PLT	(S/N 174814-)	Rev. 1
8.	800-099C	SNAP RING EXT 7/16		
9.	310-094H	OVER-CENTER LATCH-90		
10.	310-095H	SPRING EYE-BOLT BRACKET		
11.	802-567C	SP EYE 3/8-16X4	(S/N 174815+)	Rev. 2 not compat. w/Rev. 1
11.	802-233C	SP EYE 1/4-20X2 3/4	(S/N 174814-)	Rev. 1
12.	807-068C	SPRING EXT BELT HANDLE		
13.	804-014C	WASHER LOCK 7/16 PLT		
14.	803-115C	NUT HEX 7/16-20 PLT		
15.	890-375C	MWR BLD 1/4 X 20 29/32SD ML CW	Standard Medium Lift Blades 3 per Mower	
15.	890-171C	MWR BLD 1/4 X 20 29/32SD HL CW	Optional High Lift Blades 3 per Mower	
15.	890-204C	MWR BLD 5/16X20 29/32SD LL CW	Optional Low Lift Blades 3 per Mower	
15.	890-702C	MWR BLD MULCH 1/4X20.91SD CW	Optional Mulch Blades 3 per Mower	
16.	804-110C	WASHER BLADE 2ODX.56THKX.51ID		Rev. 2
16.	310-043D	REP BY 804-110C		Rev 1; Use up stock
17.	802-384C	HFS 1/2-20X1 1/4 GR5		
18.	816-116C	V-BELT B136 138.9 E.L. KEVLAR		
19.	315-563D	IDLER PULLEY SPACER-SHORT		
20.	808-073C	FLAT IDLE PULLEY 6 1/4 O.D.		
21.	802-281C	HHCS 5/8-11X2 3/4 GR5		
22.	310-139S	CW SPDLE HUB ASSY 5"PULL 9.8TB		
23.	803-119C	NUT LOCK 5/8-18 NYLOK COLLAR P		
24.	315-248S	40168 CW BELT TAKE-UP HANDLE		
25.	805-017C	PIN COTTER 3/16 X 1 3/4 PLT		
26.	8.2.2.01144	NUT M 24 X 2		
27.	804-029C	WASHER FLAT 1 SAE PLT		
28.	808-335C	B-GROOVE PULLEY 11" CAST-IRON	(S/N 343620+)	Rev. 2
28.	808-126C	B-GROOVE DRIVE PULLEY 11 O.D.	(S/N 343619-)	Rev. 1
29.	310-331D	KEY 1/4" X 11/16" LONG		
30.	817-050C	GEARBOX SHAFT PROTECTOR		
31.	826-204C	REP BY 826-326C	(S/N 204085+)	Rev. 2 not compat. w/Rev. 1
31.	826-085C	GBOX 1:2.83SU 1 3/8-6 CW	(S/N 204084-)	Rev. 1
32.	803-022C	NUT HEX 5/8-18 PLT		
33.	804-022C	WASHER LOCK SPRING 5/8 PLT		
34.	315-103H	CW BELT TAKE-UP HANDLE		
35.	802-239C	HHCS 5/8-18X2 1/2 GR5		
36.	817-028C	DOUBLE DISK ARM PIVOT BUSHINGS		
37.	826-107C	PTO CAT2 X 19 7/8 NO CLUTCH		
38.	310-300D	BLADE HUB		
39.	310-361D	BLADE SPINDLE SHAFT		
40.	822-006C	BEARING 206		
41.	310-224D	BLADE HUB- MACH.-90		
42.	808-127C	B-GROOVE DRIVE PULLEY 6 O.D.	FDR1560 S/N 360678+; FDR 1572 S/N 360653+	Rev. 2
42.	808-075C	B-GROOVE PULLEY 5 O.D.	FDR1560 S/N 360677-; FDR1572 S/N 360652-	Rev. 1
43.	172-242D	1/4 SQ. KEY X 7/8 LG		
44.	803-114C	NUT LOCK 3/4-16 NYLOC COLLAR		

Belt Drive (S/N 212180-) (continued)

Applies to FDR1560

Ref	Part No.	Part Description	Comments	Revision
45.	800-075C	ZERK 5/16-24 STRAIGHT #1711B		
46.	310-176D	72 CENTER GREASE TUBE		
46.	310-312D	LUBE FITTING 3" EXTENSION		
47.	804-093C	WASHER FLAT 3/4 HARD ASTM F436	(S/N 174548+)	Rev. 2
47.	804-025C	WASHER FLAT 3/4 SAE PLT	(S/N 174547-)	Rev 1; Use up stock
48.	822-161C	BEARING 6206 W/ METAL SHIELD	(S/N 174548+)	Rev. 2
48.	822-006C	BEARING 206	(S/N 174547-)	Rev 1; Use up stock

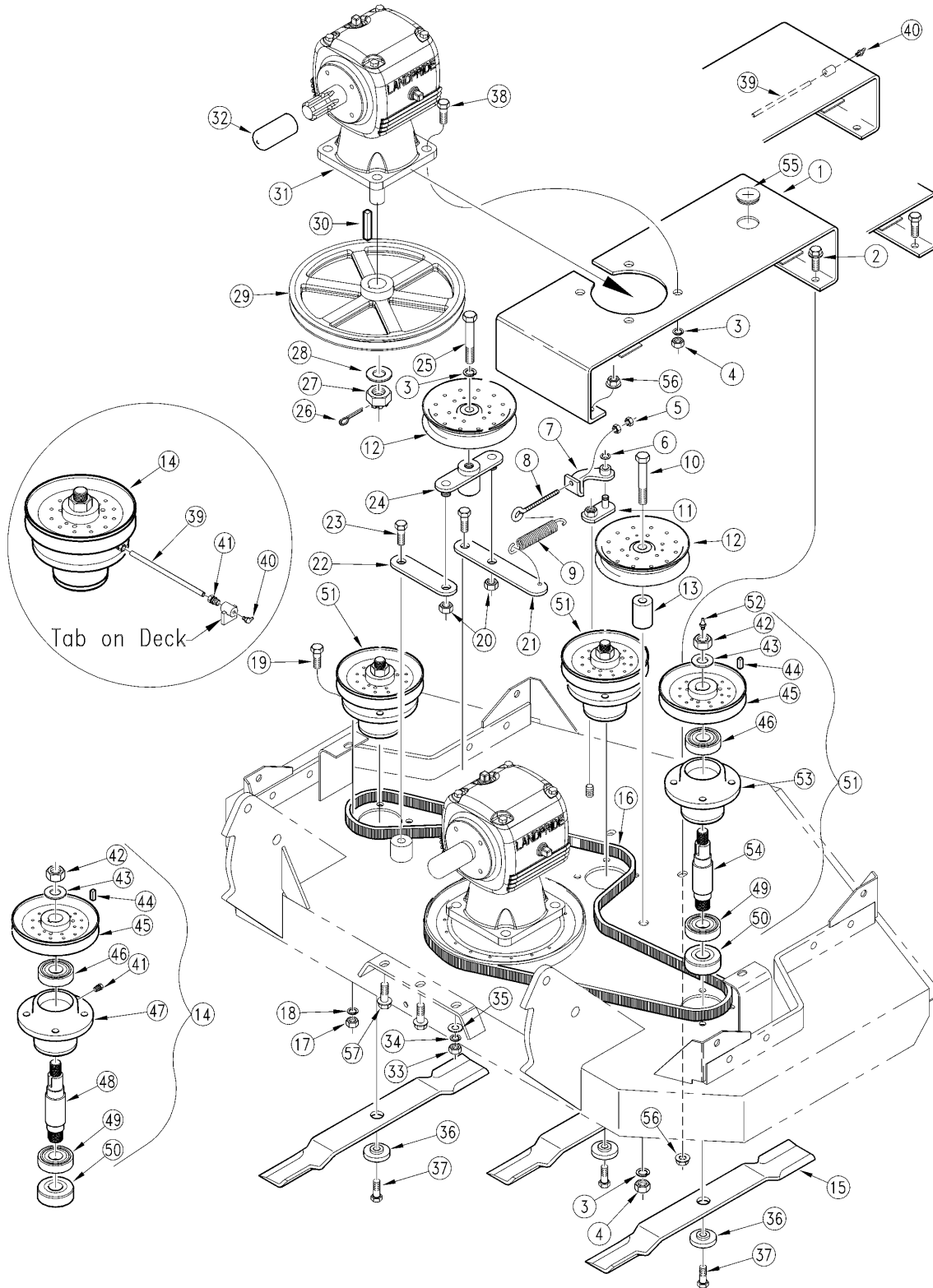
Belt Drive (S/N 212180-) (continued)

Applies to FDR1560

This Page Intentionally Left Blank

Belt Drive (S/N 212181+)

Applies to FDR1548



16497

Belt Drive (S/N 212181+)**Applies to FDR1548**

Ref	Part No.	Part Description	Comments	Revision
	dwg16497	Drawing Image Number		
1.	315-406H	FDR1548 GEARBOX CHANNEL WLDMNT	(S/N 239292+)	Rev. 2 not compat. w/Rev. 1
1.	310-183H	GEAR BOX CHANNEL FDR1548	(S/N 239291-)	Rev. 1
2.	802-203C	HFSS 1/2-13X1 1/2 GR5	(S/N 286330+)	Rev. 2 not compat. w/Rev. 1
2.	802-091C	HHCS 1/2-13X1 1/2 GR5	(S/N 286329-)	Rev. 1
3.	804-022C	WASHER LOCK SPRING 5/8 PLT		
4.	803-022C	NUT HEX 5/8-18 PLT		
5.	803-014C	NUT HEX 3/8-16 PLT		
6.	800-099C	SNAP RING EXT 7/16		
7.	310-095H	SPRING EYE-BOLT BRACKET		
8.	802-567C	SP EYE 3/8-16X4		
9.	807-068C	SPRING EXT BELT HANDLE		
10.	802-237C	HHCS 5/8-18X4 GR5		
11.	310-094H	OVER-CENTER LATCH-90		
12.	808-073C	FLAT IDLE PULLEY 6 1/4 O.D.		
13.	310-051D	IDLER SPACER		
14.	315-375S	CW SPINDLE HUB ASSEMBLY 5"	(S/N 239291-)	
15.	890-219C	MWR BLD 1/4X16 7/8SD HL CW	Standard High Lift	
15.	890-325C	MWR BLD 1/4X16 7/8SD ML CW	Optional Medium Lift	
15.	890-323C	MWR BLD 1/4X16 7/8SD LL CW	Optional Low Lift	
15.	890-700C	MWR BLD MULCH 1/4X16.87SD CW	Optional Mulch Blades	
16.	816-142C	V-BELT B93 95.75 E.L. KEVLAR		
17.	803-115C	NUT HEX 7/16-20 PLT		
18.	804-014C	WASHER LOCK 7/16 PLT		
19.	802-229C	HHCS 7/16-20X1 1/2 GR8		
20.	803-024C	NUT LOCK 5/8-11 PLT		
21.	310-353D	IDLER LINK BAR LONG		
22.	310-354D	IDLER LINK BAR SHORT		
23.	802-228C	HHCS 5/8-11X1 1/2 GR5 NYL		
24.	310-165H	IDLER MOUNT BAR		
25.	802-051C	HHCS 5/8-11X1 1/2 GR5		
26.	805-017C	PIN COTTER 3/16 X 1 3/4 PLT		
27.	8.2.2.01144	NUT M 24 X 2		
28.	804-029C	WASHER FLAT 1 SAE PLT		
29.	808-336C	B-GROOVE PULLEY 12" CAST-IRON	(S/N 343620 +)	Rev. 2
29.	808-182C	B-GROOVE DRIVE PULLEY 12 OD	(S/N 343619 -)	Rev. 1
30.	310-331D	KEY 1/4" X 11/16" LONG		
31.	826-367C	GBOX MOWER FDR16 1:2.8 REV.	(S/N 372831+)	Rev. 3
31.	826-326C	GBOX MOWER 50 HP 1:2.8 CW	(S/N 344460 <-> S/N 372830)	Rev. 2
31.	826-204C	RPBY 826-326C	(S/N 204085 <-> S/N 215623) (S/N 217025 <-> S/N 344459)	Rev 1; Use up stock
31.	826-206C	RC-25 1:2.8 CW 90 BOX(RC25HR)	(S/N 215624 <-> S/N 217024)	Rev 1; Use up stock
32.	817-050C	GEARBOX SHAFT PROTECTOR	(S/N 220346-)	
33.	803-020C	NUT HEX 1/2-13 PLT	(S/N 286329-)	
34.	804-015C	WASHER LOCK SPRING 1/2 PLT	(S/N 286329-)	
35.	804-016C	WASHER FLAT 1/2 SAE PLT	(S/N 286329-)	
36.	804-110C	WASHER BLADE 2ODX.56THKX.51ID		
37.	802-695C	HFS 1/2-20X2 GR8	(S/N 329661+)	Rev. 2 not compat. w/Rev. 1
37.	802-384C	HFS 1/2-20X1 1/4 GR5	(S/N 329660-)	Rev. 1
38.	802-246C	HHCS 5/8-18X1 3/4 GR5		
39.	990-109R	TUBE NYLON 1/4OD X 062WL		
40.	800-193C	GREASE ZERK 1/8NPT 45-DEG		
41.	800-157C	FTG TUBE,CONNECTOR 1/8 MNPT		
42.	803-114C	NUT LOCK 3/4-16 NYLOC COLLAR		
43.	804-093C	WASHER FLAT 3/4 HARD ASTM F436		
44.	172-242D	1/4 SQ. KEY X 7/8 LG		
45.	808-075C	B-GROOVE PULLEY 5 O.D.		
46.	822-161C	BEARING 6206 W/ METAL SHIELD		

Belt Drive (S/N 212181+) (continued)

Applies to FDR1548

Ref	Part No.	Part Description	Comments	Revision
47.	310-224D	BLADE HUB - MACH	(S/N 239291-)	
48.	310-361D	BLADE SPINDLE SHAFT	(S/N 239291-)	
49.	822-006C	BEARING 206		
50.	310-300D	BLADE HUB - 7/8		
51.	310-248S	CW TG SPINDLE HUB ASSY 5" PULL	(S/N 239292+)	
52.	800-001C	GREASE ZERK STRAIGHT 1/4-28	(S/N 239292+)	
53.	310-457D	BLADE HUB MACHINED TOP GREASE	(S/N 239292+)	
54.	310-630D	BLADE SPINDLE SHAFT CW TG	(S/N 329661+)	Rev. 2 not compat. w/Rev. 1
54.	310-454D	RPBY 310-349S	(S/N 239292 <-> 329660)	Rev. 1
55.	816-298C	RUBBER PLUG 1 3/8 W/CROSS SLIT	(S/N 239292+)	
56.	803-037C	NUT HEX WHIZ 1/2-13 PLT	(S/N 286330+)	
57.	802-203C	HFSS 1/2-13X1 1/2 GR5	(S/N 286330+)	

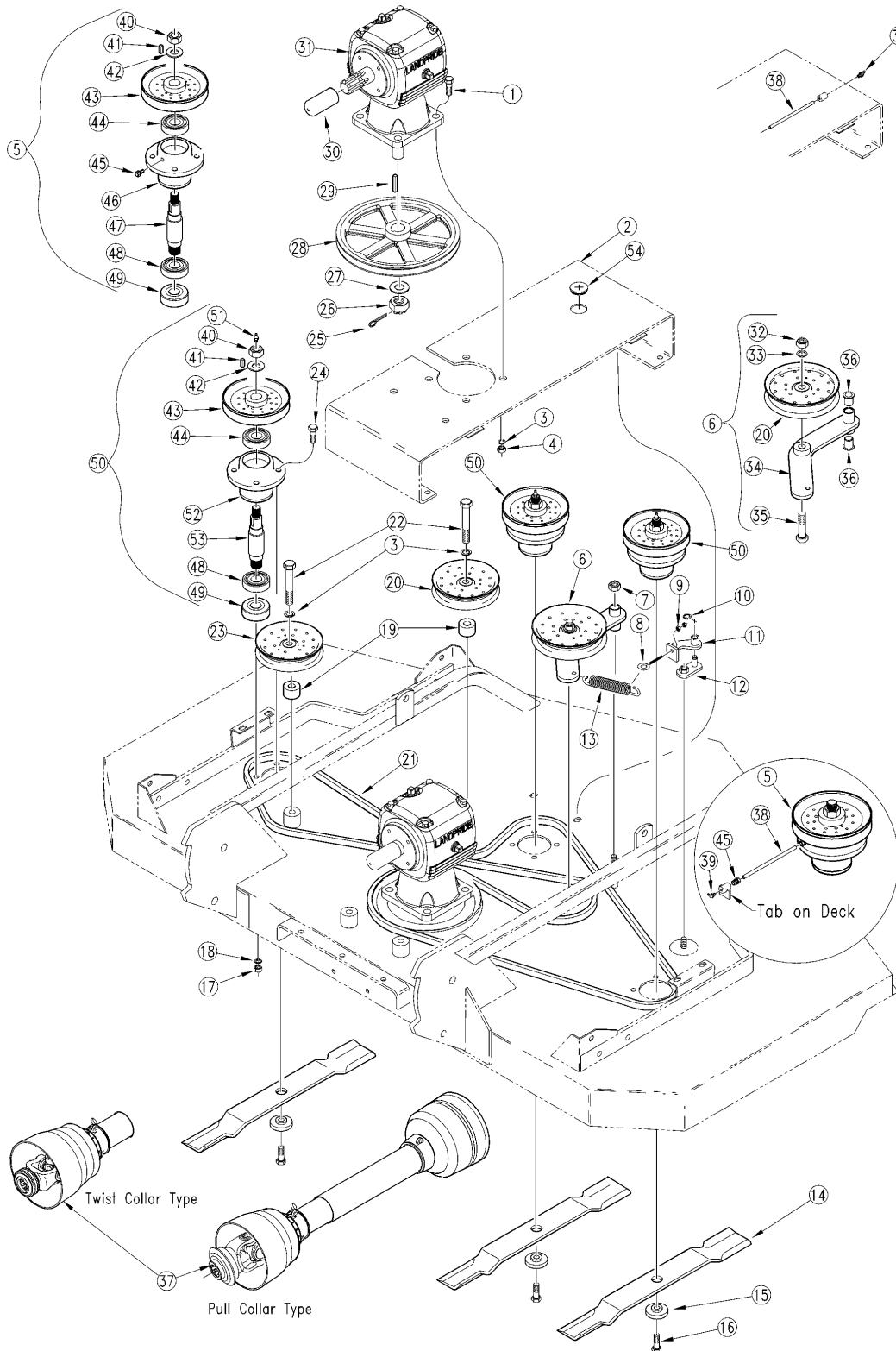
Belt Drive (S/N 212181+) (continued)

Applies to FDR1548

This Page Intentionally Left Blank

Belt Drive (S/N 212181+)

Applies to FDR1572



16485

Belt Drive (S/N 212181+)**Applies to FDR1572**

Ref	Part No.	Part Description	Comments	Revision
	dwg16485	Drawing Image Number		
1.	802-246C	HHCS 5/8-18X1 3/4 GR5		
2.	315-408H	FDR1572 GEARBOX CHANNEL WLDMNT	(S/N 241352+)	Rev. 2 not compat. w/Rev. 1
2.	310-195H	FDR1572 GEAR BOX CHANNEL WELD	(S/N 241351-)	Rev. 1
3.	804-022C	WASHER LOCK SPRING 5/8 PLT		
4.	803-022C	NUT HEX 5/8-18 PLT		
5.	315-378S	CW SPINDLE HUB ASSEMBLY 6IN.		
6.	315-075S	AFM BELT TAKE UP HANDLE ASSY		
7.	803-119C	NUT LOCK 5/8-18 NYLOK COLLAR P		
8.	802-567C	SP EYE 3/8-16X4		
9.	803-014C	NUT HEX 3/8-16 PLT		
10.	800-099C	SNAP RING EXT 7/16		
11.	310-095H	SPRING EYE-BOLT BRACKET		
12.	310-094H	OVER-CENTER LATCH-90		
13.	807-068C	SPRING EXT BELT HANDLE		
14.	890-318C	MWR BLD 1/4 X 25SD ML CW	Standard Medium Lift Blades 3 per Mower	
14.	890-172C	MWR BLD 1/4 X 25SD HL CW	Optional High Lift Blades 3 per Mower	
14.	890-200C	MWR BLD 5/16 X 25SD LL CW	Optional Low Lift Blades 3 per Mower	
14.	890-698C	MWR BLD MULCH 1/4X25SD CW	Optional Mulch Blades 3 per Mower	
15.	804-110C	WASHER BLADE 2ODX.56THKX.51ID		
16.	802-695C	HFS 1/2-20X2 GR8	(S/N 329661+)	Rev. 2 not compat. w/Rev. 1
16.	802-384C	HFS 1/2-20X1 1/4 GR5	(S/N 329660-)	Rev. 1
17.	803-115C	NUT HEX 7/16-20 PLT		
18.	804-014C	WASHER LOCK 7/16 PLT		
19.	315-563D	IDLER PULLEY SPACER-SHORT		
20.	808-129C	FLAT IDLER PULLEY 6 O.D.		
21.	816-141C	V-BELT B173 175.9 E.L. KEVLAR		
22.	802-281C	HHCS 5/8-11X2 3/4 GR5		
23.	808-128C	B-GROOVE IDLER PULLEY 6.25 OD		
24.	802-229C	HHCS 7/16-20X1 1/2 GR8		
25.	805-017C	PIN COTTER 3/16 X 1 3/4 PLT		
26.	8.2.2.01144	NUT M 24 X 2		
27.	804-029C	WASHER FLAT 1 SAE PLT		
28.	808-335C	B-GROOVE PULLEY 11" CAST-IRON	(S/N 343620+)	Rev. 2
28.	808-126C	B-GROOVE DRIVE PULLEY 11 O.D.	(S/N 343619-)	Rev. 1
29.	310-331D	KEY 1/4" X 11/16" LONG		
30.	817-050C	GEARBOX SHAFT PROTECTOR	(S/N 220346-)	
31.	826-367C	GBOX MOWER FDR16 1:2.8 REV.	(S/N 372831+)	Rev. 3
31.	826-326C	GBOX MOWER 50 HP 1:2.8 CW	(S/N 341832 <-> S/N372830)	Rev. 2 not compat. w/Rev. 1
31.	826-204C	RPBY 826-326C	(S/N 341831-)	Rev. 1
32.	803-022C	NUT HEX 5/8-18 PLT		
33.	804-022C	WASHER LOCK SPRING 5/8 PLT		
34.	315-103H	CW BELT TAKE-UP HANDLE		
35.	802-239C	HHCS 5/8-18X2 1/2 GR5		
36.	817-028C	DOUBLE DISK ARM PIVOT BUSHINGS		
37.	826-140C	PTO CAT 2 X 24.02 NO CLUTCH		
38.	990-109R	TUBE NYLON 1/4OD X 062WL	(S/N 239291-)	
39.	800-193C	GREASE ZERK 1/8NPT 45-DEG	(S/N 239291-)	
40.	803-114C	NUT LOCK 3/4-16 NYLOC COLLAR		
41.	172-242D	1/4 SQ. KEY X 7/8 LG		
42.	804-093C	WASHER FLAT 3/4 HARD ASTMF436		
43.	808-127C	B-GROOVE DRIVE PULLEY 6 O.D.		
44.	822-161C	BEARING 6206 W/ METAL SHIELD		
45.	800-157C	FTG TUBE,CONNECTOR 1/8 MNPT	(S/N 239291-)	
46.	310-224D	BLADE HUB - MACH	(S/N 239291-)	
47.	310-361D	BLADE SPINDLE SHAFT	(S/N 239291-)	

Belt Drive (S/N 212181+) (continued)

Applies to FDR1572

Ref	Part No.	Part Description	Comments	Revision
48.	822-006C	BEARING 206		
49.	310-300D	BLADE HUB - 7/8		
50.	310-249S	CW TG SPINDLE HUB ASSY 6" PULL	(S/N 241352+)	
51.	800-001C	GREASE ZERK STRAIGHT 1/4-28	(S/N 241352+)	
52.	310-457D	BLADE HUB MACHINED TOP GREASE	(S/N 241352+)	
53.	310-630D	BLADE SPINDLE SHAFT CW TG	(S/N 329661+)	Rev. 2 not compat. w/Rev. 1
53.	310-454D	RPBY 310-349S	(S/N 241352 <-> 329660)	Rev. 1
54.	816-298C	RUBBER PLUG 1 3/8 W/CROSS SLIT	(S/N 241352+)	

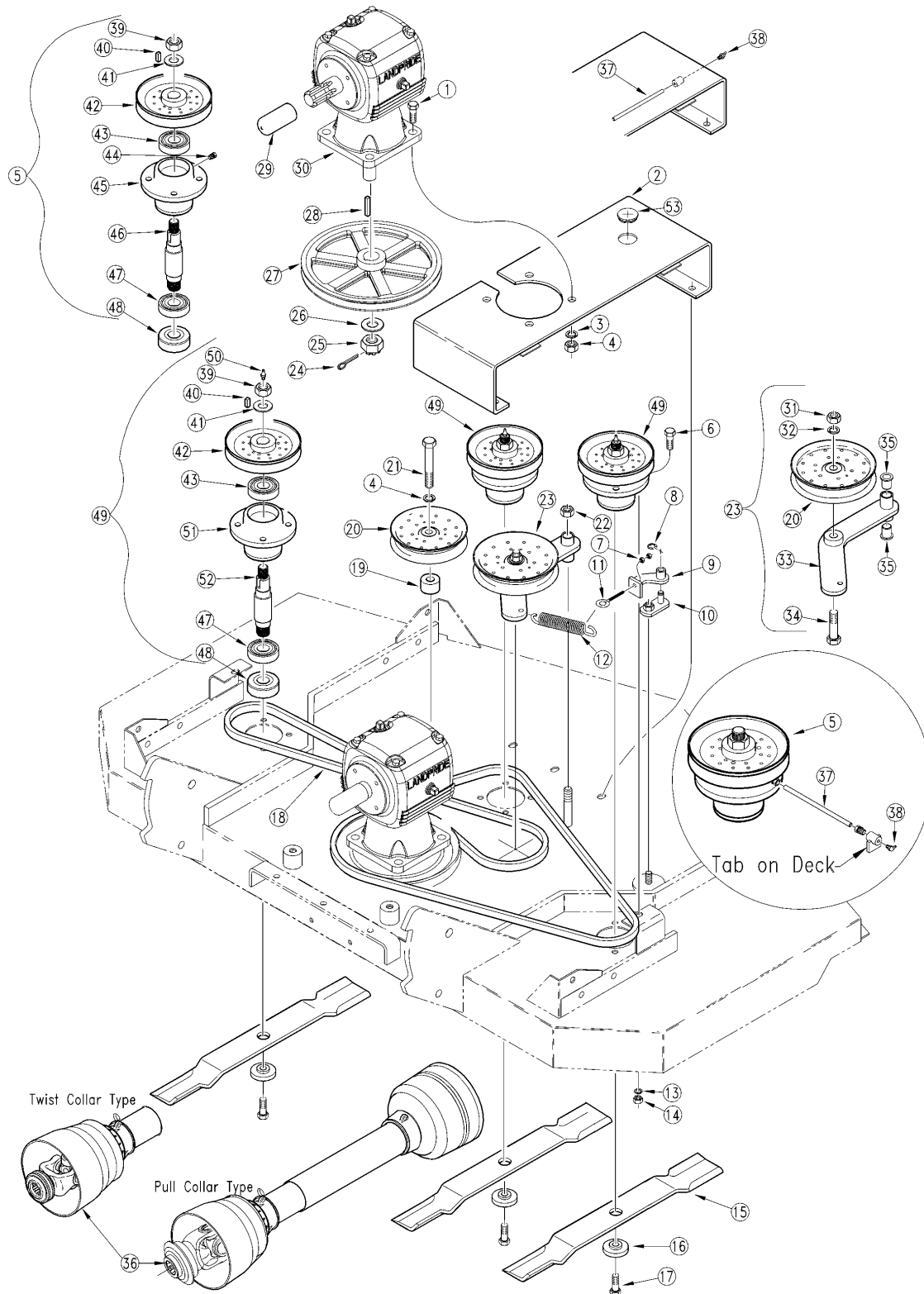
Belt Drive (S/N 212181+) (continued)

Applies to FDR1572

This Page Intentionally Left Blank

Belt Drive (S/N 212181+)

Applies to FDR1560



16484

Belt Drive (S/N 212181+)**Applies to FDR1560**

Ref	Part No.	Part Description	Comments	Revision
	dwg16484	Drawing Image Number		
1.	802-246C	HHCS 5/8-18X1 3/4 GR5		
2.	315-407H	FDR1560 GEARBOX CHANNEL WLDMNT		Rev. 2 not compat. w/Rev. 1
2.	310-201H	FDR1560 GEAR BOX CHANNEL WELD		Rev. 1
3.	804-022C	WASHER LOCK SPRING 5/8 PLT		
4.	803-022C	NUT HEX 5/8-18 PLT		
5.	315-375S	CW SPINDLE HUB ASSEMBLY 5IN.	(S/N 239291-)	
6.	802-229C	HHCS 7/16-20X1 1/2 GR8		
7.	803-014C	NUT HEX 3/8-16 PLT		
8.	800-099C	SNAP RING EXT 7/16		
9.	310-095H	SPRING EYE-BOLT BRACKET		
10.	310-094H	OVER-CENTER LATCH-90		
11.	802-567C	SP EYE 3/8-16X4		
12.	807-068C	SPRING EXT BELT HANDLE		
13.	804-014C	WASHER LOCK 7/16 PLT		
14.	803-115C	NUT HEX 7/16-20 PLT		
15.	890-375C	MWR BLD 1/4 X 20 29/32SD ML CW	Standard Medium Lift Blades 3 per Mower	
15.	890-171C	MWR BLD 1/4 X 20 29/32SD HL CW	Optional High Lift Blades 3 per Mower	
15.	890-204C	MWR BLD 5/16X20 29/32SD LL CW	Optional Low Lift Blades 3 per Mower	
15.	890-702C	MWR BLD MULCH 1/4X20.91SD CW	Optional Mulch Blades 3 per Mower	
16.	804-110C	WASHER BLADE 2ODX.56THKX.51ID		
17.	802-695C	HFS 1/2-20X2 GR8	(S/N 329661+)	Rev. 2 not compat. w/Rev. 1
17.	802-384C	HFS 1/2-20X1 1/4 GR5	(S/N 329660-)	Rev. 1
18.	816-116C	V-BELT B136 138.9 E.L. KEVLAR		
19.	315-563D	IDLER PULLEY SPACER-SHORT		
20.	808-073C	FLAT IDLE PULLEY 6 1/4 O.D.		
21.	802-281C	HHCS 5/8-11X2 3/4 GR5		
22.	803-119C	NUT LOCK 5/8-18 NYLOK COLLAR P		
23.	315-248S	40168 CW BELT TAKE-UP HANDLE		
24.	805-017C	PIN COTTER 3/16 X 1 3/4 PLT		
25.	8.2.2.01144	NUT M 24 X 2		
26.	804-029C	WASHER FLAT 1 SAE PLT		
27.	808-335C	B-GROOVE PULLEY 11" CAST-IRON	(S/N 343620+)	Rev. 2
27.	808-126C	B-GROOVE DRIVE PULLEY 11 O.D.	(S/N 343619-)	Rev. 1
28.	310-331D	KEY 1/4" X 11/16" LONG		
29.	817-050C	GEARBOX SHAFT PROTECTOR	(S/N 220346-)	
30.	826-367C	GBOX MOWER FDR16 1:2.8 REV.	(S/N 372831+)	Rev. 3
30.	826-326C	GBOX MOWER 50 HP 1:2.8 CW	(S/N 341832 <-> S/N 372830)	Rev. 2 not compat. w/Rev. 1
30.	826-204C	RPBY 826-326C	(S/N 341831-)	Rev. 1
31.	803-022C	NUT HEX 5/8-18 PLT		
32.	804-022C	WASHER LOCK SPRING 5/8 PLT		
33.	315-103H	CW BELT TAKE-UP HANDLE		
34.	802-239C	HHCS 5/8-18X2 1/2 GR5		
35.	817-028C	DOUBLE DISK ARM PIVOT BUSHINGS		
36.	826-107C	PTO CAT2 X 19 7/8 NO CLUTCH		
37.	990-109R	TUBE NYLON 1/4OD X 062WL	(S/N 239291-)	
38.	800-193C	GREASE ZERK 1/8NPT 45-DEG	(S/N 239291-)	
39.	803-114C	NUT LOCK 3/4-16 NYLOC COLLAR		
40.	172-242D	1/4 SQ. KEY X 7/8 LG		
41.	804-093C	WASHER FLAT 3/4 HARD ASTMF436		
42.	808-075C	B-GROOVE PULLEY 5 O.D.		
43.	822-161C	BEARING 6206 W/ METAL SHIELD		
44.	800-157C	FTG TUBE,CONNECTOR 1/8 MNPT	(S/N 239291-)	
45.	310-224D	BLADE HUB - MACH	(S/N 239291-)	
46.	310-361D	BLADE SPINDLE SHAFT	(S/N 239291-)	
47.	822-006C	BEARING 206		

Belt Drive (S/N 212181+) (continued)

Applies to FDR1560

Ref	Part No.	Part Description	Comments	Revision
48.	310-300D	BLADE HUB - 7/8		
49.	310-248S	CW TG SPINDLE HUB ASSY 5" PULL	(S/N 239292+)	
50.	800-001C	GREASE ZERK STRAIGHT 1/4-28	(S/N 239292+)	
51.	310-457D	BLADE HUB MACHINED TOP GREASE	(S/N 239292+)	
52.	310-630D	BLADE SPINDLE SHAFT CW TG	(S/N 329661+)	Rev. 2 not compat. w/Rev. 1
52.	310-454D	RPBY 310-349S	(S/N 239292 <-> 329660)	Rev. 1
53.	816-298C	RUBBER PLUG 1 3/8 W/CROSS SLIT	(S/N 239292+)	

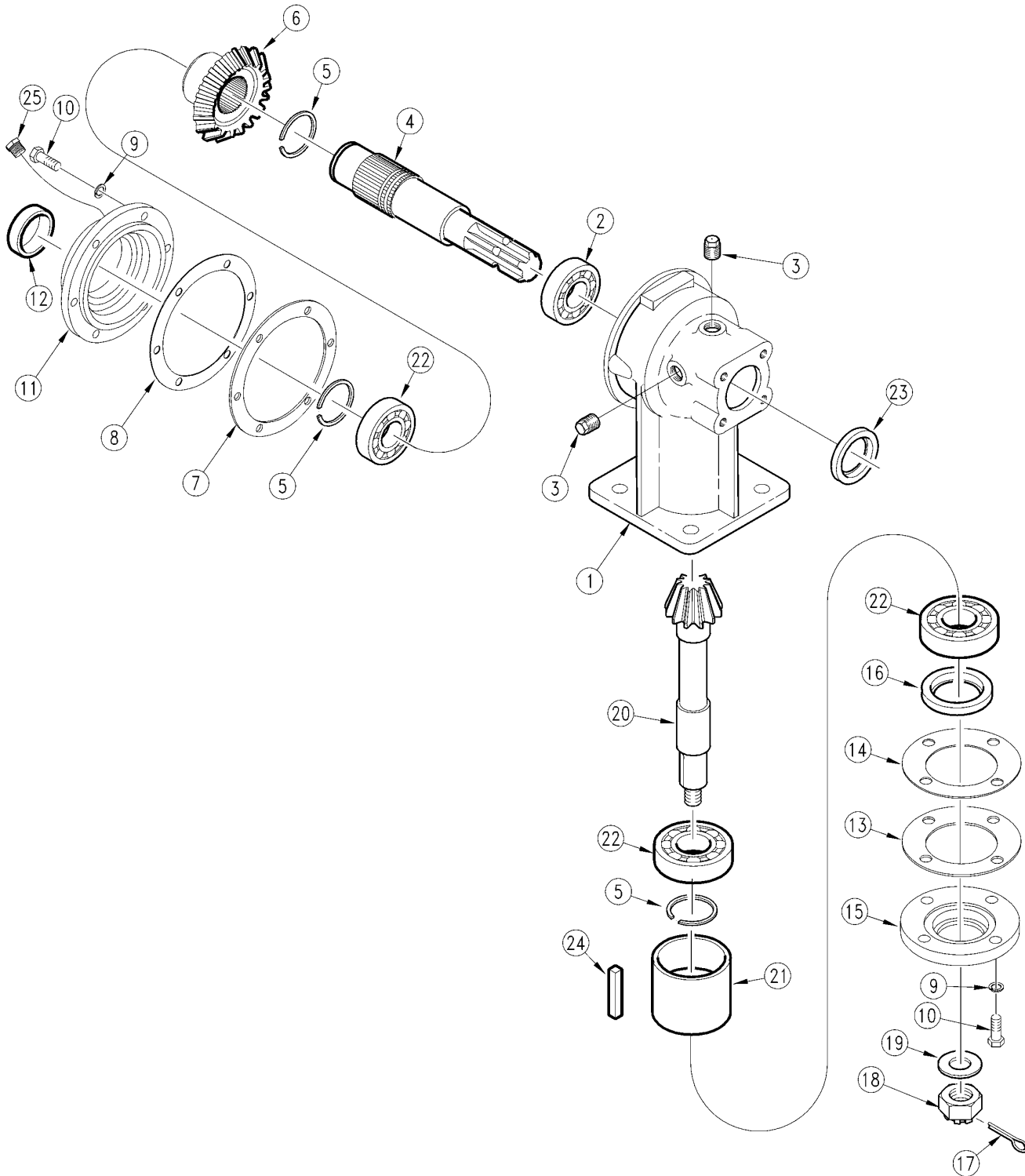
Belt Drive (S/N 212181+) (continued)

Applies to FDR1560

This Page Intentionally Left Blank

Gearbox (826-085C) IEG

Applies to FDR1548



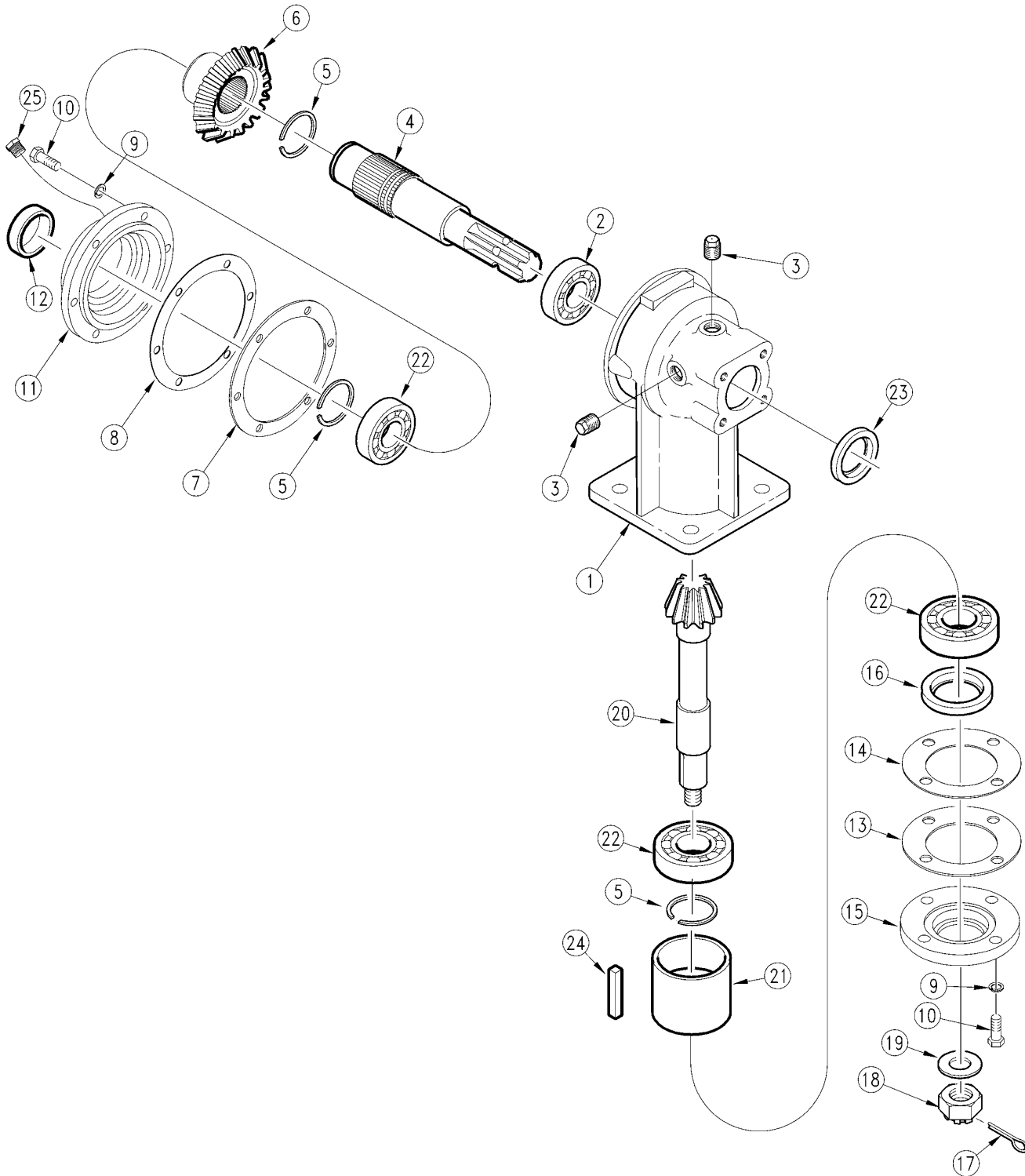
13996

Gearbox (826-085C) IEG**Applies to FDR1548**

Ref	Part No.	Part Description	Comments	Revision
	dwg13996	Drawing Image Number		
	826-085C	RPBY 826-204C & 826-206C		
1.	18-021	ITG GEARBOX HOUSING		
2.	822-166C	BEARING BALL 6207		Rev. 2
3.	04-004	RPBY 822-166C		Rev 1; Use up stock
3.	09-002	ITG 1/2"-14 PIPE PLUG		
4.	02-035	ITG INPUT SHAFT		
5.	21-012	ITG RETAINING RING		
6.	03-043	ITG 34 TOOTH INPUT GEAR		
7.	08-004A	ITG INPUT CAP GASKET 0.25MM		
8.	08-004B	ITG INPUT CAP GASKET 0.10MM		
9.	07-001	ITG M10 LOCKWASHER		
10.	06-012	ITG M10 X 1.5 X 25 CAP SCREW		
11.	20-007	ITG INPUT CAP		
12.	09-009	ITG CAP PLUG		
13.	08-005A	ITG OUTPUT CAP GASKET 0.25MM		
14.	08-005B	ITG OUTPUT CAP GASKET 0.10MM		
15.	20-003	ITG OUTPUT CAP		
16.	05-005	ITG OUTPUT OIL SEAL		
17.	805-017C	PIN COTTER 3/16 X 1 3/4 PLT		
18.	11-007	ITG 1"-14 SLOTTED HEX NUT		
19.	07-005	ITG BLADE HUB WASHER		
20.	03-042	ITG 12 TOOTH OUTPUT PIN & SHFT		
21.	10-002	ITG BEARING SPACER		
22.	822-188C	BALL BEARING 6208		Rev. 3
22.	050007	RPBY 822-188C		Rev 2; Use up stock
22.	04-003	RPBY 050007		Rev 1; Use up stock
23.	05-002	ITG INPUT OIL SEAL		
24.	310-331D	KEY 1/4" X 11/16" LONG		
25.	811-320C	SP SAFETY VALVE 1/8MNPT		

Gearbox (826-085C) ITG

Applies to FDR1560, FDR1572



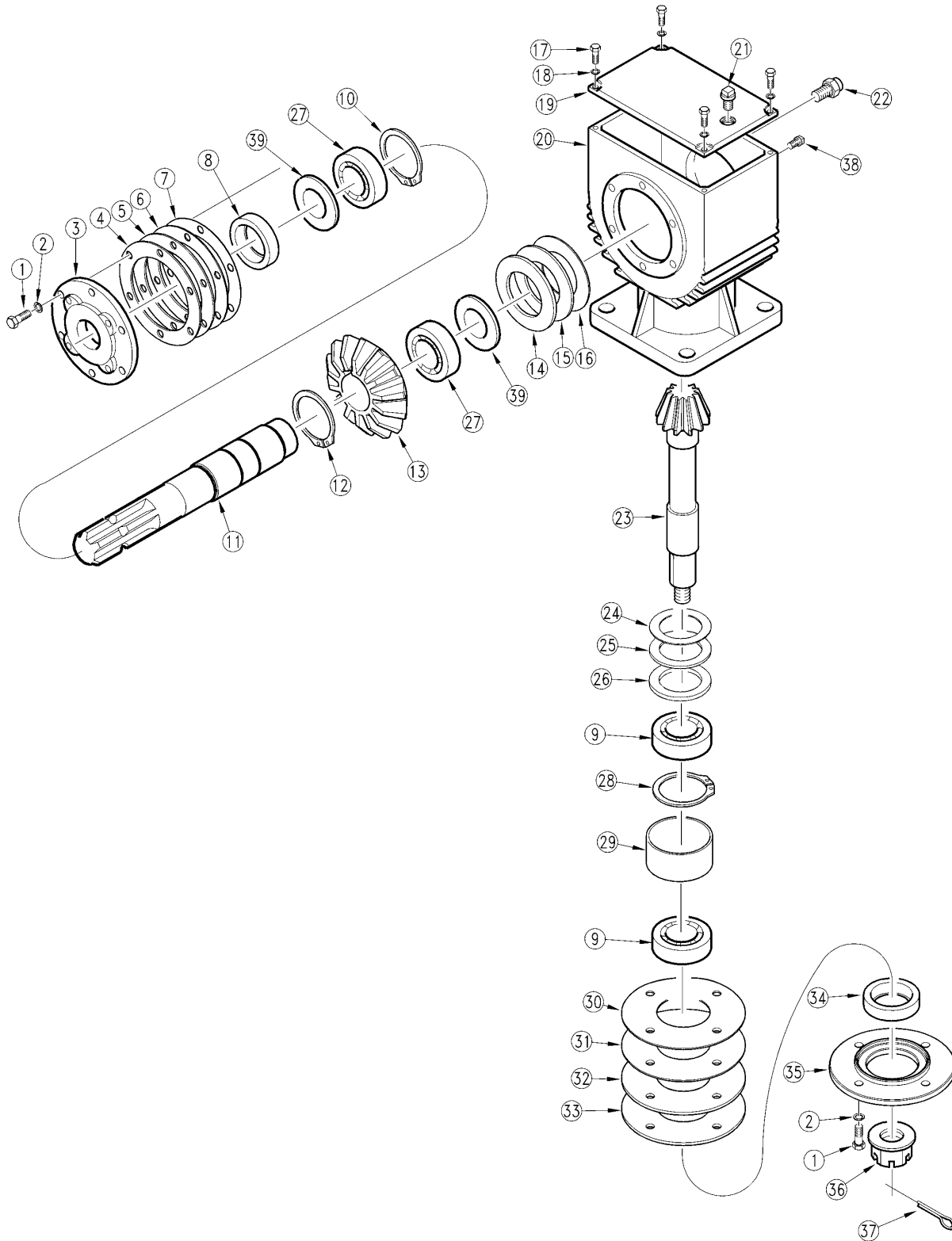
13996

Gearbox (826-085C) ITG**Applies to FDR1560, FDR1572**

Ref	Part No.	Part Description	Comments	Revision
	dwg13996	Drawing Image Number		
	826-085C	RPBY 826-204C & 826-206C		
1.	18-021	ITG GEARBOX HOUSING		
2.	822-166C	BEARING BALL 6207		Rev. 2
3.	04-004	RPBY 822-166C		Rev 1; Use up stock
3.	09-002	ITG 1/2"-14 PIPE PLUG		
4.	02-035	ITG INPUT SHAFT		
5.	21-012	ITG RETAINING RING		
6.	03-043	ITG 34 TOOTH INPUT GEAR		
7.	08-004A	ITG INPUT CAP GASKET 0.25MM		
8.	08-004B	ITG INPUT CAP GASKET 0.10MM		
9.	07-001	ITG M10 LOCKWASHER		
10.	06-012	ITG M10 X 1.5 X 25 CAP SCREW		
11.	20-007	ITG INPUT CAP		
12.	09-009	ITG CAP PLUG		
13.	08-005A	ITG OUTPUT CAP GASKET 0.25MM		
14.	08-005B	ITG OUTPUT CAP GASKET 0.10MM		
15.	20-003	ITG OUTPUT CAP		
16.	05-005	ITG OUTPUT OIL SEAL		
17.	805-017C	PIN COTTER 3/16 X 1 3/4 PLT		
18.	11-007	ITG 1"-14 SLOTTED HEX NUT		
19.	07-005	ITG BLADE HUB WASHER		
20.	03-042	ITG 12 TOOTH OUTPUT PIN & SHFT		
21.	10-002	ITG BEARING SPACER		
22.	822-188C	BALL BEARING 6208		Rev. 3
22.	050007	RPBY 822-188C		Rev 2; Use up stock
22.	04-003	RPBY 050007		Rev 1; Use up stock
23.	05-002	ITG INPUT OIL SEAL		
24.	310-331D	KEY 1/4" X 11/16" LONG		
25.	811-320C	SP SAFETY VALVE 1/8MNPT		

Gearbox (826-204C)

Applies to FDR1560, FDR1572



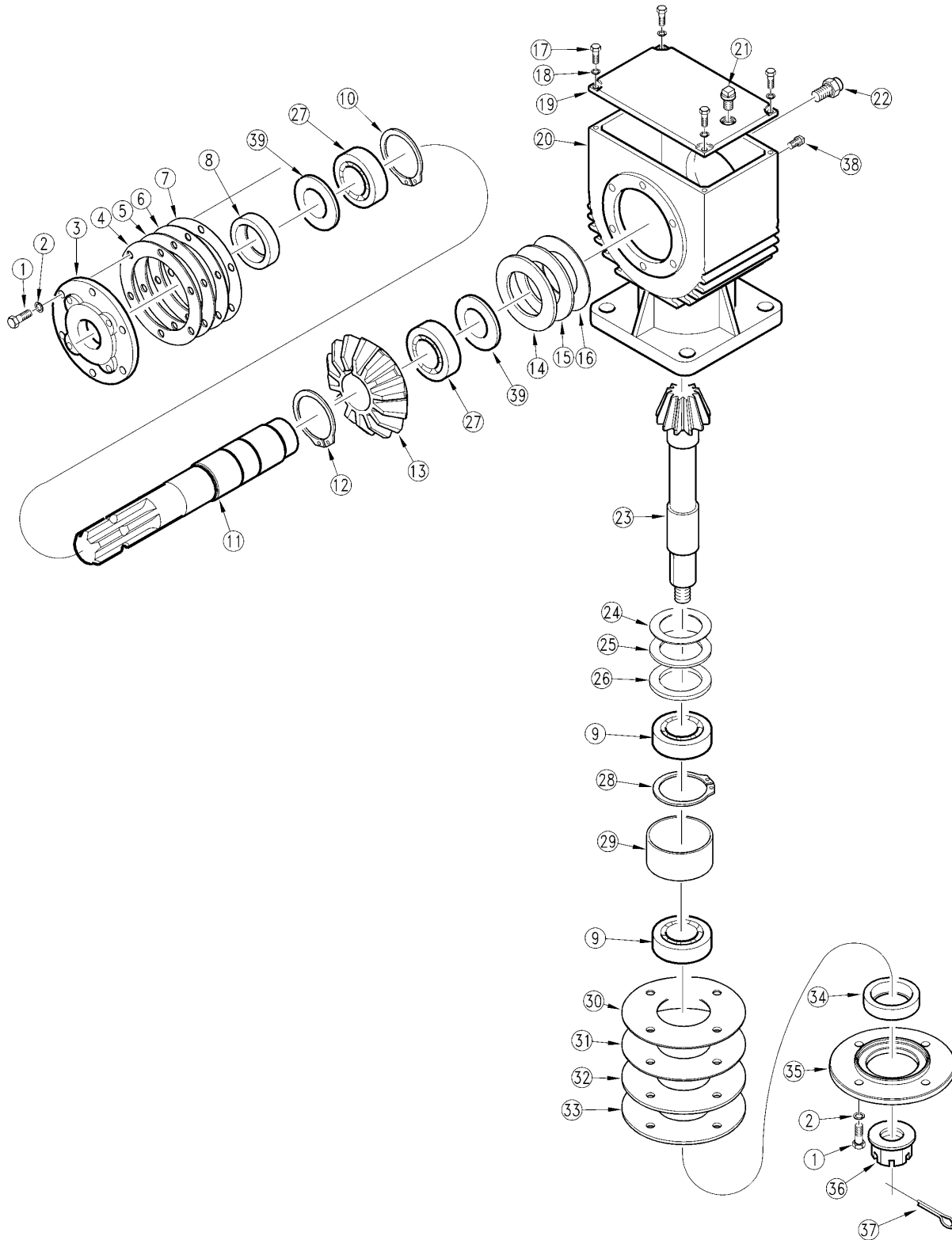
16020

Gearbox (826-204C)**Applies to FDR1560, FDR1572**

Ref	Part No.	Part Description	Comments	Revision
	dwg16020	Drawing Image Number		
	826-204C	RPBY 826-326C		
1.	110192	OMNI SCREW-5/16"-18UNC X 7/8"		
2.	130006	OMNI LOCKWASHR 5/16"SPLIT TYPE		
3.	020224	OMNI CAP-INPUT		
4.	070249	OMNI GASKET-INPUT 0.50MM		
5.	070248	OMNI GASKET-INPUT 0.30MM		
6.	070247	OMNI GASKET-INPUT 0.20MM		
7.	070246	OMNI GASKET-INPUT 0.10MM		
8.	060127	OMNI SEAL-INPUT CR13930		
9.	822-188C	BALL BEARING 6208		Rev. 2
9.	050007	RPBY 822-188C		Rev 1; Use up stock
10.	200140	OMNI RTNG. RING 38MM RC DSH-38		
11.	040335	OMNI SHAFT-INPUT 1-3/8"-6 SPLN		
12.	200141	OMNI RTNG. RING 38MM RC DSH-38		
13.	030461	OMNI GEAR-INPUT 34T		
14.	090181	OMNI SHIM INPUT 0.30MM		
15.	090180	OMNI SHIM INPUT 0.20MM		
16.	090179	OMNI SHIM INPUT 0.10MM		
17.	110009	OMNI SCREW-1/4"-20 UNC X 3/4"		
18.	130028	OMNI LOCKWASHR 1/4" SPLIT TYPE		
19.	240280	OMNI INSPECTION COVER		
20.	010175	OMNI HOUSING-RC-25		
21.	140047	OMNI PLUG SQ.HD.1/2-14NPT W/DP		
22.	140000	OMNI PIPE PLUG 1/2' SQ HEAD	(S/N 215411+)	Rev. 2 not compat. w/Rev. 1
22.	140033	OMNI PLUG VENT 1/2-14 NPTF	(S/N 215410-)	Rev. 1
23.	030460	OMNI PINION OUTPUT 12T		
24.	090182	OMNI SHIM OUTPUT 0.10MM		
25.	090183	OMNI SHIM OUTPUT 0.20MM		
26.	090184	OMNI SHIM OUTPUT 0.30MM		
27.	822-166C	BEARING BALL 6207		Rev. 2
27.	050006	RPBY 822-166C		Rev 1; Use up stock
28.	200000	OMNI RETAINING RING		
29.	090190	OMNI SPACER OUTPUT		
30.	070250	OMNI GASKET-OUTPUT 0.10MM		
31.	070251	OMNI GASKET-OUTPUT 0.20MM		
32.	070252	OMNI GASKET-OUTPUT 0.30MM		
33.	070253	OMNI GASKET-OUTPUT 0.50MM		
34.	060128	OMNI SEAL-OUTPUT CR15822		
35.	020225	OMNI CAP-OUTPUT		
36.	120050	OMNI NUT HEX SLOTTED, 1-14UNC		
37.	100001	OMNI COTTER PIN 5 X 50		
38.	140017	OMNI PLUG PIPE SQ HD1/8-27NPTF		
39.	090189	OMNI SPACER INPUT		

Gearbox (826-204C) OMNI

Applies to FDR1548



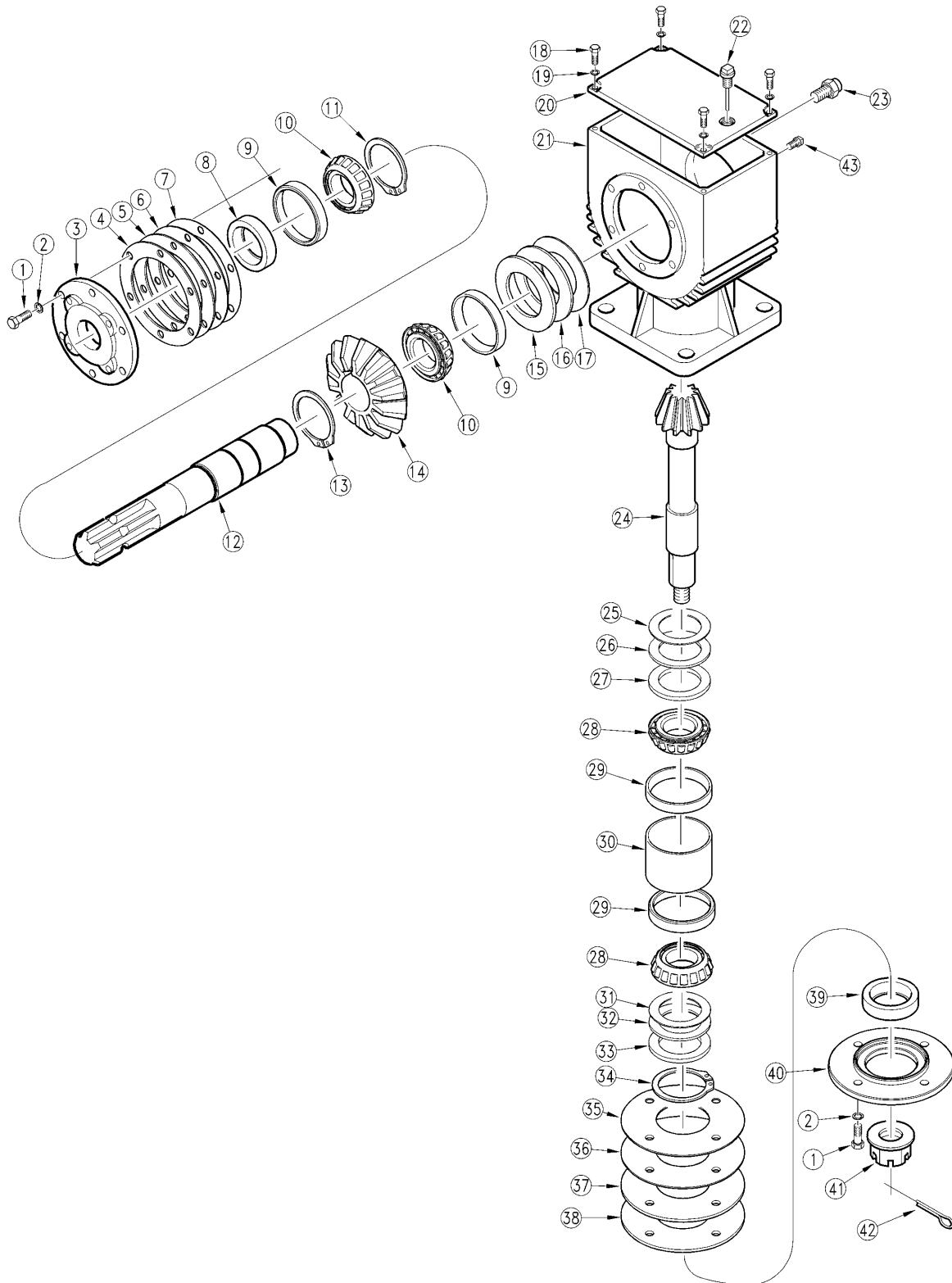
16020

Gearbox (826-204C) OMNI**Applies to FDR1548**

Ref	Part No.	Part Description	Comments	Revision
	dwg16020	Drawing Image Number		
	826-204C	RPBY 826-326C		
1.	110192	OMNI SCREW-5/16"-18UNC X 7/8"		
2.	130006	OMNI LOCKWASHR 5/16"SPLIT TYPE		
3.	020224	OMNI CAP-INPUT		
4.	070249	OMNI GASKET-INPUT 0.50MM	Quantity varies	
5.	070248	OMNI GASKET-INPUT 0.30MM	Quantity varies	
6.	070247	OMNI GASKET-INPUT 0.20MM	Quantity varies	
7.	070246	OMNI GASKET-INPUT 0.10MM	Quantity varies	
8.	060127	OMNI SEAL-INPUT CR13930		
9.	822-188C	BALL BEARING 6208		Rev. 2
9.	050007	RPBY 822-188C		Rev 1; Use up stock
10.	200140	OMNI RTNG. RING 38MM RC DSH-38		
11.	040335	OMNI SHAFT-INPUT 1-3/8"-6 SPLN		
12.	200141	OMNI RTNG. RING 38MM RC DSH-38		
13.	030461	OMNI GEAR-INPUT 34T		
14.	090181	OMNI SHIM INPUT 0.30MM		
15.	090180	OMNI SHIM INPUT 0.20MM		
16.	090179	OMNI SHIM INPUT 0.10MM		
17.	110009	OMNI SCREW-1/4"-20 UNC X 3/4"		
18.	130028	OMNI LOCKWASHR 1/4" SPLIT TYPE		
19.	240280	OMNI INSPECTION COVER		
20.	010175	OMNI HOUSING-RC-25		
21.	140047	OMNI PLUG SQ.HD.1/2-14NPT W/DP		
22.	140000	OMNI PIPE PLUG 1/2' SQ HEAD	(S/N 215411+)	Rev. 2 not compat. w/Rev. 1
22.	140033	OMNI PLUG VENT 1/2-14 NPTF	(S/N 215410-)	Rev. 1
23.	030460	OMNI PINION OUTPUT 12T		
24.	090182	OMNI SHIM OUTPUT 0.10MM		
25.	090183	OMNI SHIM OUTPUT 0.20MM		
26.	090184	OMNI SHIM OUTPUT 0.30MM		
27.	822-166C	BEARING BALL 6207		Rev. 2
27.	050006	RPBY 822-166C		Rev 1; Use up stock
28.	200000	OMNI RETAINING RING		
29.	090190	OMNI SPACER OUTPUT		
30.	070250	OMNI GASKET-OUTPUT 0.10MM	Quantity varies	
31.	070251	OMNI GASKET-OUTPUT 0.20MM	Quantity varies	
32.	070252	OMNI GASKET-OUTPUT 0.30MM	Quantity varies	
33.	070253	OMNI GASKET-OUTPUT 0.50MM	Quantity varies	
34.	060128	OMNI SEAL-OUTPUT CR15822		
35.	020225	OMNI CAP-OUTPUT		
36.	120050	OMNI NUT HEX SLOTTED, 1-14UNC		
37.	100001	OMNI COTTER PIN 5 X 50		
38.	140017	OMNI PLUG PIPE SQ HD1/8-27NPTF		
39.	090189	OMNI SPACER INPUT		

Gearbox (826-206C) OMNI

Applies to FDR1548



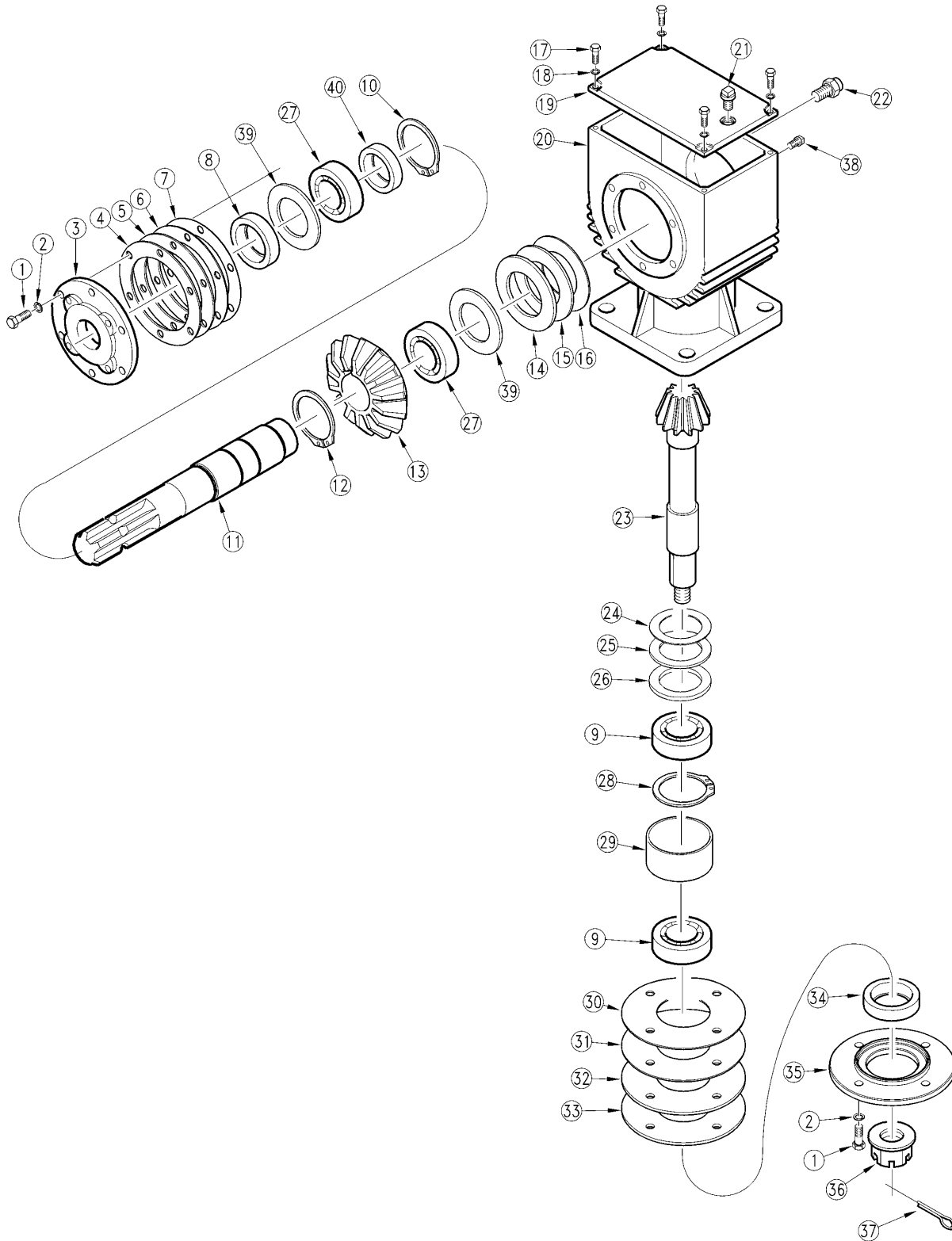
15934

Gearbox (826-206C) OMNI**Applies to FDR1548**

Ref	Part No.	Part Description	Comments	Revision
	dwg15934	Drawing Image Number		
	826-206C	RPBY 826-296C		
1.	110192	OMNI SCREW-5/16"-18UNC X 7/8"		
2.	130006	OMNI LOCKWASHR 5/16"SPLIT TYPE		
3.	020224	OMNI CAP-INPUT		
4.	070249	OMNI GASKET-INPUT 0.50MM	Quantity varies	
5.	070248	OMNI GASKET-INPUT 0.30MM	Quantity varies	
6.	070247	OMNI GASKET-INPUT 0.20MM	Quantity varies	
7.	070246	OMNI GASKET-INPUT 0.10MM	Quantity varies	
8.	060127	OMNI SEAL-INPUT CR13930		
9.	050170	OMNI BEARING CUP 30207		
10.	050172	OMNI BEARING CONE 30207		
11.	200140	OMNI RTNG. RING 38MM RC DSH-38		
12.	040335	OMNI SHAFT-INPUT 1-3/8"-6 SPLN		
13.	200141	OMNI RTNG. RING 38MM RC DSH-38		
14.	030457	OMNI GEAR INPUT, 34T		
15.	090181	OMNI SHIM INPUT 0.30MM		
16.	090180	OMNI SHIM INPUT 0.20MM		
17.	090179	OMNI SHIM INPUT 0.10MM		
18.	110009	OMNI SCREW-1/4"-20 UNC X 3/4"		
19.	130028	OMNI LOCKWASHR 1/4" SPLIT TYPE		
20.	240280	OMNI INSPECTION COVER		
21.	010175	OMNI HOUSING-RC-25		
22.	140047	OMNI PLUG SQ.HD.1/2-14NPT W/DP		
23.	140000	OMNI PIPE PLUG 1/2' SQ HEAD	(S/N 215411+)	Rev. 2 not compat. w/Rev. 1
23.	140033	OMNI PLUG VENT 1/2-14 NPTF	(S/N 215410-)	Rev. 1
24.	030456	OMNI PINION-OUTPUT 12T		
25.	090182	OMNI SHIM OUTPUT 0.10MM		
26.	090183	OMNI SHIM OUTPUT 0.20MM		
27.	090184	OMNI SHIM OUTPUT 0.30MM		
28.	050197	OMNI BEARING CONE 30208		
29.	050195	OMNI BEARING CUP 30208		
30.	090185	OMNI SPACER OUTPUT		
31.	090186	OMNI SHIM OUTPUT 0.10MM		
32.	090187	OMNI SHIM OUTPUT 0.20MM		
33.	090188	OMNI SHIM OUTPUT 0.30MM		
34.	200000	OMNI RETAINING RING		
35.	070250	OMNI GASKET-OUTPUT 0.10MM	Quantity varies	
36.	070253	OMNI GASKET-INPUT 0.50MM	Quantity varies	
37.	070252	OMNI GASKET-INPUT 0.30MM	Quantity varies	
38.	070251	OMNI GASKET-INPUT 0.20MM	Quantity varies	
39.	060128	OMNI SEAL-OUTPUT CR15822		
40.	020225	OMNI CAP-OUTPUT		
41.	120050	OMNI NUT HEX SLOTTED, 1-14UNC		
42.	100001	OMNI COTTER PIN 5 X 50		
43.	140017	OMNI PLUG PIPE SQ HD1/8-27NPTF		

Gearbox (826-294C) OMNI

Applies to FDR1548



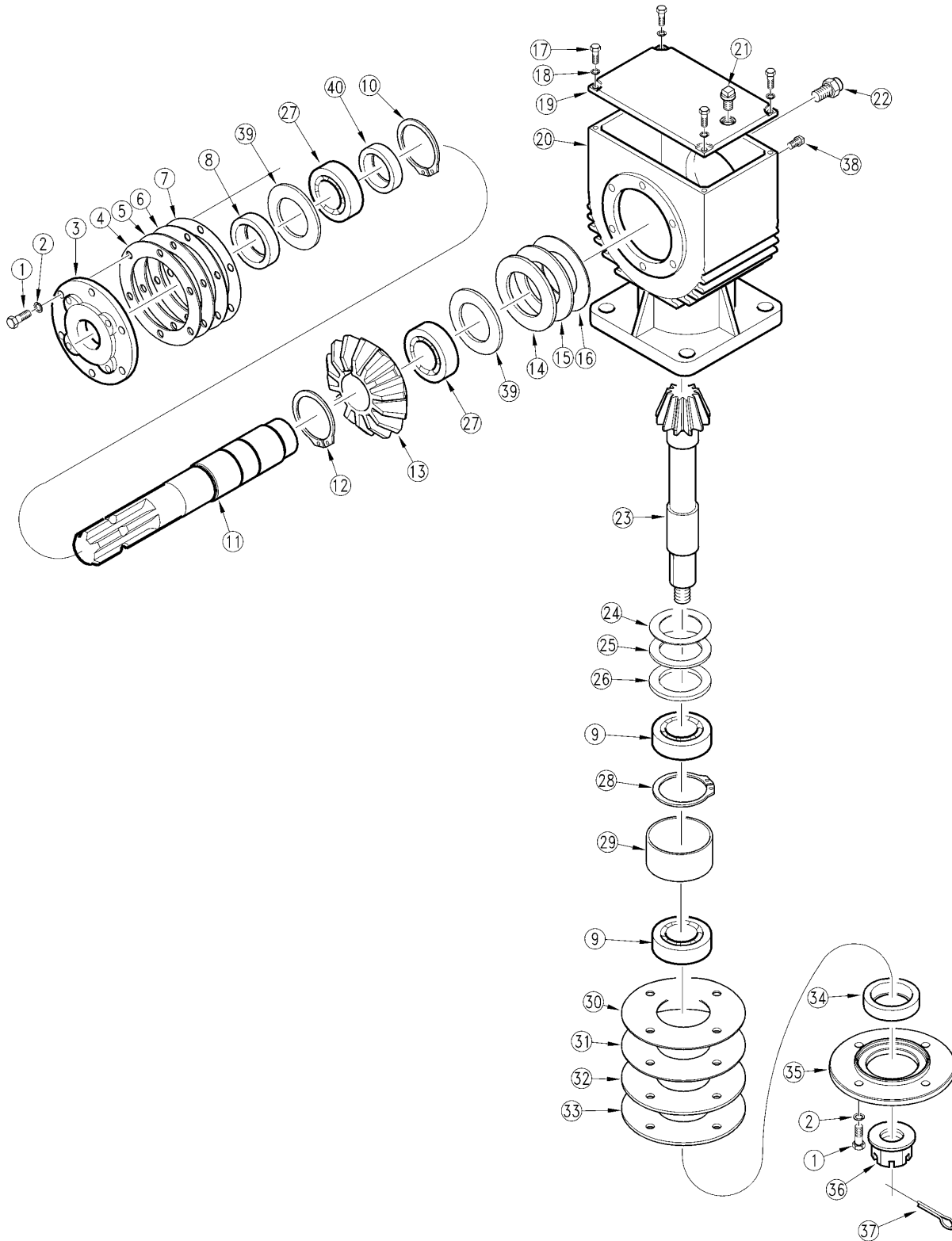
18705

Gearbox (826-294C) OMNI**Applies to FDR1548**

Ref	Part No.	Part Description	Comments	Revision
	dwg18705	Drawing Image Number		
	826-294C	RPBY 826-326C		
1.	110192	OMNI SCREW-5/16"-18UNC X 7/8"		
2.	130006	OMNI LOCKWASHR 5/16"SPLIT TYPE		
3.	020224	OMNI CAP-INPUT		
4.	070249	OMNI GASKET-INPUT 0.50MM		
5.	070248	OMNI GASKET-INPUT 0.30MM		
6.	070247	OMNI GASKET-INPUT 0.20MM		
7.	070246	OMNI GASKET-INPUT 0.10MM		
8.	060127	OMNI SEAL-INPUT CR13930		
9.	822-188C	BALL BEARING 6208		Rev. 2
9.	050007	RPBY 822-188C		Rev 1; Use up stock
10.	200140	OMNI RTNG. RING 38MM RC DSH-38		
11.	040491	OMNI SHAFT INPUT 1 3/8" - 6A		
12.	200141	OMNI RTNG. RING 38MM RC DSH-38		
13.	030461	OMNI GEAR-INPUT 34T		
14.	090181	OMNI SHIM INPUT 0.30MM		
15.	090180	OMNI SHIM INPUT 0.20MM		
16.	090179	OMNI SHIM INPUT 0.10MM		
17.	110009	OMNI SCREW-1/4"-20 UNC X 3/4"		
18.	130028	OMNI LOCKWASHR 1/4" SPLIT TYPE		
19.	240280	OMNI INSPECTION COVER		
20.	010252	OMNI HOUSING RC-25 SERIES		
21.	140000	OMNI PIPE PLUG 1/2' SQ HEAD		
22.	140033	OMNI PLUG VENT 1/2-14 NPTF		
23.	030460	OMNI PINION OUTPUT 12T		
24.	090182	OMNI SHIM OUTPUT 0.10MM		
25.	090183	OMNI SHIM OUTPUT 0.20MM		
26.	090184	OMNI SHIM OUTPUT 0.30MM		
27.	822-166C	BEARING BALL 6207		Rev. 2
27.	050006	RPBY 822-166C		Rev 1; Use up stock
28.	200000	OMNI RETAINING RING		
29.	090190	OMNI SPACER OUTPUT		
30.	070250	OMNI GASKET-OUTPUT 0.10MM		
31.	070251	OMNI GASKET-OUTPUT 0.20MM		
32.	070252	OMNI GASKET-OUTPUT 0.30MM		
33.	070253	OMNI GASKET-OUTPUT 0.50MM		
34.	060128	OMNI SEAL-OUTPUT CR15822		
35.	020225	OMNI CAP-OUTPUT		
36.	120050	OMNI NUT HEX SLOTTED, 1-14UNC		
37.	100001	OMNI COTTER PIN 5 X 50		
38.	140017	OMNI PLUG PIPE SQ HD1/8-27NPTF		
39.	090189	OMNI SPACER INPUT		
40.	090341	OMNI SPACER, INPUT		

Gearbox (826-294C) OMNI

Applies to FDR1560, FDR1572



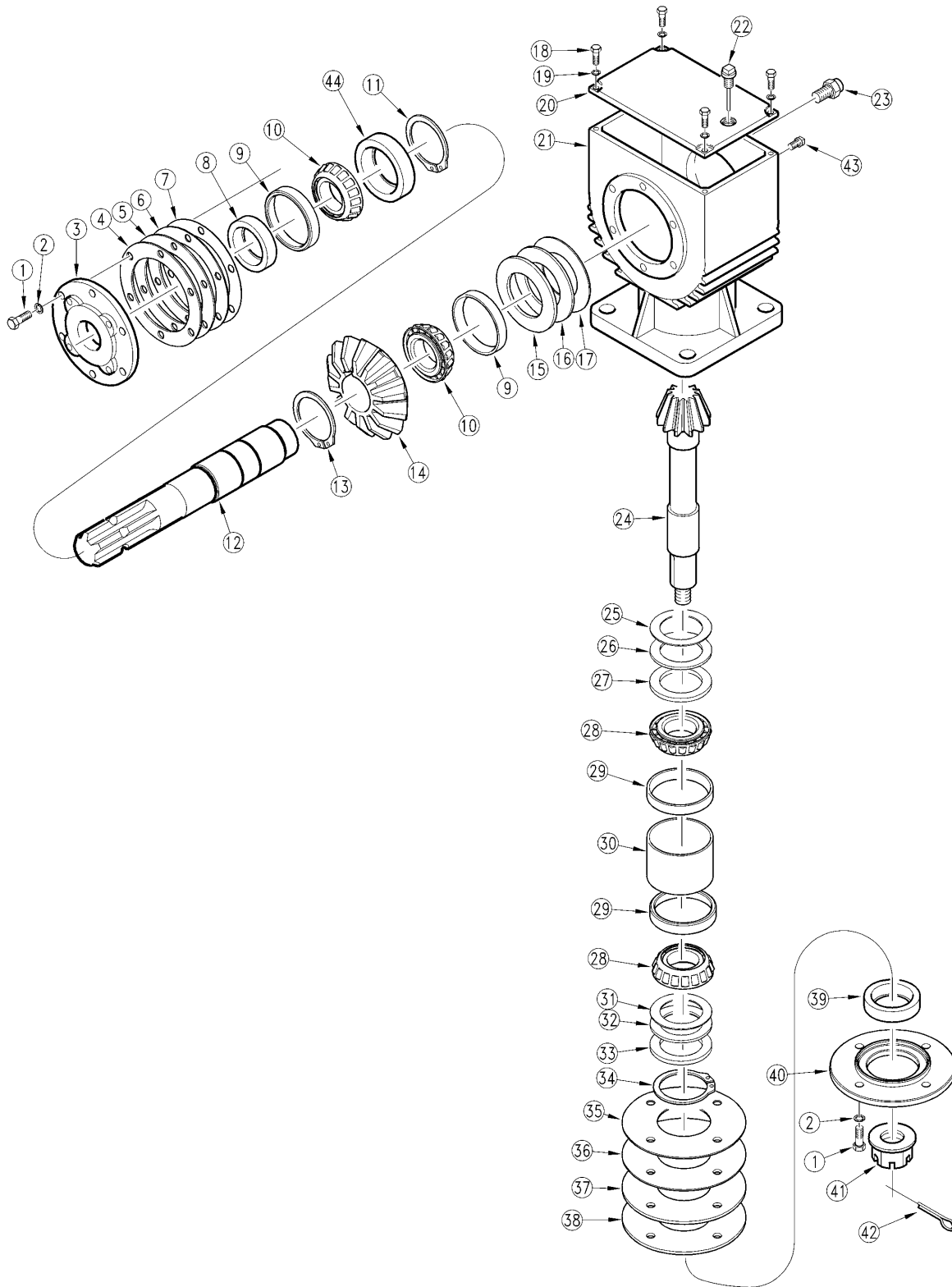
18705

Gearbox (826-294C) OMNI**Applies to FDR1560, FDR1572**

Ref	Part No.	Part Description	Comments	Revision
	dwg18705	Drawing Image Number		
	826-294C	RPBY 826-326C		
1.	110192	OMNI SCREW-5/16"-18UNC X 7/8"		
2.	130006	OMNI LOCKWASHR 5/16"SPLIT TYPE		
3.	020224	OMNI CAP-INPUT		
4.	070249	OMNI GASKET-INPUT 0.50MM		
5.	070248	OMNI GASKET-INPUT 0.30MM		
6.	070247	OMNI GASKET-INPUT 0.20MM		
7.	070246	OMNI GASKET-INPUT 0.10MM		
8.	060127	OMNI SEAL-INPUT CR13930		
9.	822-188C	BALL BEARING 6208		Rev. 2
9.	050007	RPBY 822-188C		Rev 1; Use up stock
10.	200140	OMNI RTNG. RING 38MM RC DSH-38		
11.	040491	OMNI SHAFT INPUT 1 3/8" - 6A		
12.	200141	OMNI RTNG. RING 38MM RC DSH-38		
13.	030461	OMNI GEAR-INPUT 34T		
14.	090181	OMNI SHIM INPUT 0.30MM		
15.	090180	OMNI SHIM INPUT 0.20MM		
16.	090179	OMNI SHIM INPUT 0.10MM		
17.	110009	OMNI SCREW-1/4"-20 UNC X 3/4"		
18.	130028	OMNI LOCKWASHR 1/4" SPLIT TYPE		
19.	240280	OMNI INSPECTION COVER		
20.	010252	OMNI HOUSING RC-25 SERIES		
21.	140000	OMNI PIPE PLUG 1/2' SQ HEAD		
22.	140033	OMNI PLUG VENT 1/2-14 NPTF		
23.	030460	OMNI PINION OUTPUT 12T		
24.	090182	OMNI SHIM OUTPUT 0.10MM		
25.	090183	OMNI SHIM OUTPUT 0.20MM		
26.	090184	OMNI SHIM OUTPUT 0.30MM		
27.	822-166C	BEARING BALL 6207		Rev. 2
27.	050006	RPBY 822-166C		Rev 1; Use up stock
28.	200000	OMNI RETAINING RING		
29.	090190	OMNI SPACER OUTPUT		
30.	070250	OMNI GASKET-OUTPUT 0.10MM		
31.	070251	OMNI GASKET-OUTPUT 0.20MM		
32.	070252	OMNI GASKET-OUTPUT 0.30MM		
33.	070253	OMNI GASKET-OUTPUT 0.50MM		
34.	060128	OMNI SEAL-OUTPUT CR15822		
35.	020225	OMNI CAP-OUTPUT		
36.	120050	OMNI NUT HEX SLOTTED, 1-14UNC		
37.	100001	OMNI COTTER PIN 5 X 50		
38.	140017	OMNI PLUG PIPE SQ HD1/8-27NPTF		
39.	090189	OMNI SPACER INPUT		
40.	090341	OMNI SPACER, INPUT		

Gearbox (826-296C) OMNI

Applies to FDR1548



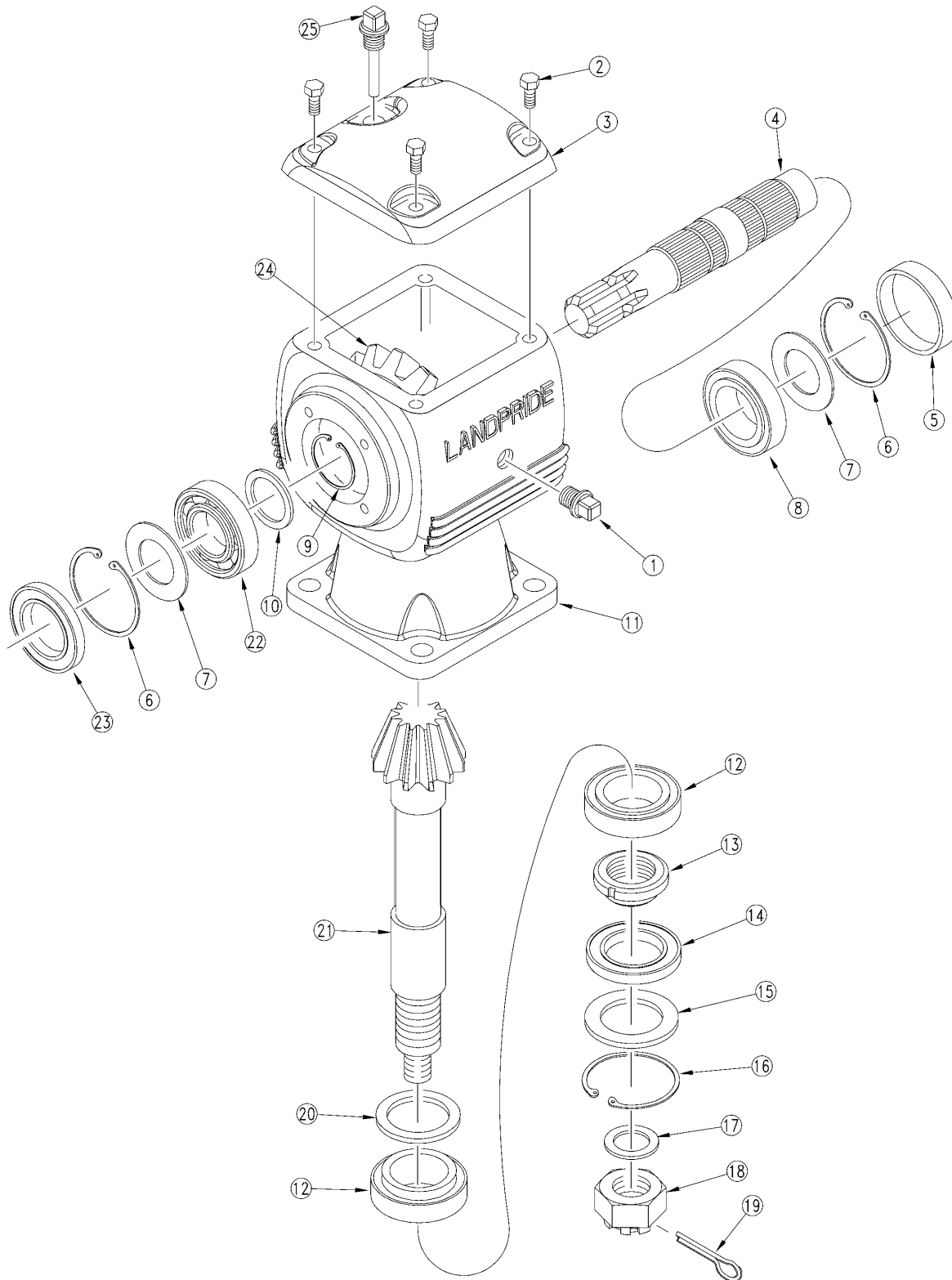
18706

Gearbox (826-296C) OMNI**Applies to FDR1548**

Ref	Part No.	Part Description	Comments	Revision
	dwg18706	Drawing Image Number		
	826-296C	RC-25 1:2.8 CW 90 BOX(RC25HR)		
1.	110192	OMNI SCREW-5/16"-18UNC X 7/8"		
2.	130006	OMNI LOCKWASHR 5/16"SPLIT TYPE		
3.	020224	OMNI CAP-INPUT		
4.	070249	OMNI GASKET-INPUT 0.50MM		
5.	070248	OMNI GASKET-INPUT 0.30MM		
6.	070247	OMNI GASKET-INPUT 0.20MM		
7.	070246	OMNI GASKET-INPUT 0.10MM		
8.	060127	OMNI SEAL-INPUT CR13930		
9.	050170	OMNI BEARING CUP 30207		
10.	050172	OMNI BEARING CONE 30207		
11.	200140	OMNI RTNG. RING 38MM RC DSH-38		
12.	040491	OMNI SHAFT INPUT 1 3/8" - 6A		
13.	200141	OMNI RTNG. RING 38MM RC DSH-38		
14.	030457	OMNI GEAR INPUT, 34T		
15.	090181	OMNI SHIM INPUT 0.30MM		
16.	090180	OMNI SHIM INPUT 0.20MM		
17.	090179	OMNI SHIM INPUT 0.10MM		
18.	110009	OMNI SCREW-1/4"-20 UNC X 3/4"		
19.	130028	OMNI LOCKWASHR 1/4" SPLIT TYPE		
20.	240280	OMNI INSPECTION COVER		
21.	010252	OMNI HOUSING RC-25 SERIES		
22.	140047	OMNI PLUG SQ.HD.1/2-14NPT W/DP		
23.	140000	OMNI PIPE PLUG 1/2' SQ HEAD		
24.	030456	OMNI PINION-OUTPUT 12T		
25.	090182	OMNI SHIM OUTPUT 0.10MM		
26.	090183	OMNI SHIM OUTPUT 0.20MM		
27.	090184	OMNI SHIM OUTPUT 0.30MM		
28.	050197	OMNI BEARING CONE 30208		
29.	050195	OMNI BEARING CUP 30208		
30.	090185	OMNI SPACER OUTPUT		
31.	090186	OMNI SHIM OUTPUT 0.10MM		
32.	090187	OMNI SHIM OUTPUT 0.20MM		
33.	090188	OMNI SHIM OUTPUT 0.30MM		
34.	200000	OMNI RETAINING RING		
35.	070250	OMNI GASKET-OUTPUT 0.10MM		
36.	070251	OMNI GASKET-OUTPUT 0.20MM		
37.	070252	OMNI GASKET-OUTPUT 0.30MM		
38.	070253	OMNI GASKET-OUTPUT 0.50MM		
39.	060128	OMNI SEAL-OUTPUT CR15822		
40.	020225	OMNI CAP-OUTPUT		
41.	120050	OMNI NUT HEX SLOTTED, 1-14UNC		
42.	100001	OMNI COTTER PIN 5 X 50		
43.	140017	OMNI PLUG PIPE SQ HD1/8-27NPTF		
44.	090341	OMNI SPACER, INPUT		

Gearbox (826-326C)

Applies to FDR1560, FDR1572



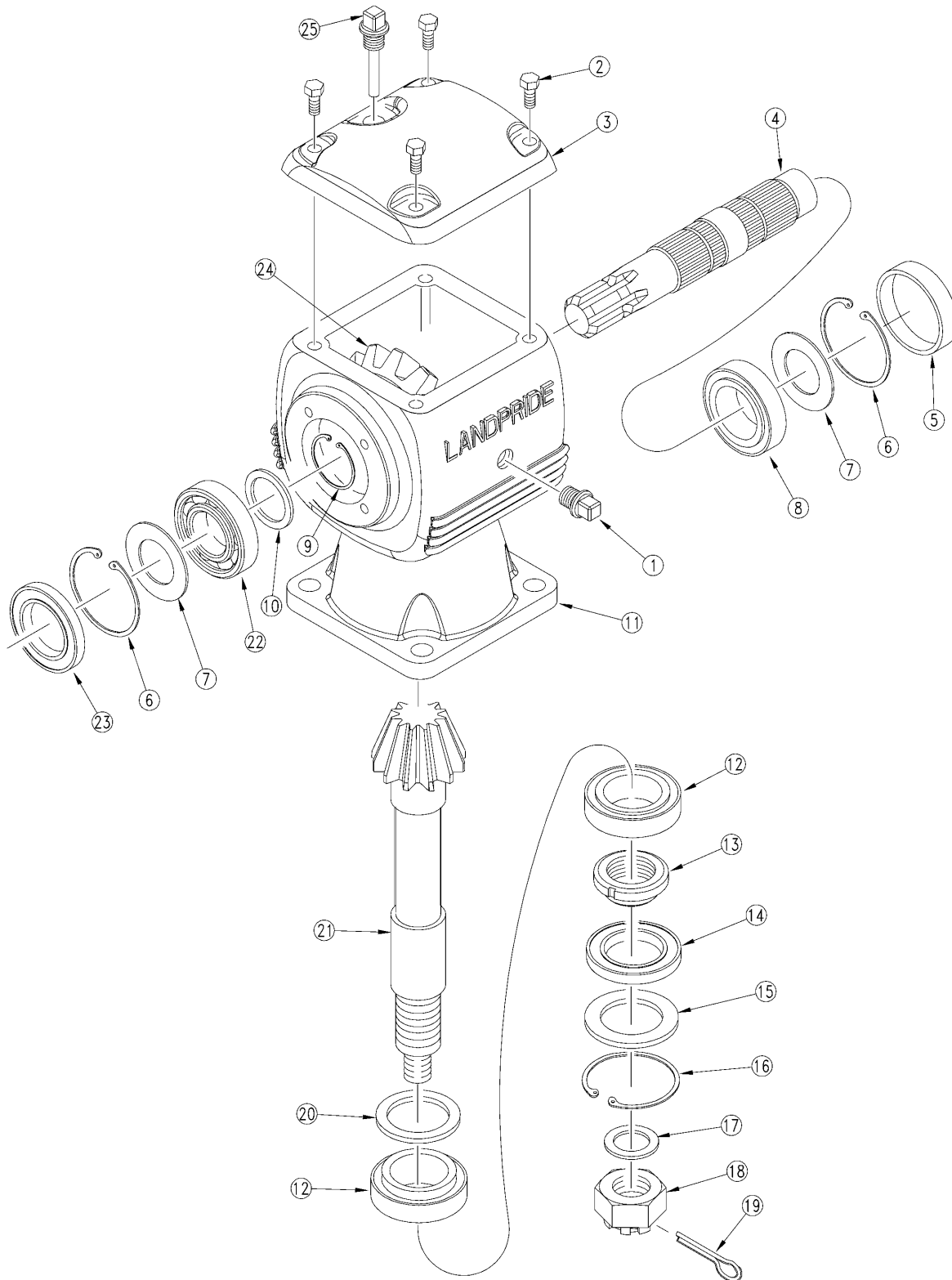
30000

Gearbox (826-326C)**Applies to FDR1560, FDR1572**

Ref	Part No.	Part Description	Comments	Revision
	dwg30000	Drawing Image Number		
	826-326C	RPBY 826-367C		
1.	8.6.5.00006	CO OIL PLUG 3/8		
2.	8.1.1.00501	CO BOLT M8X22 HHB		
3.	0.195.1300.00	CO COVER		
4.	0.195.2000.00	CO INPUT SHAFT 1" 3/8 Z6		
5.	8.7.0.00744	CO CAP 72 X 10		
6.	8.5.2.00131	CO SNAP RING INT 72 UN17437		
7.	A.248.500	COMER SHIM KIT 71.7		
8.	8.0.9.00026	CO ROLLER BEARING 30207 CL-B		
9.	8.5.1.00680	CO SNAP RING 40 UNI 7436		
10.	0.259.7525.00	CO SHIM 35.3 X 48 X 2.5		
11.	0.195.0300.00	CO HOUSING		
12.	8.0.9.00102	CO ROLLER BEARING 32208 CL-B		
13.	0.278.7103.00	CO NUT M40 X 1.5		
14.	8.7.3.00081	CO OIL SEAL 35 X 80 X 10 RTA35		
15.	1.195.7100.00	CO PROTECTIVE FLAT WASHER		
16.	8.5.3.00955	CO SNAP RING SB 81		
17.	8.3.2.00409	CO FLAT WASHER 25 X 44 X 4		
18.	8.2.2.01144	NUT CASTLE M 24 X 2		
19.	8.4.7.00516	CO COTTER PIN B5 X 50		
20.	A244.501	CO SHIM 40.3 X 51.5 826-067C		
21.	0.195.5000.00	CO PINION Z12 M4.7		
22.	822-166C	BEARING BALL 6207		
23.	8.7.3.00055	CO OIL SEAL 35 X 72 X 10		
24.	0.195.6000.00	CO CROWN GEAR Z33 M4.7		
25.	U0.195.7101.00	CO OIL LEVEL PLUG 3/8" GAS		

Gearbox (826-326C) Comer

Applies to FDR1548



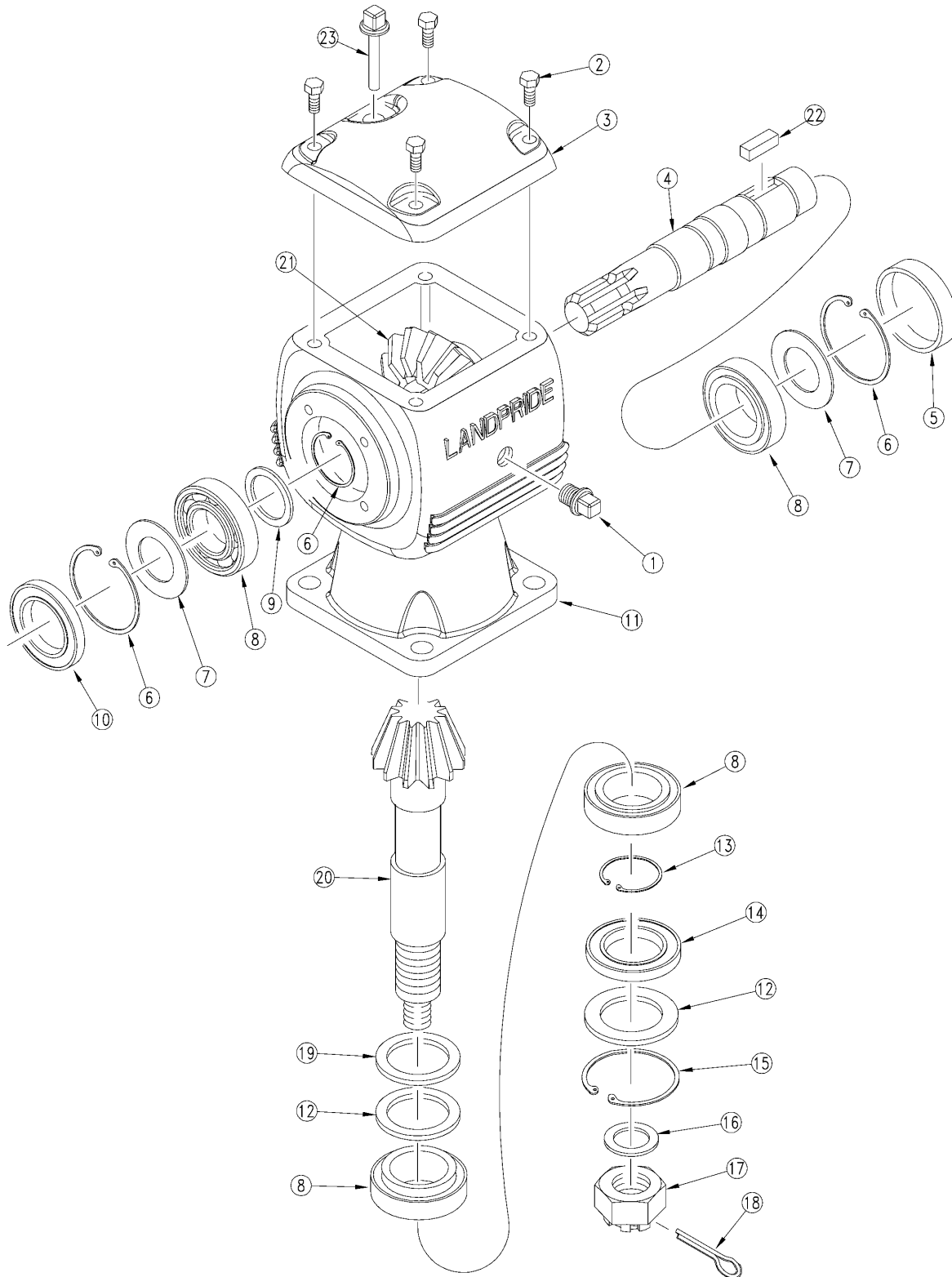
30000

Gearbox (826-326C) Comer**Applies to FDR1548**

Ref	Part No.	Part Description	Comments	Revision
	dwg30000	Drawing Image Number		
	826-326C	RPBY 826-367C		
1.	8.6.5.00006	CO OIL PLUG 3/8		
2.	8.1.1.00501	CO BOLT M8X22 HHB		
3.	0.195.1300.00	CO COVER		
4.	0.195.2000.00	CO INPUT SHAFT 1" 3/8 Z6		
5.	8.7.0.00744	CO CAP 72 X 10		
6.	8.5.2.00131	CO SNAP RING INT 72 UN17437		
7.	A.248.500	COMER SHIM KIT 71.7		
8.	8.0.9.00026	CO ROLLER BEARING 30207 CL-B		
9.	8.5.1.00680	CO SNAP RING 40 UNI 7436		
10.	0.259.7525.00	CO SHIM 35.3 X 48 X 2.5		
11.	0.195.0300.00	CO HOUSING		
12.	8.0.9.00102	CO ROLLER BEARING 32208 CL-B		
13.	0.278.7103.00	CO NUT M40 X 1.5		
14.	8.7.3.00081	CO OIL SEAL 35 X 80 X 10 RTA35		
15.	1.195.7100.00	CO PROTECTIVE FLAT WASHER		
16.	8.5.3.00955	CO SNAP RING SB 81		
17.	8.3.2.00409	CO FLAT WASHER 25 X 44 X 4		
18.	8.2.2.01144	NUT CASTLE M 24 X 2		
19.	8.4.7.00516	CO COTTER PIN B5 X 50		
20.	A244.501	CO SHIM 40.3 X 51.5 826-067C		
21.	0.195.5000.00	CO PINION Z12 M4.7		
22.	822-166C	BEARING BALL 6207		
23.	8.7.3.00055	CO OIL SEAL 35 X 72 X 10		
24.	0.195.6000.00	CO CROWN GEAR Z33 M4.7		
25.	U0.195.7101.00	CO OIL LEVEL PLUG 3/8" GAS		

Gearbox (826-367C) Comer

Applies to FDR1548



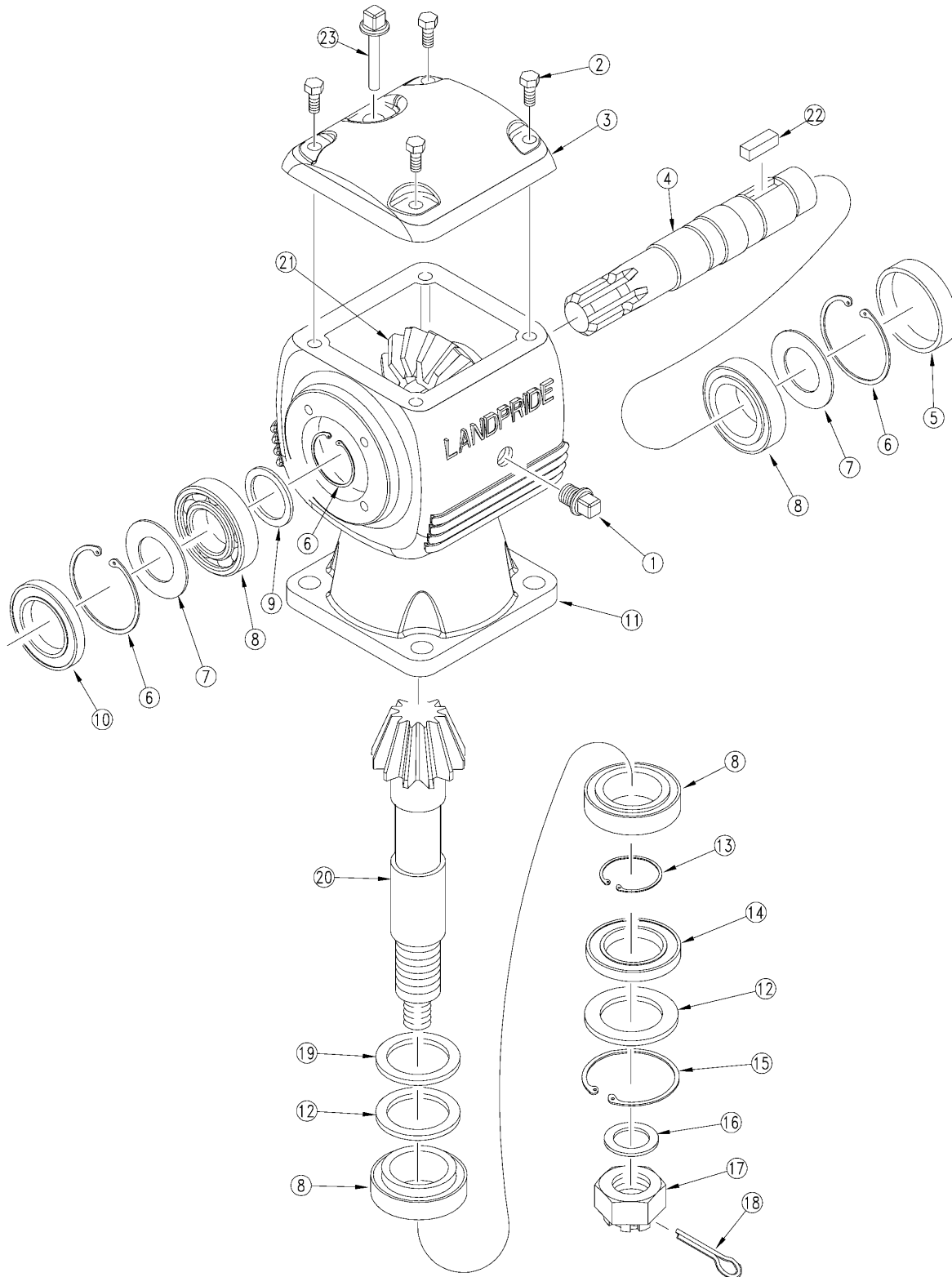
20888

Gearbox (826-367C) Comer**Applies to FDR1548**

Ref	Part No.	Part Description	Comments	Revision
	dwg20888	Drawing Image Number		
	826-367C	GBOX MOWER FDR16 1:2.8 REV.		
1.	8.6.5.00006	CO OIL PLUG 3/8		
2.	8.1.1.01357	CO BOLT M8X18 HHB (8.8)		
3.	0.215.1300.00	CO COVER		
4.	0.141.2100.00	KEYED SHAFT, 1 3/8 Z6		
5.	8.7.0.00744	CO CAP 72 X 10		
6.	8.5.2.00131	CO SNAP RING INT 72 UN17437		
7.	A.248.500	COMER SHIM KIT 71.7		
8.	822-166C	BEARING BALL 6207		
9.	0.248.7510.00	CO SHIM (60.3X71.7X1)		
10.	8.7.3.00055	CO OIL SEAL 35 X 72 X 10		
11.	0.215.0300.00	CO CASING		
12.	A.259.500	CO ADJUST SPACER KIT, 35.3 X48		
13.	8.5.1.00005	CO SNAP RING EXT 35 UN17435		
14.	8.7.1.00152	OIL SEAL, 35 X 72 X 12/10		
15.	8.5.3.01154	CO SNAP RING (SB73X74.8X2)		
16.	8.3.2.00409	CO FLAT WASHER 25 X 44 X 4		
17.	8.2.2.01144	NUT CASTLE M 24 X 2		
18.	8.4.7.00516	CO COTTER PIN B5 X 50		
19.	0.259.7510.00	CO SHIM (35.3X48X1)		
20.	0.215.5000.00	CO PINION Z12 M3.36		
21.	0.133.5000.00	CO GEAR CROWN Z34 M3.36		
22.	8.4.1.00993	CO PARALLEL KEY B 10 X 8 X 30		
23.	826-489C	COMER U0.215.7100.00 DIPSTICK		

Gearbox (826-367C) Comer

Applies to FDR1560, FDR1572



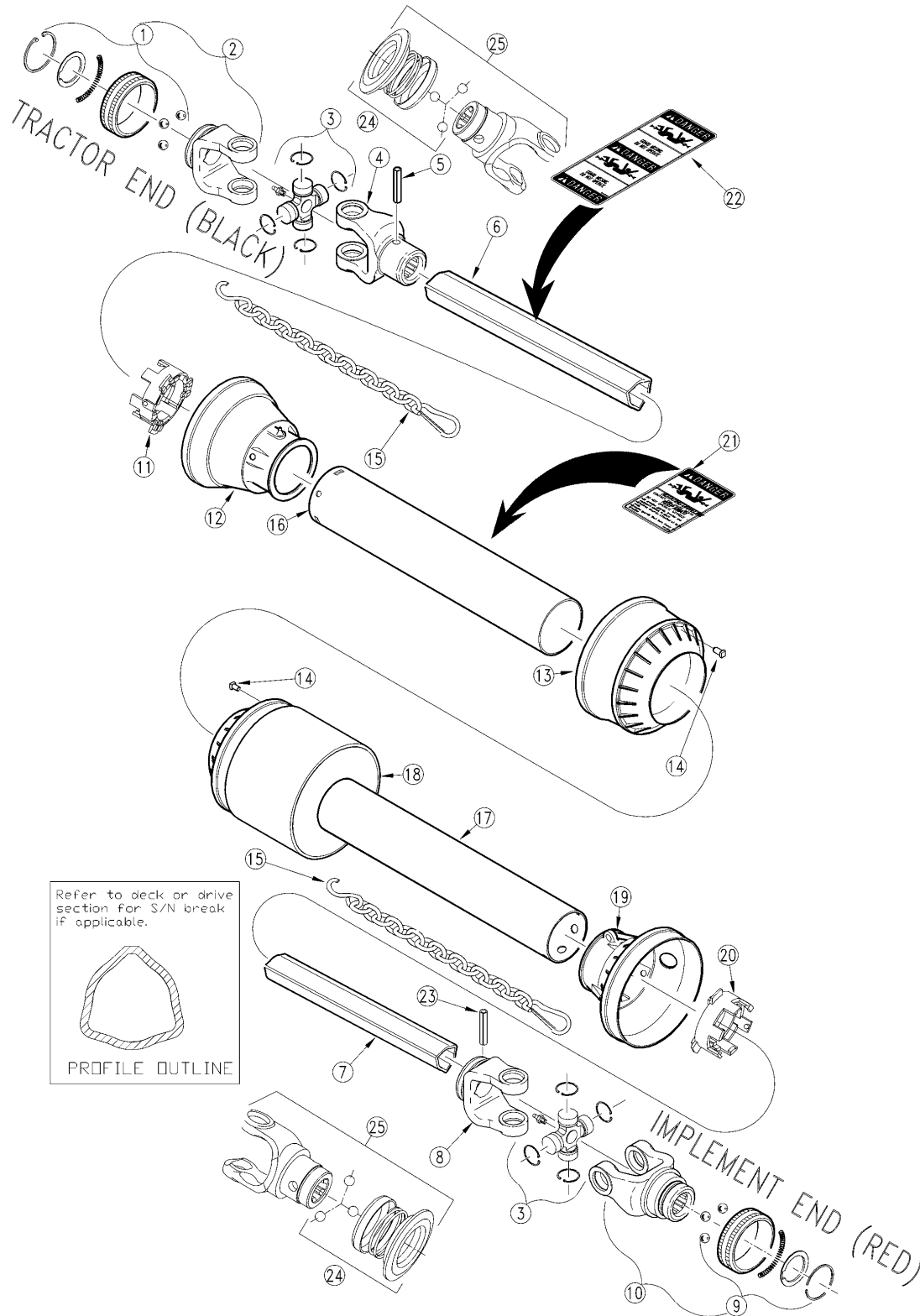
20888

Gearbox (826-367C) Comer**Applies to FDR1560, FDR1572**

Ref	Part No.	Part Description	Comments	Revision
	dwg20888	Drawing Image Number		
	826-367C	GBOX MOWER FDR16 1:2.8 REV.		
1.	8.6.5.00006	CO OIL PLUG 3/8		
2.	8.1.1.01357	CO BOLT M8X18 HHB (8.8)		
3.	0.215.1300.00	CO COVER		
4.	0.141.2100.00	KEYED SHAFT, 1 3/8 Z6		
5.	8.7.0.00744	CO CAP 72 X 10		
6.	8.5.2.00131	CO SNAP RING INT 72 UN17437		
7.	A.248.500	COMER SHIM KIT 71.7		
8.	822-166C	BEARING BALL 6207		
9.	0.248.7510.00	CO SHIM (60.3X71.7X1)		
10.	8.7.3.00055	CO OIL SEAL 35 X 72 X 10		
11.	0.215.0300.00	CO CASING		
12.	A.259.500	CO ADJUST SPACER KIT, 35.3 X48		
13.	8.5.1.00005	CO SNAP RING EXT 35 UN17435		
14.	8.7.1.00152	OIL SEAL, 35 X 72 X 12/10		
15.	8.5.3.01154	CO SNAP RING (SB73X74.8X2)		
16.	8.3.2.00409	CO FLAT WASHER 25 X 44 X 4		
17.	8.2.2.01144	NUT CASTLE M 24 X 2		
18.	8.4.7.00516	CO COTTER PIN B5 X 50		
19.	0.259.7510.00	CO SHIM (35.3X48X1)		
20.	0.215.5000.00	CO PINION Z12 M3.36		
21.	0.133.5000.00	CO GEAR CROWN Z34 M3.36		
22.	8.4.1.00993	CO PARALLEL KEY B 10 X 8 X 30		
23.	826-489C	COMER U0.215.7100.00 DIPSTICK		

Driveline (826-107C) Eurocardan (S/N 231582-)

Applies to FDR1548



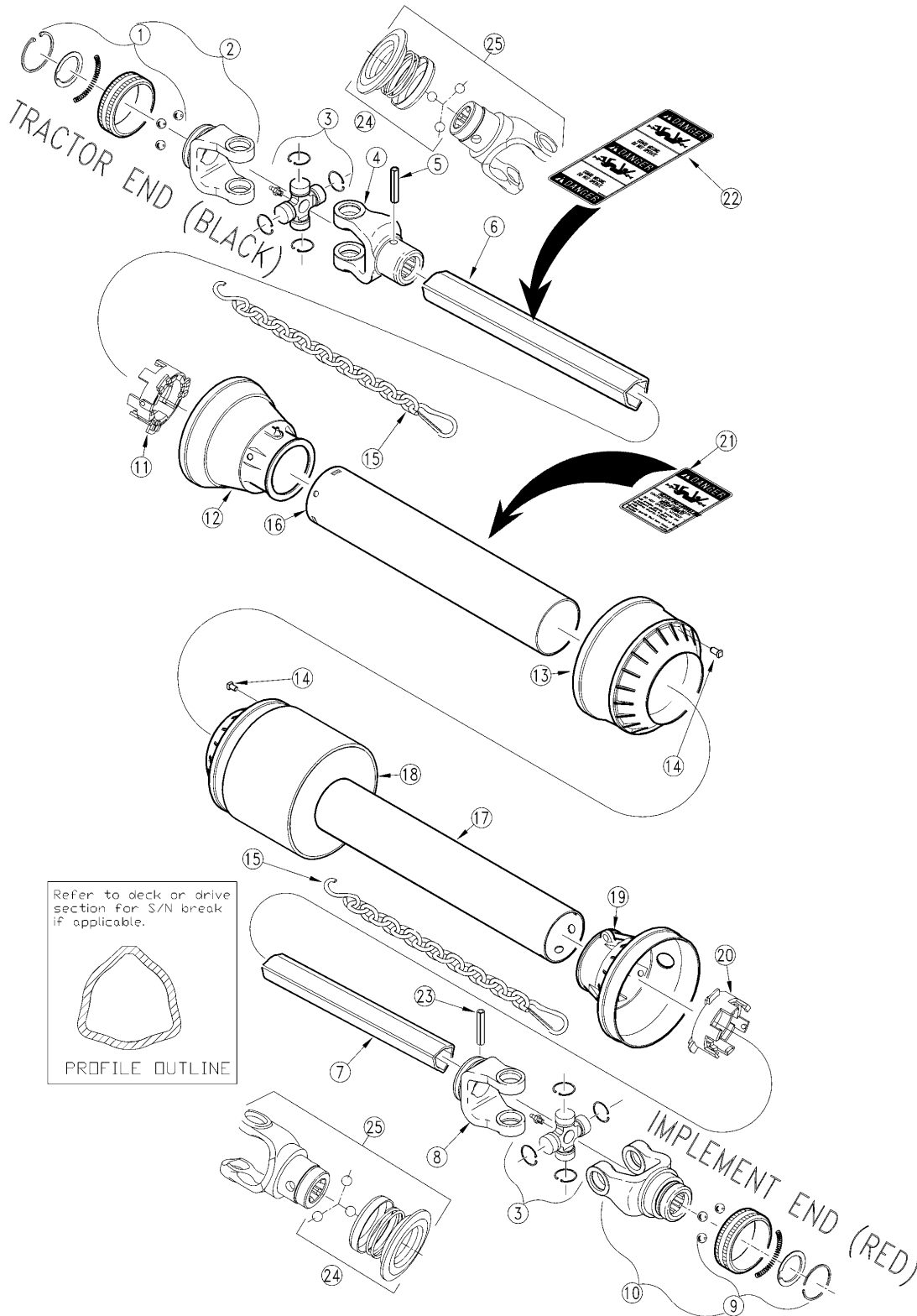
15220

Driveline (826-107C) Eurocardan (S/N 231582-)**Applies to FDR1548**

Ref	Part No.	Part Description	Comments	Revision
	dwg15220	Drawing Image Number		
	826-107C	DRIVELINE NO CLUTCH		
1.	1004220	EC TWIST COLLAR KIT (TRT. END)		
2.	1012010	EC YOKE ASSEMBLY (TRACT. END)		
3.	1002020	EC CROSS ASSEMBLY		
4.	1702027	EC OUTER TUBE YOKE		
5.	6330855	EC 8X55-DIN-1481 O/TUBE R/PIN		
6.	1523038	EC OUTER TUBE (1523085) 370 MM		Rev. 2
6.	1532316	RPBY 1523038		Rev 1; Use up stock
7.	1522038	EC INNER TUBE		Rev. 2
7.	1532302	RPBY 1522038		Rev 1; Use up stock
8.	1702029	EC INNER TUBE YOKE		
9.	1004224	EC TWIST COLLAR KIT (IMP. END)		
10.	1112010	EC YOKE ASSEMBLY (IMP. END)		
11.	1782210	EC TUBE BEARING		Rev. 2
11.	1782016	EC TUBE BEARING		Rev 1; Use up stock
12.	1884201	EC OUTER TUBE RIGID CONE		Rev. 2
12.	1883230	RPBY 1884201		Rev 1; Use up stock
13.	1884203	EC SOFT CONE		Rev. 2
13.	1883013	RPBY 1884203		Rev 1; Use up stock
14.	1884212	EC PIN FOR STOP ROTATION		Rev. 2
14.	1882342	RPBY 1873030		Rev 1; Use up stock
15.	044321	DRIVELINE SHIELD SAFETY CHAIN		
16.	1873030	EC OUTER TUBE		
17.	1872030	EC INNER TUBE		Rev. 2
17.	1772329	RPBY 1872030		Rev 1; Use up stock
18.	1884205	EC SOFT LONG CONE		Rev. 2
18.	1883014	RPBY 1884205		Rev 1; Use up stock
19.	1884202	EC INNER TUBE RIGID CONE		Rev. 2
19.	1883231	RPBY 1884202		Rev 1; Use up stock
20.	1782211	EC TUBE BEARING IMP END		Rev. 2
20.	1782016	EC TUBE BEARING		Rev 1; Use up stock
21.	818-552C	DECAL DANGER PTO DRIVELINE		
22.	818-540C	DECAL DANGER GUARD MISS PTO		
23.	6330860	EC 08X60 1485DIN ROLL PIN		
24.	1004225	EC PULL COLLAR KIT		
25.	1014012	EC YOKE ASSEMBLY		

Driveline (826-107C) Eurocardan (S/N 231582-)

Applies to FDR1560



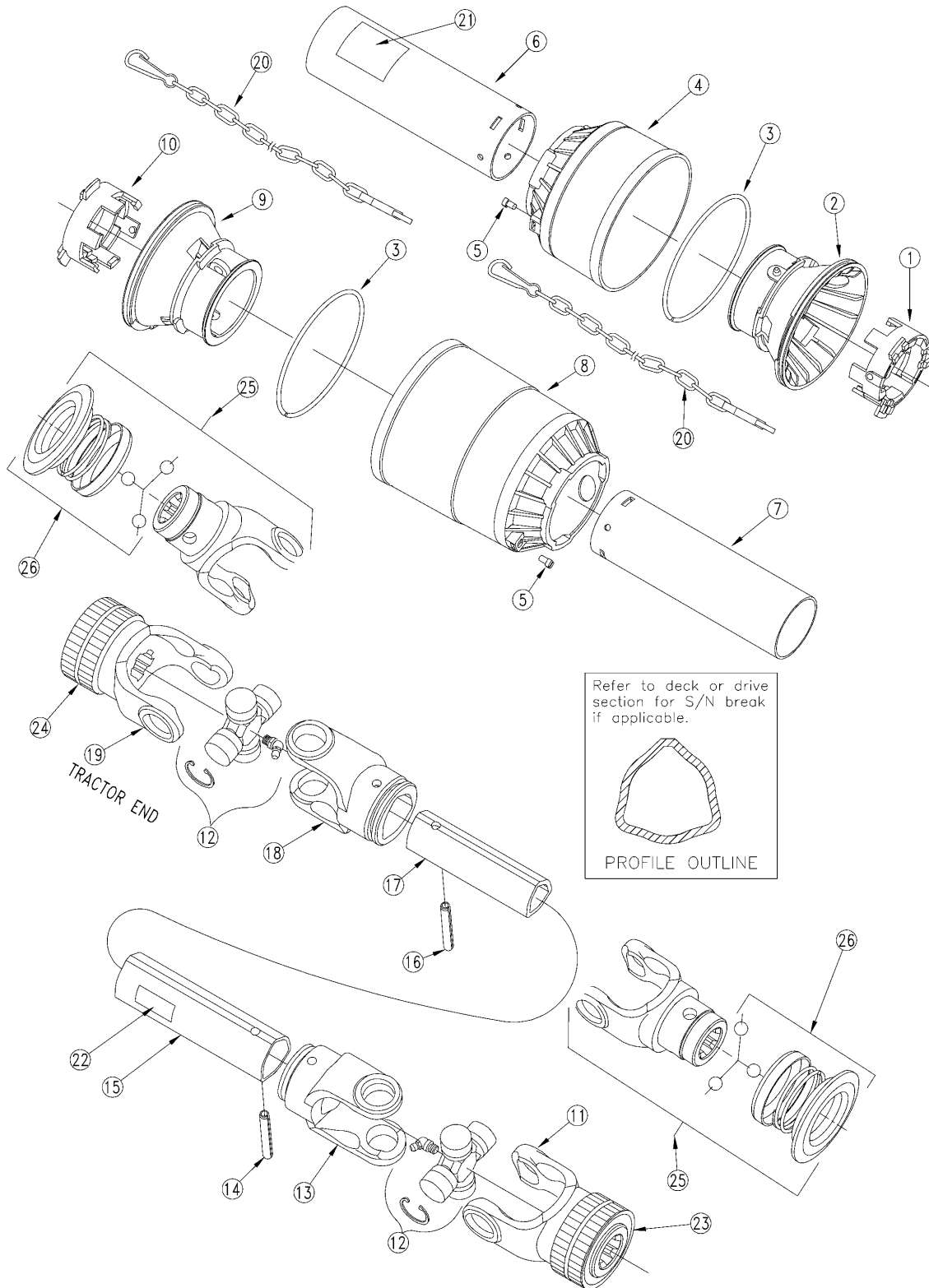
15220

Driveline (826-107C) Eurocardan (S/N 231582-)**Applies to FDR1560**

Ref	Part No.	Part Description	Comments	Revision
	dwg15220	Drawing Image Number		
	826-107C	DRIVELINE NO CLUTCH		
1.	1004220	EC TWIST COLLAR KIT (TRT. END)		
2.	1012010	EC YOKE ASSEMBLY (TRACT. END)		
3.	1002020	EC CROSS ASSEMBLY		
4.	1702027	EC OUTER TUBE YOKE		
5.	6330855	EC 8X55-DIN-1481 O/TUBE R/PIN		
6.	1523038	EC OUTER TUBE (1523085) 370 MM		Rev. 2
6.	1532316	RPBY 1523038		Rev 1; Use up stock
7.	1522038	EC INNER TUBE		Rev. 2
7.	1532302	RPBY 1522038		Rev 1; Use up stock
8.	1702029	EC INNER TUBE YOKE		
9.	1004224	EC TWIST COLLAR KIT (IMP. END)		
10.	1112010	EC YOKE ASSEMBLY (IMP. END)		
11.	1782210	EC TUBE BEARING		Rev. 2
11.	1782016	EC TUBE BEARING		Rev 1; Use up stock
12.	1884201	EC OUTER TUBE RIGID CONE		Rev. 2
12.	1883230	RPBY 1884201		Rev 1; Use up stock
13.	1884203	EC SOFT CONE		Rev. 2
13.	1883013	RPBY 1884203		Rev 1; Use up stock
14.	1884212	EC PIN FOR STOP ROTATION		Rev. 2
14.	1882342	RPBY 1873030		Rev 1; Use up stock
15.	044321	DRIVELINE SHIELD SAFETY CHAIN		
16.	1873030	EC OUTER TUBE		
17.	1872030	EC INNER TUBE		Rev. 2
17.	1772329	RPBY 1872030		Rev 1; Use up stock
18.	1884205	EC SOFT LONG CONE		Rev. 2
18.	1883014	RPBY 1884205		Rev 1; Use up stock
19.	1884202	EC INNER TUBE RIGID CONE		Rev. 2
19.	1883231	RPBY 1884202		Rev 1; Use up stock
20.	1782211	EC TUBE BEARING IMP END		
21.	818-552C	DECAL DANGER PTO DRIVELINE		
22.	818-540C	DECAL DANGER GUARD MISS PTO		
23.	6330860	EC 08X60 1485DIN ROLL PIN		
24.	1004225	EC PULL COLLAR KIT		
25.	1014012	EC YOKE ASSEMBLY		

Driveline (826-107C) Eurocardan (S/N 231583+)

Applies to FDR1548



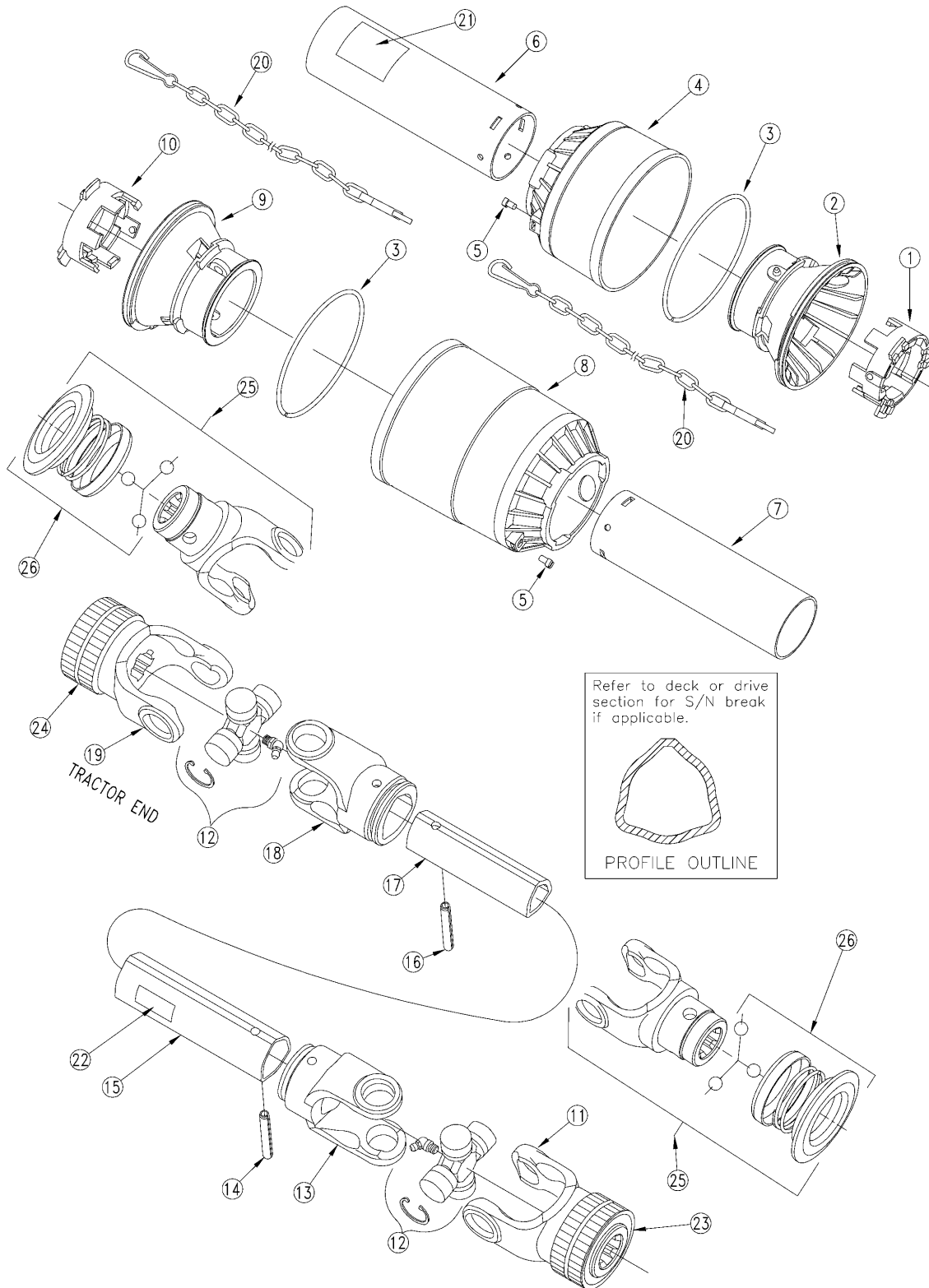
17257

Driveline (826-107C) Eurocardan (S/N 231583+)**Applies to FDR1548**

Ref	Part No.	Part Description	Comments	Revision
	dwg17257	Drawing Image Number		
	826-107C	DRIVELINE NO CLUTCH		
1.	1784210	EC TUBE BEARING		
2.	1884201	EC OUTER TUBE RIGID CONE		
3.	1213233	EC STIFFENING RING		
4.	1884203	EC SOFT CONE		
5.	1784212	EC PIN STOP ROTATION		
6.	1873028	EC OUTER TUBE (1873050) 280MM		
7.	1872028	EC INNER TUBE (1872050) 280MM		
8.	1884205	EC SOFT LONG CONE		
9.	1884202	EC INNER TUBE RIGID CONE		
10.	1784211	EC TUBE BEARING		
11.	1013010	EC YOKE ASSEMBLY (TRACT. END)		
12.	1003020	EC CROSS ASSEMBLY		
13.	1703027	EC OUTER TUBE YOKE		
14.	6330860	EC 08X60 1485DIN ROLL PIN		
15.	1524036	EC OUTER TUBE (1524062) 360MM		
16.	6330855	EC 8X55-DIN-1481 O/TUBE R/PIN		
17.	1523036	EC INNER TUBE (1523038) 360MM		
18.	1703029	EC INNER TUBE YOKE		
19.	1113010	EC YOKE ASSEMBLY (IMP. END)		
20.	044321	DRIVELINE SHIELD SAFETY CHAIN		
21.	818-552C	DECAL DANGER PTO DRIVELINE		
22.	818-540C	DECAL DANGER GUARD MISS PTO		
23.	1004220	EC TWIST COLLAR KIT (TRT. END)		
24.	1004224	EC TWIST COLLAR KIT (IMP. END)		
25.	1014012	EC YOKE ASSEMBLY		
26.	1004225	EC PULL COLLAR KIT		

Driveline (826-107C) Eurocardan (S/N 231583+)

Applies to FDR1560



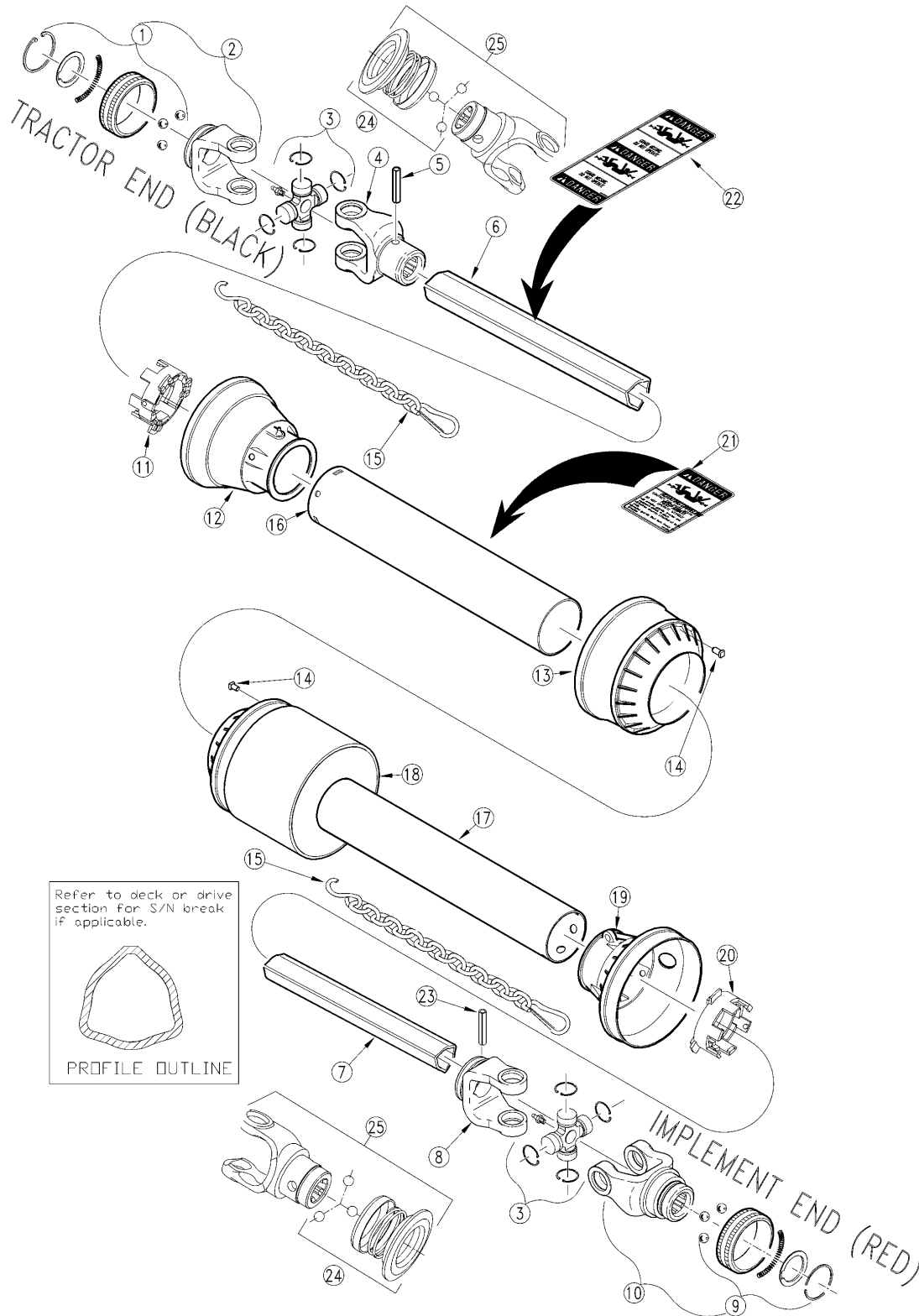
17257

Driveline (826-107C) Eurocardan (S/N 231583+)**Applies to FDR1560**

Ref	Part No.	Part Description	Comments	Revision
	dwg17257	Drawing Image Number		
	826-107C	DRIVELINE NO CLUTCH		
1.	1784210	EC TUBE BEARING		
2.	1884201	EC OUTER TUBE RIGID CONE		
3.	1213233	EC STIFFENING RING		
4.	1884203	EC SOFT CONE		
5.	1784212	EC PIN STOP ROTATION		
6.	1873028	EC OUTER TUBE (1873050) 280MM		
7.	1872028	EC INNER TUBE (1872050) 280MM		
8.	1884205	EC SOFT LONG CONE		
9.	1884202	EC INNER TUBE RIGID CONE		
10.	1784211	EC TUBE BEARING		
11.	1013010	EC YOKE ASSEMBLY (TRACT. END)		
12.	1003020	EC CROSS ASSEMBLY		
13.	1703027	EC OUTER TUBE YOKE		
14.	6330860	EC 08X60 1485DIN ROLL PIN		
15.	1524036	EC OUTER TUBE (1524062) 360MM		
16.	6330855	EC 8X55-DIN-1481 O/TUBE R/PIN		
17.	1523036	EC INNER TUBE (1523038) 360MM		
18.	1703029	EC INNER TUBE YOKE		
19.	1113010	EC YOKE ASSEMBLY (IMP. END)		
20.	044321	DRIVELINE SHIELD SAFETY CHAIN		
21.	818-552C	DECAL DANGER PTO DRIVELINE		
22.	818-540C	DECAL DANGER GUARD MISS PTO		
23.	1004220	EC TWIST COLLAR KIT (TRT. END)		
24.	1004224	EC TWIST COLLAR KIT (IMP. END)		
25.	1014012	EC YOKE ASSEMBLY		
26.	1004225	EC PULL COLLAR KIT		

Driveline (826-140C) Eurocardan (S/N 231582-)

Applies to FDR1572



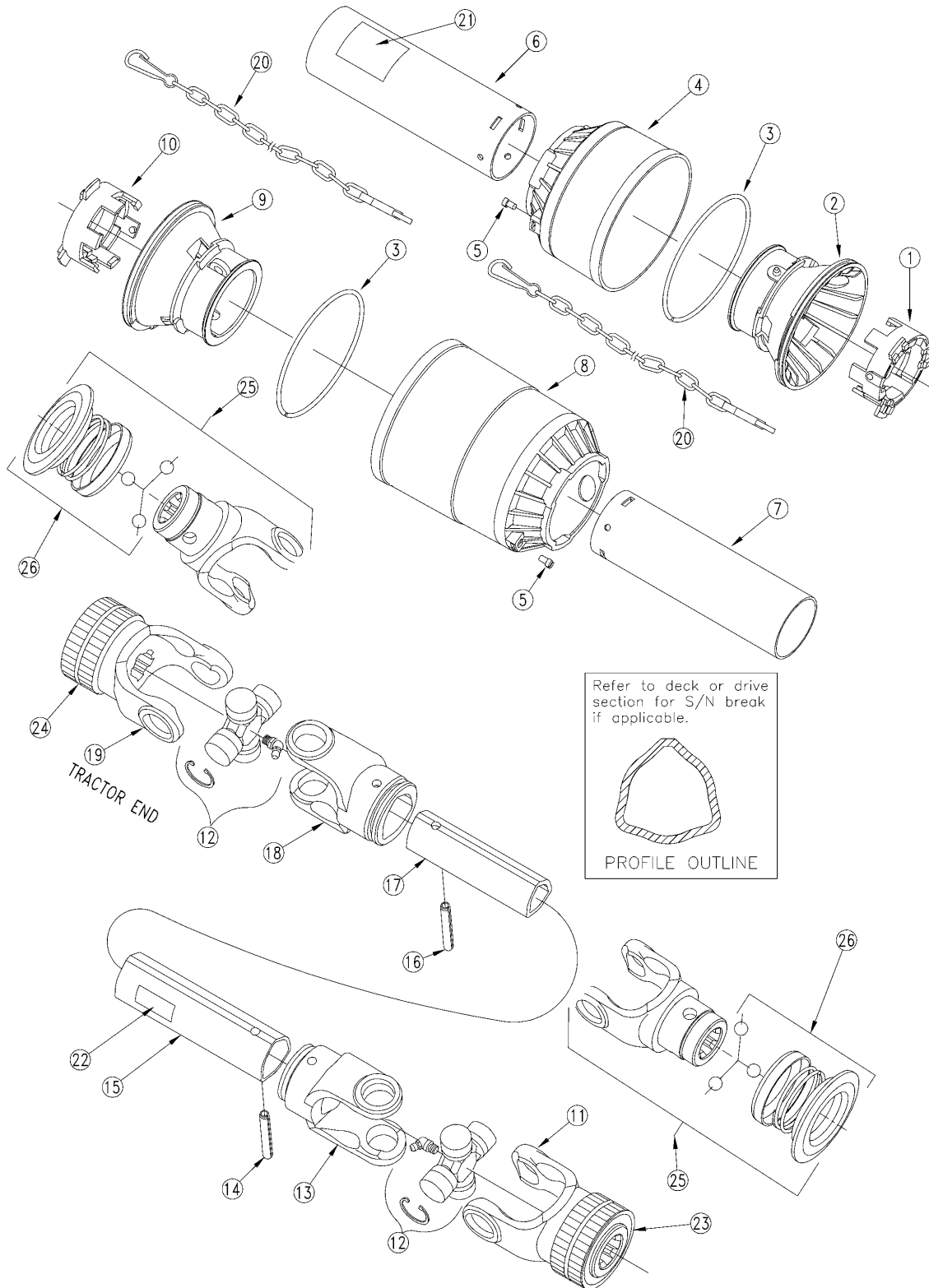
15220

Driveline (826-140C) Eurocardan (S/N 231582-)**Applies to FDR1572**

Ref	Part No.	Part Description	Comments	Revision
	dwg15220	Drawing Image Number		
	826-140C	DRIVELINE NO CLUTCH		
1.	1004220	EC TWIST COLLAR KIT (TRT. END)		
2.	1012010	EC YOKE ASSEMBLY (TRACT. END)		
3.	1002020	EC CROSS ASSEMBLY		
4.	1702027	EC OUTER TUBE YOKE		
5.	6330855	EC 8X55-DIN-1481 O/TUBE R/PIN		
6.	1523048	EC OUTER TUBE (1523085) 480 MM		Rev. 2
6.	1532318	RPBY 1523048		Rev 1; Use up stock
7.	1522048	EC INNER TUBE		Rev. 2
7.	1532304	RPBY 1522048		Rev 1; Use up stock
8.	1702029	EC INNER TUBE YOKE		
9.	1004224	EC TWIST COLLAR KIT (IMP. END)		
10.	1112010	EC YOKE ASSEMBLY (IMP. END)		
11.	1782210	EC TUBE BEARING		Rev. 2
11.	1782016	EC TUBE BEARING		Rev 1; Use up stock
12.	1884201	EC OUTER TUBE RIGID CONE		Rev. 2
12.	1883230	RPBY 1884201		Rev 1; Use up stock
13.	1884203	EC SOFT CONE		Rev. 2
13.	1883013	RPBY 1884203		Rev 1; Use up stock
14.	1884212	EC PIN FOR STOP ROTATION		Rev. 2
14.	1882342	RPBY 1873030		Rev 1; Use up stock
15.	044321	DRIVELINE SHIELD SAFETY CHAIN		
16.	1873040	EC OUTER TUBE		Rev. 2
16.	1882344	RPBY 1873040		Rev 1; Use up stock
17.	1872040	EC INNER TUBE		Rev. 2
17.	1772331	RPBY 1872040		Rev 1; Use up stock
18.	1884205	EC SOFT LONG CONE		Rev. 2
18.	1883014	RPBY 1884205		Rev 1; Use up stock
19.	1884202	EC INNER TUBE RIGID CONE		Rev. 2
19.	1883231	RPBY 1884202		Rev 1; Use up stock
20.	1782211	EC TUBE BEARING IMP END		Rev. 2
20.	1782016	EC TUBE BEARING		Rev 1; Use up stock
21.	818-552C	DECAL DANGER PTO DRIVELINE		
22.	818-540C	DECAL DANGER GUARD MISS PTO		
23.	6330860	EC 08X60 1485DIN ROLL PIN		
24.	1004225	EC PULL COLLAR KIT		
25.	1014012	EC YOKE ASSEMBLY		

Driveline (826-140C) Eurocardan (S/N 231583+)

Applies to FDR1572



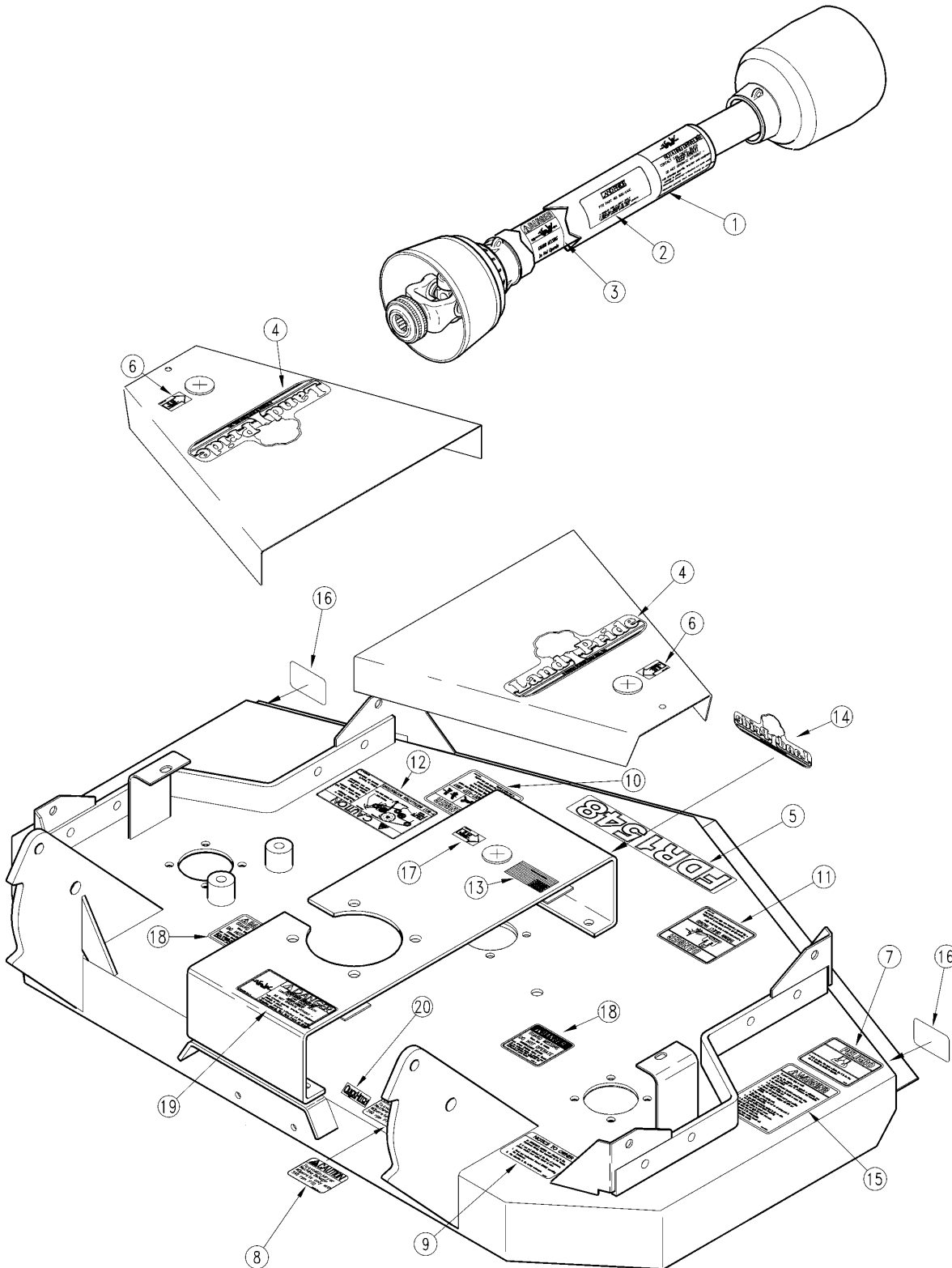
17257

Driveline (826-140C) Eurocardan (S/N 231583+)**Applies to FDR1572**

Ref	Part No.	Part Description	Comments	Revision
	dwg17257	Drawing Image Number		
	826-140C	DRIVELINE NO CLUTCH		
1.	1784210	EC TUBE BEARING		
2.	1884201	EC OUTER TUBE RIGID CONE		
3.	1213233	EC STIFFENING RING		
4.	1884203	EC SOFT CONE		
5.	1784212	EC PIN STOP ROTATION		
6.	1873038	EC OUTER TUBE (1873050) 380MM		
7.	1872038	EC INNER TUBE (1872050) 380MM		
8.	1884205	EC SOFT LONG CONE		
9.	1884202	EC INNER TUBE RIGID CONE		
10.	1784211	EC TUBE BEARING		
11.	1013010	EC YOKE ASSEMBLY (TRACT. END)		
12.	1003020	EC CROSS ASSEMBLY		
13.	1703027	EC OUTER TUBE YOKE		
14.	6330860	EC 08X60 1485DIN ROLL PIN		
15.	1524046	EC OUTER TUBE (1524062) 460MM		
16.	6330855	EC 8X55-DIN-1481 O/TUBE R/PIN		
17.	1523046	EC INNER TUBE (1523083) 460MM		
18.	1703029	EC INNER TUBE YOKE		
19.	1113010	EC YOKE ASSEMBLY (IMP. END)		
20.	044321	DRIVELINE SHIELD SAFETY CHAIN		
21.	818-552C	DECAL DANGER PTO DRIVELINE		
22.	818-540C	DECAL DANGER GUARD MISS PTO		
23.	1004220	EC TWIST COLLAR KIT (TRT. END)		
24.	1004224	EC TWIST COLLAR KIT (IMP. END)		
25.	1014012	EC YOKE ASSEMBLY		
26.	1004225	EC PULL COLLAR KIT		

Label Placement

Applies to FDR1548



17593

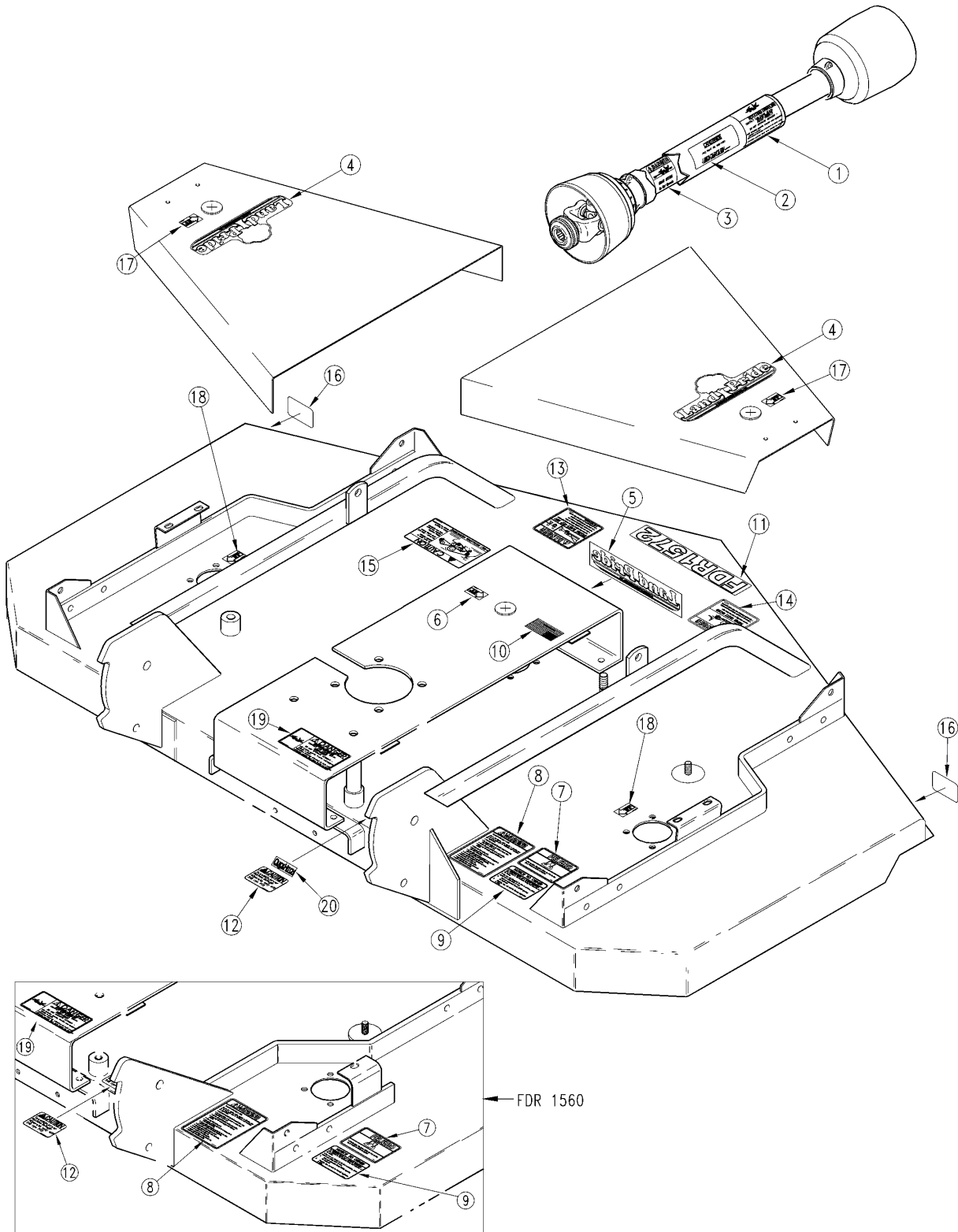
Label Placement

Applies to FDR1548

Ref	Part No.	Part Description	Comments	Revision
	dwg17593	Drawing Image Number		
	310-204A	FDR1548 DECAL PACKAGE	Includes items 1 through 16	
	310-205A	FDR1548 SAFETY DECAL PACKAGE	Includes items 1, 7, 10, 11, 15; two of item 3	
1.	818-552C	DECAL DANGER PTO DRIVELINE		
2.	818-494C	DECAL PTO 826-140C		
3.	818-540C	DECAL DANGER GUARD MISS PTO		
4.	818-892C	DECAL LP W/TREE 10" - 3 COLOR	(S/N 255042+)	Rev. 2 not compat. w/Rev. 1
4.	818-165C	LP LOGO SMALL BUCKSKIN	(S/N 255041-)	Rev. 1
5.	818-908C	DECAL FDR1548-BROWN	(S/N 255042+)	Rev. 1; Rev. 2
5.	818-493C	DECAL FDR1548 -BLACK LP	(S/N 255041-)	Rev. 1
6.	818-298C	DECAL GREASE 25HRS BLACK/WHITE)		
7.	818-557C	DECAL DANGER CANNOT READ ENG	(S/N 255041-)	
8.	818-130C	DECAL CAUTION 540 RPM		
9.	818-560C	DECAL NOTICE TO OWNER-NO WARRA		
10.	818-555C	DECAL DANGER ROTATE BLADE		
11.	818-556C	DECAL DANGER THROWN OBJ CUTTER		
12.	818-293C	DECAL CAUTION V-BELT INST 1548		
13.	818-190C	DECAL FLAG		
14.	818-896C	DECAL LP W/TREE 6" - 2 COLOR	(S/N 255042+)	Rev. 2 not compat. w/Rev. 1
14.	818-164C	LP LOGO SMALL GREEN	(S/N 255041-)	Rev. 1
15.	818-558C	DECAL WARNING GEN SAFE MOWER		
16.	818-230C	DECAL RED REFLECTOR		
17.	818-138C	DECAL GREASE EVERY 25 HOURS		
18.	818-543C	DECAL DANGER PD GUARD MISS SML		
19.	818-142C	DECAL DANGER PTO DRIVELINE EN		
20.	838-517C	DECAL QUICK HITCH SYSTEM		

Label Placement

Applies to FDR1560, FDR1572



17594

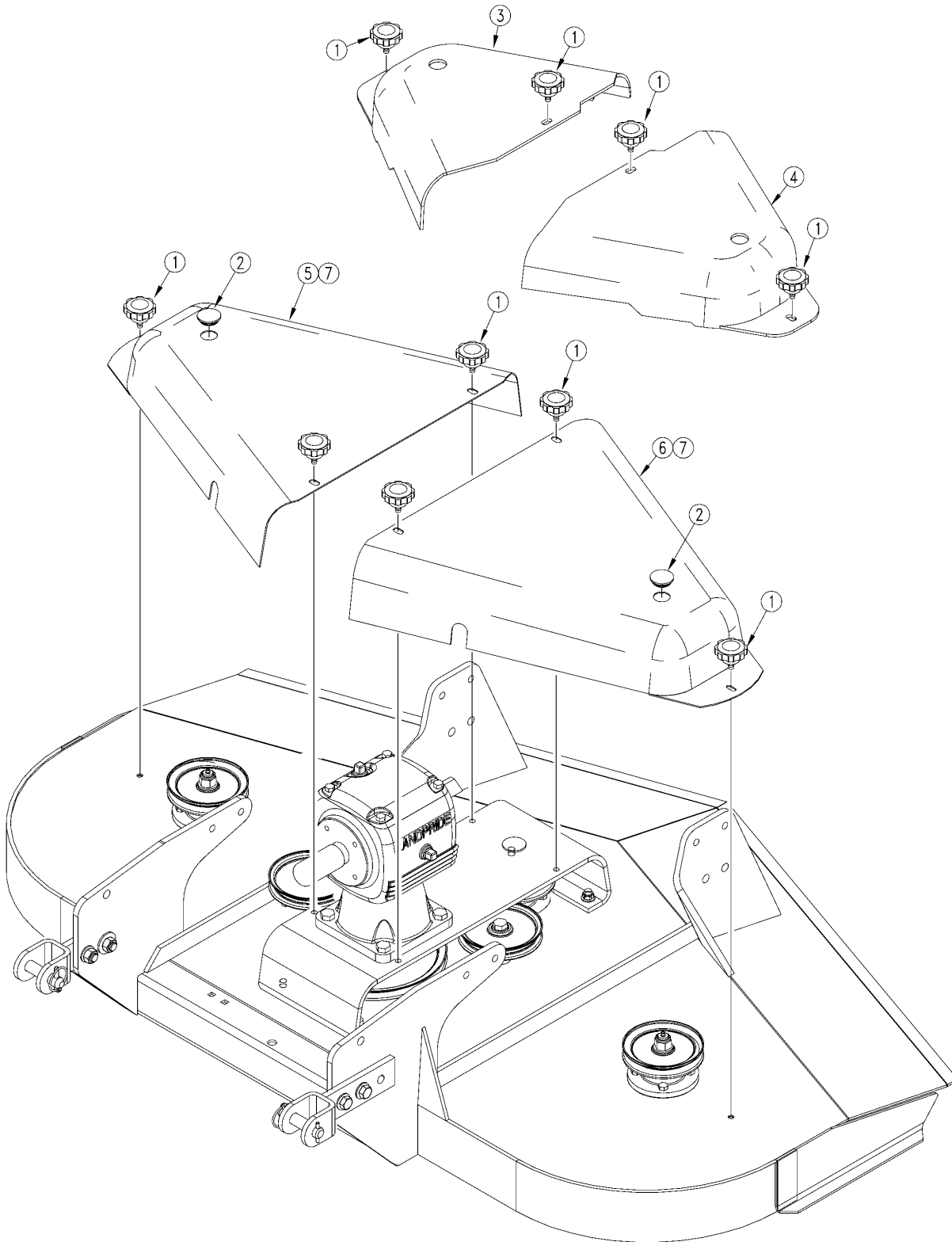
Label Placement

Applies to FDR1560, FDR1572

Ref	Part No.	Part Description	Comments	Revision
	dwg17594	Drawing Image Number		
	310-207A	FDR1560 SAFETY DECAL PACKAGE	Includes one of items 1, 7, 9, 13, 14, and 15; two each of 3	
	310-209A	FDR1572 SAFETY DECAL PACKAGE	Includes one of items 1, 9, 13, 14, and 15; two each of 3	
	310-206A	FDR1560 DECAL PACKAGE	Includes items 1 through 17	
	310-208A	FDR1572 DECAL PACKAGE	Includes items 1 through 17	
1.	818-552C	DECAL DANGER PTO DRIVELINE		
2.	818-494C	DECAL PTO 826-140C		
3.	818-540C	DECAL DANGER GUARD MISS PTO		
4.	818-892C	DECAL LP W/TREE 10" - 3 COLOR	(S/N 254725+)	Rev. 2 not compat. w/Rev. 1
4.	818-165C	LP LOGO SMALL BUCKSKIN	(S/N 254724-)	Rev. 1
5.	818-897C	DECAL LANDPRIDE 10" - BROWN	(S/N 254725+)	Rev. 2 not compat. w/Rev. 1
5.	818-164C	LP LOGO SMALL GREEN	(S/N 254724-)	Rev. 1
6.	818-138C	DECAL GREASE EVERY 25 HOURS		
7.	818-557C	DECAL DANGER CANNOT READ ENG	(S/N 254724-)	
8.	818-558C	DECAL WARNING GEN SAFE MOWER		
9.	818-560C	DECAL NOTICE TO OWNER-WARRANTY		
10.	818-190C	DECAL FLAG		
11.	818-909C	DECAL FDR1560-BROWN	(S/N 254725+)	Rev. 2 not compat. w/Rev. 1
11.	818-910C	DECAL FDR1572-BROWN	(S/N 254725+)	Rev. 1
11.	818-527C	DECAL FDR1572 -BLACK LP	(S/N 254724-)	Rev. 2 not compat. w/Rev. 1
11.	818-530C	DECAL FDR1560 -BLACK LP	(S/N 254724-)	Rev. 1
12.	818-130C	DECAL CAUTION 540 RPM		
13.	818-555C	DECAL DANGER ROTATE BLADE		
14.	818-556C	DECAL DANGER THROWN OBJ CUTTER		
15.	818-514C	DECAL VB INST CW FDR72/200/168		
15.	818-529C	DECAL BELT INSTALL CW-60		
16.	818-230C	DECAL RED REFLECTOR		
17.	818-298C	DECAL GREASE 25HRS BLACK/WHITE)		
18.	818-543C	DECAL DANGER PD GUARD MISS SML	(S/N 254725+)	
19.	818-142C	DECAL DANGER PTO DRIVELINE EN		
20.	838-517C	DECAL QUICK HITCH SYSTEM		

Belt Covers

Applies to FDR1648, FDR1660, FDR1672



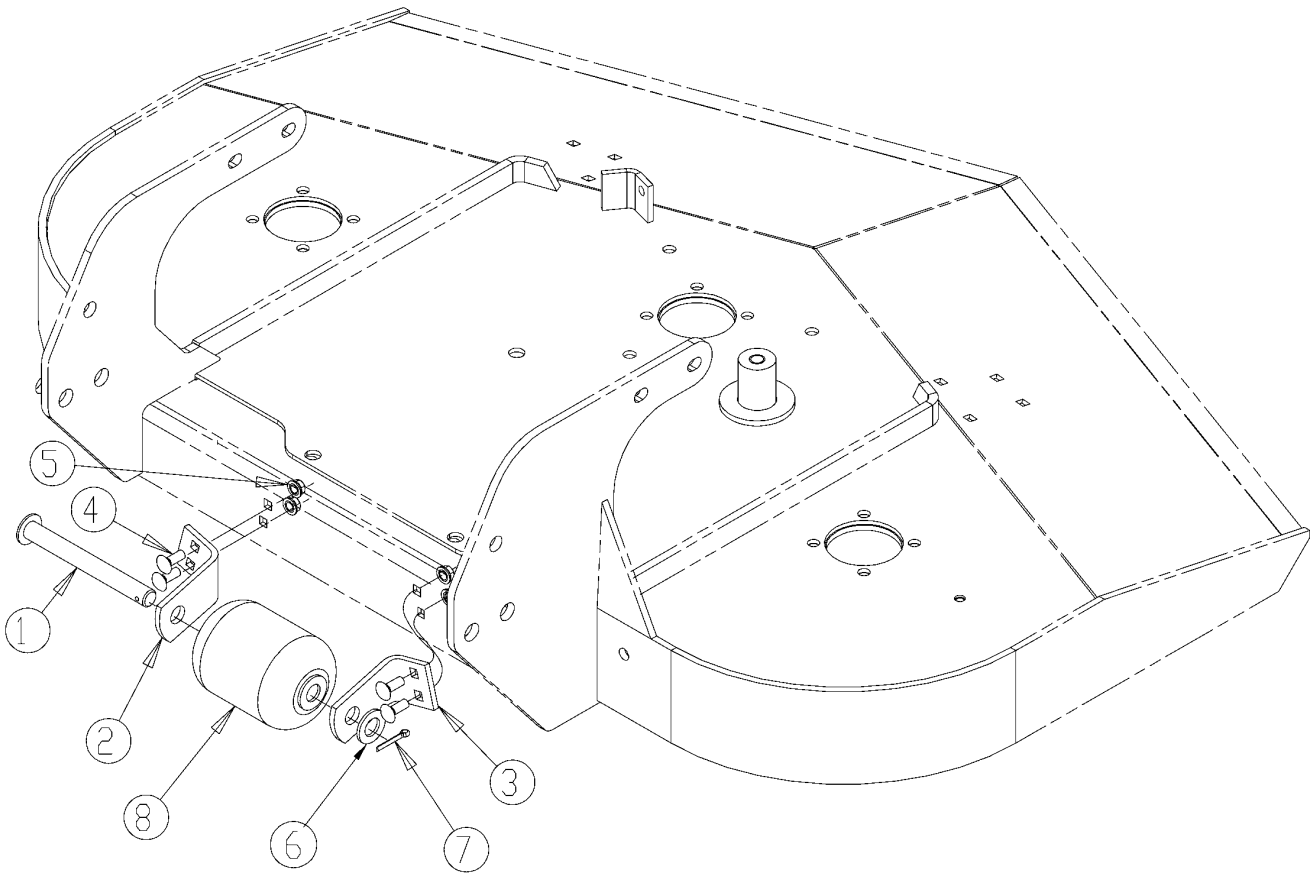
20875

Belt Covers**Applies to FDR1648, FDR1660, FDR1672**

Ref	Part No.	Part Description	Comments	Revision
	dwg20875	Drawing Image Number		
1.	817-358C	KNOB 3/8-16 MALE THD 2 3/8OD		
2.	816-298C	RUBBER PLUG 1 3/8 W/CROSS SLIT		
3.	817-514C	PLASTIC BELT GUARD RH FDR1648		
4.	817-515C	PLASTIC BELT GUARD LH FDR1648		
5.	817-491C	PLASTIC BELT GUARD RH FDR1660		
6.	817-492C	PLASTIC BELT GUARD LH FDR1660		
7.	817-512C	PLASTIC BELT GUARD FDR1672		

Front Roller

Applies to FDR1648, FDR1660, FDR1672



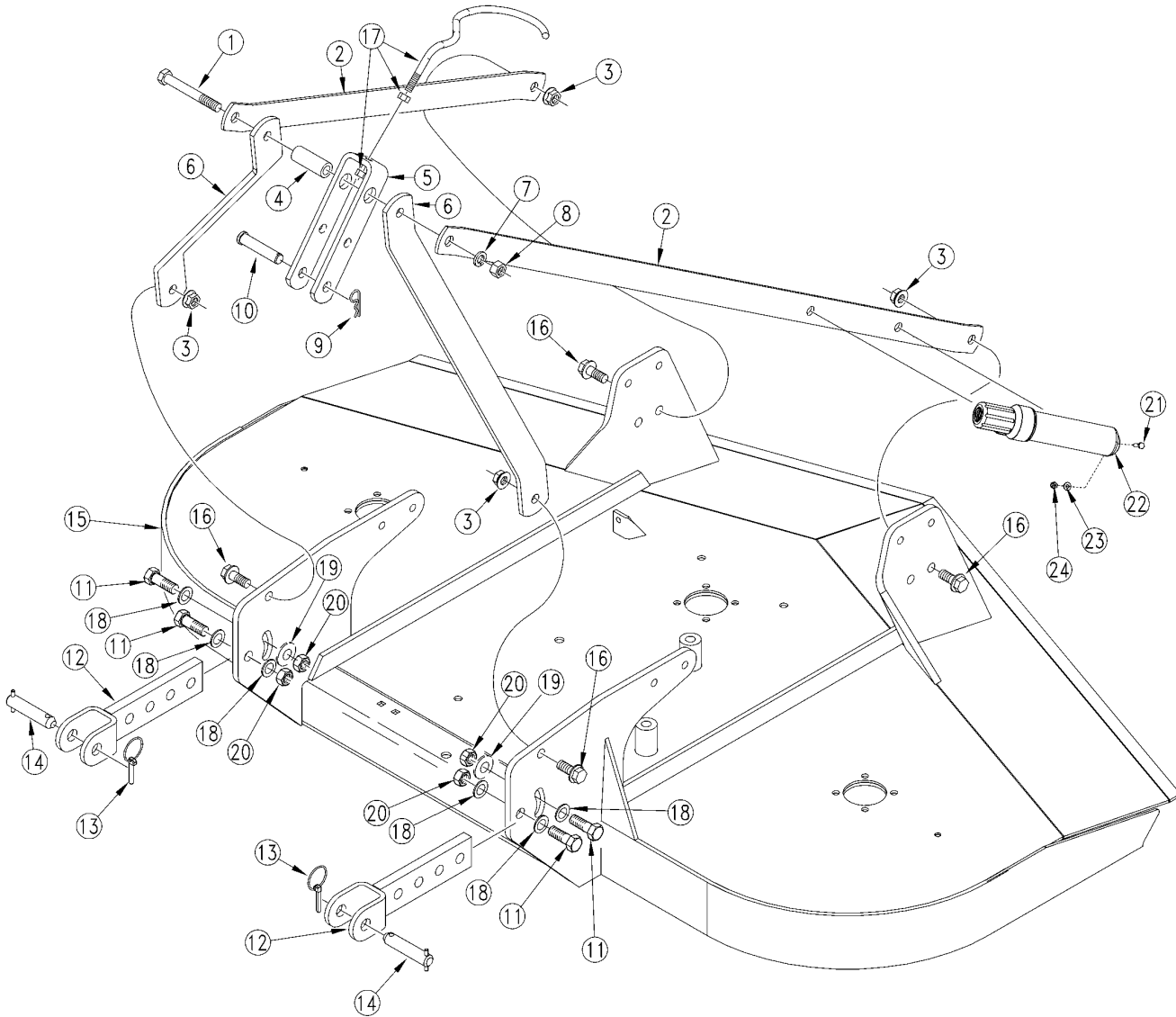
20874

Front Roller**Applies to FDR1648, FDR1660, FDR1672**

Ref	Part No.	Part Description	Comments	Revision
	dwg20874	Drawing Image Number		
	315-516S	ASSY. FRONT ROLLER		
1.	315-515H	WLDMT. ROLLER SHAFT		
2.	315-880D	ROLLER BRACKET RH.		
2.	315-880D81	ROLLER BRACKET RH. GREEN		
2.	315-880D82	ROLLER BRACKET RH. ORANGE		
2.	315-880D83	ROLLER BRACKET RH. RED		
2.	315-880D84	ROLLER BRACKET RH. BLUE		
3.	315-881D	ROLLER BRACKET LH.		
3.	315-881D81	ROLLER BRACKET LH. GREEN		
3.	315-881D82	ROLLER BRACKET LH. ORANGE		
3.	315-881D83	ROLLER BRACKET LH. RED		
3.	315-881D84	ROLLER BRACKET LH. BLUE		
4.	802-015C	RHSNB 3/8-16X1 GR5		
5.	803-198C	NUT HEX WHIZ 3/8-16 PLT		
6.	804-021C	WASHER FLAT 5/8 SAE PLT		
7.	805-016C	PIN COTTER 3/16 X 1 1/4 PLT		
8.	817-082C	4 X 5 1/2 FRONT ROLLER		

Hitch

Applies to FDR1660, FDR1672



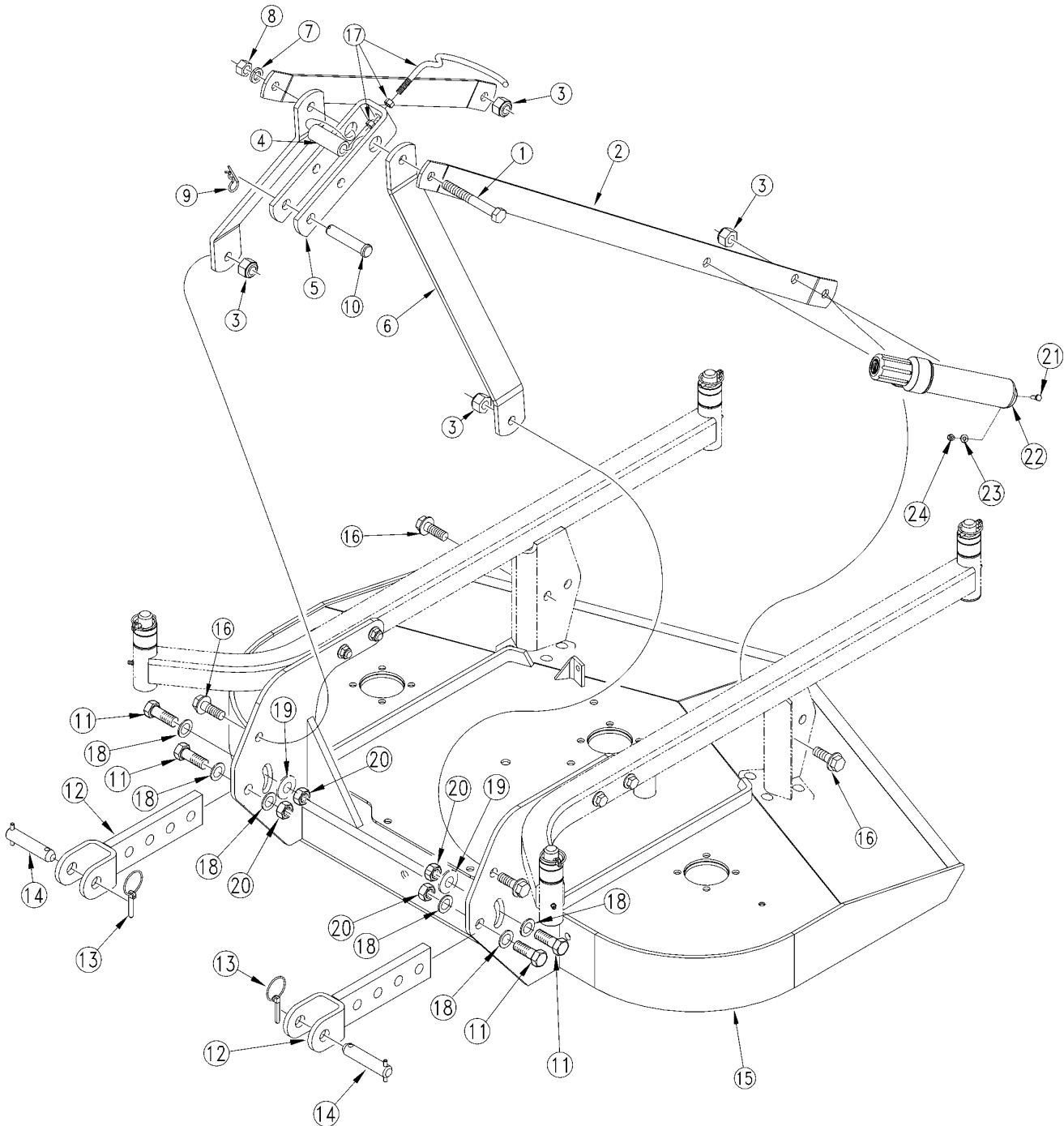
20873

Hitch**Applies to FDR1660, FDR1672**

Ref	Part No.	Part Description	Comments	Revision
	dwg20873	Drawing Image Number		
1.	802-242C	HHCS 5/8-18X5 1/2 GR5	S/N _____+	
1.	802-307C	HHCS 5/8-18X5 GR5	S/N _____-	
2.	310-522D	REAR BRACE	FDR1660	
2.	310-475D	REAR BRACE	FDR1672; (Shown)	
3.	803-263C	NUT HEX FLANGE LOCK 5/8-11 PLT		
4.	312-610D	HHCS 5/8-18X5 1/2 GR5	S/N _____+	
4.	310-012D	SPACER - TOP HITCH	S/N _____-	
5.	312-609D	PIVOTING UPPER HITCH	S/N _____+	
5.	312-085D	PIVOTING HITCH - UPPER	S/N _____-	
6.	310-474D	A-FRAME		
7.	804-022C	WASHER LOCK SPRING 5/8 PLT		
8.	803-022C	NUT HEX 5/8-18 PLT		
9.	805-143C	PIN HAIR COTTER .120 PLT		
10.	805-142C	PIN CLEVIS 3/4 X 3 1/2 PLT		
11.	802-055C	HHCS 5/8-11X2 GR5	S/N 438925+	Rev. 2
11.	802-053C	HHCS 5/8-11X1 3/4 GR5	S/N 438924-	Rev 1; Use up stock
12.	310-379H	LOWER HITCH WELDMENT		
12.	310-379H81	LOWER HITCH WELDMENT GREEN		
12.	310-379H82	LOWER HITCH WELDMENT ORANGE		
12.	310-379H83	LOWER HITCH WELDMENT RED		
12.	310-379H84	LOWER HITCH WELDMENT BLUE		
13.	805-015C	PIN LYNCH 5/16 X 1 3/4		
14.	310-020S	LOWER HITCH PIN		
15.	310-359H	WELDMENT FDR1660	FDR1660	
15.	310-359H81	WELDMENT FDR1660 GREEN		
15.	310-359H82	WELDMENT FDR1660 ORANGE		
15.	310-359H83	WELDMENT FDR1660 RED		
15.	310-359H84	WELDMENT FDR1660 BLUE		
15.	310-369H	FDR1672 DECK WELDMENT	FDR1672; (Shown)	
15.	310-369H81	FDR1672 DECK WELDMENT GREEN		
15.	310-369H82	FDR1672 DECK WELDMENT ORANGE		
15.	310-369H83	FDR1672 DECK WELDMENT RED		
15.	310-369H84	FDR1672 DECK WELDMENT BLUE		
16.	802-657C	HFS 5/8-11 X 1 3/4 GR5/8		
17.	800-320C	DRIVELINE HOOK HANGER W/HRDWR		
18.	804-021C	WASHER FLAT 5/8 SAE PLT		
19.	804-019C	WASHER FLAT 5/8 USS PLT		
20.	803-271C	NUT HEX TOP LOCK 5/8-11 PLT		
21.	802-005C	HHCS 1/4-20X1 GR5	S/N _____+	
22.	816-504C	MANUAL STORAGE CONTAINER	S/N _____+	
23.	804-007C	WASHER FLAT 1/4 SAE PLT	S/N _____+	
24.	803-255C	NUT HEX NYLOCK 1/4-20	S/N _____+	

Hitch

Applies to FDR1648



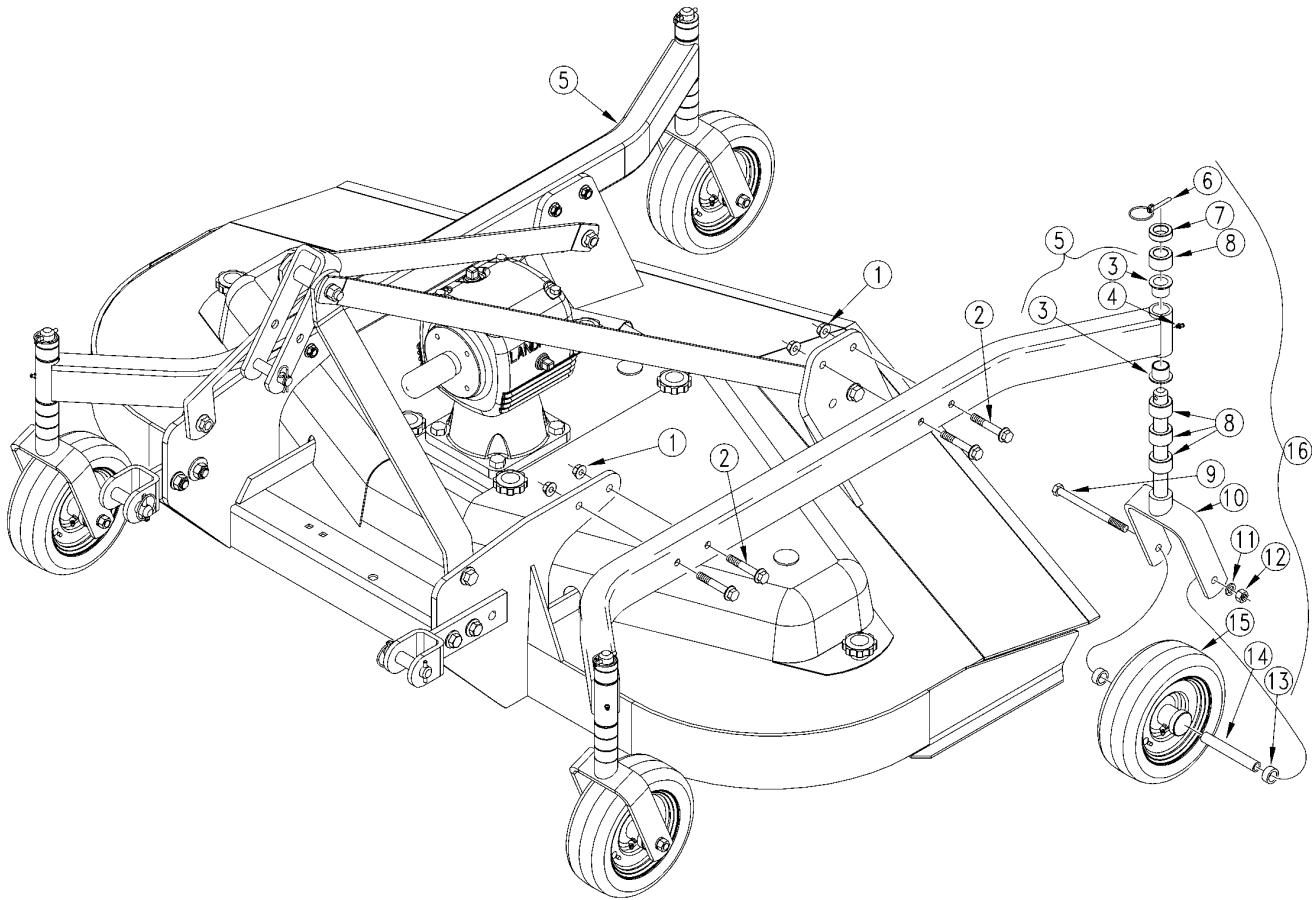
20881

Hitch**Applies to FDR1648**

Ref	Part No.	Part Description	Comments	Revision
	dwg20881	Drawing Image Number		
1.	802-242C	HHCS 5/8-18X5 1/2 GR5	S/N _____ +	
1.	802-307C	HHCS 5/8-18X5 GR5	S/N _____ -	
2.	310-606D	REAR BRACE		
3.	803-263C	NUT HEX FLANGE LOCK 5/8-11 PLT		
4.	312-610D	SPACER TUBE 1 1/8 OD X 3 1/8	S/N _____ +	
4.	310-012D	SPACER - TOP HITCH	S/N _____ -	
5.	312-609D	PIVOTING UPPER HITCH	S/N _____ +	
5.	312-085D	PIVOTING HITCH - UPPER	S/N _____ -	
6.	310-605D	A-FRAME		
7.	804-022C	WASHER LOCK SPRING 5/8 PLT		
8.	803-022C	NUT HEX 5/8-18 PLT		
9.	805-143C	PIN HAIR COTTER .120 PLT		
10.	805-142C	PIN CLEVIS 3/4 X 3 1/2 PLT		
11.	802-055C	HHCS 5/8-11X2 GR5	S/N 438925+	Rev. 2
11.	802-053C	HHCS 5/8-11X1 3/4 GR5	S/N 438924-	Rev 1; Use up stock
12.	310-379H	LOWER HITCH WELDMENT		
12.	310-379H81	LOWER HITCH WELDMENT GREEN		
12.	310-379H82	LOWER HITCH WELDMENT ORANGE		
12.	310-379H83	LOWER HITCH WELDMENT RED		
12.	310-379H84	LOWER HITCH WELDMENT BLUE		
13.	805-015C	PIN LYNCH 5/16 X 1 3/4		
14.	310-020S	LOWER HITCH PIN		
15.	310-370H	FDR1648 DECK WELDMENT		
15.	310-370H81	FDR1648 DECK WELDMENT GREEN		
15.	310-370H82	FDR1648 DECK WELDMENT ORANGE		
15.	310-370H83	FDR1648 DECK WELDMENT RED		
15.	310-370H84	FDR1648 DECK WELDMENT BLUE		
16.	802-657C	HFS 5/8-11 X 1 1/2 GR5		
17.	800-320C	DRIVELINE HOOK HANGER W/HRDWR		
18.	804-021C	WASHER FLAT 5/8 SAE PLT		
19.	804-019C	WASHER FLAT 5/8 USS PLT		
20.	803-271C	NUT HEX TOP LOCK 5/8-11 PLT		
21.	802-005C	HHCS 1/4-20X1 GR5	S/N _____ +	
22.	816-504C	MANUAL STORAGE CONTAINER	S/N _____ +	
23.	804-007C	WASHER FLAT 1/4 SAE PLT	S/N _____ +	
24.	803-255C	NUT HEX NYLOCK 1/4-20	S/N _____ +	

Gauge Wheel Assembly

Applies to FDR1660, FDR1672



20877

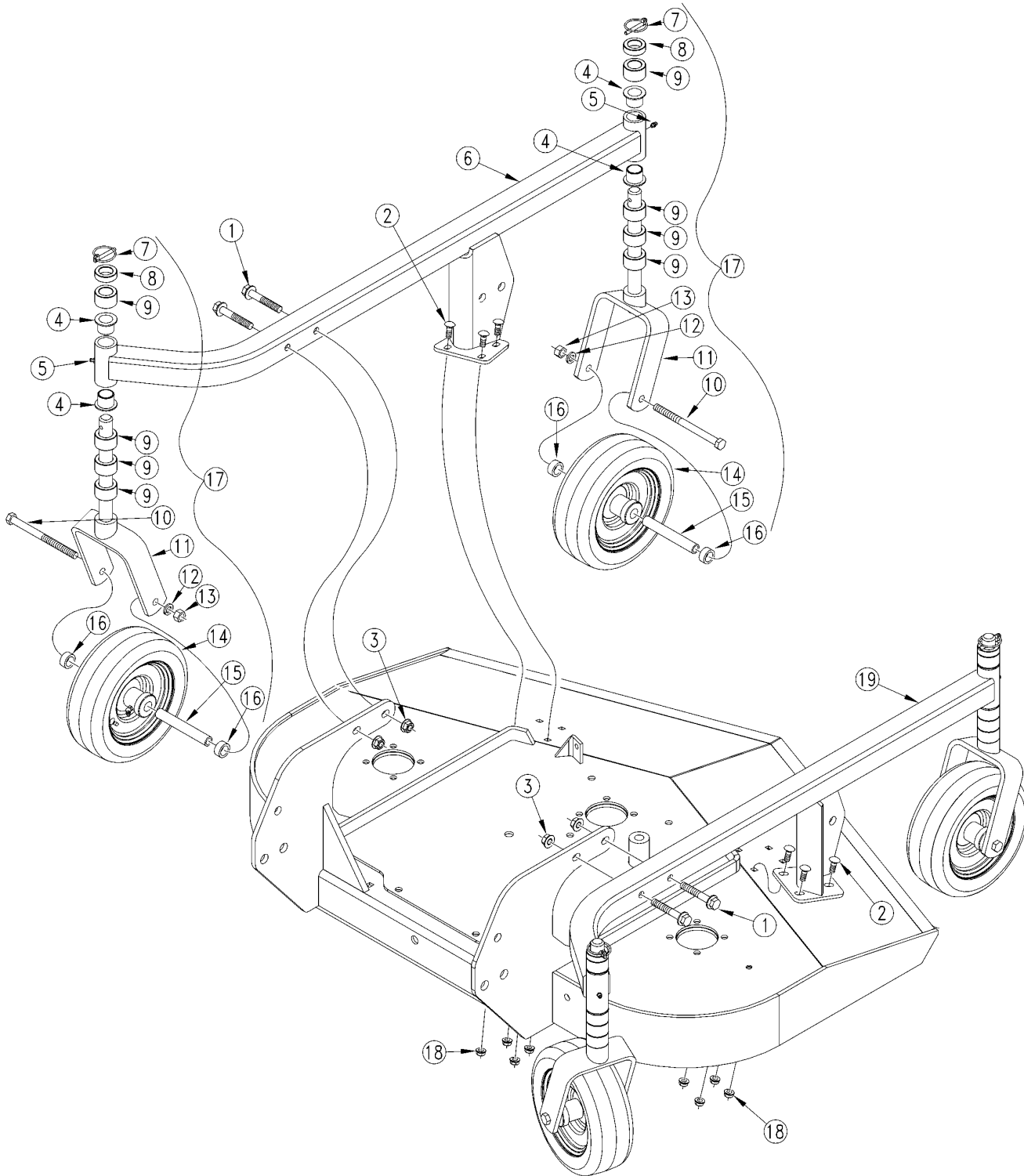
Gauge Wheel Assembly

Applies to FDR1660, FDR1672

Ref	Part No.	Part Description	Comments	Revision
	dwg20877	Drawing Image Number		
1.	803-037C	NUT HEX WHIZ 1/2-13 PLT		
2.	802-658C	HFS 1/2-13 X 3 1/2 GR5/8		
3.	817-048C	SPINDLE BUSHING		
4.	800-001C	GREASE ZERK STRAIGHT 1/4-28		
5.	310-364S	ASSY GUAGE WHEEL ARM	FDR1660	
5.	310-364S81	ASSY GUAGE WHEEL ARM GREEN		
5.	310-364S82	ASSY GUAGE WHEEL ARM ORANGE		
5.	310-364S83	ASSY GUAGE WHEEL ARM RED		
5.	310-364S84	ASSY GUAGE WHEEL ARM BLUE		
5.	310-373S	FDR1672 GUAGE WHEEL ARM ASSY	FDR1672; (Shown)	
5.	310-373S81	FDR1672 GUAGE WHEEL ARM ASSY GREEN		
5.	310-373S82	FDR1672 GUAGE WHEEL ARM ASSY ORANGE		
5.	310-373S83	FDR1672 GUAGE WHEEL ARM ASSY RED		
5.	310-373S84	FDR1672 GUAGE WHEEL ARM ASSY BLUE		
6.	805-126C	PIN LYNCH 1/4 X 1 3/4 PLT		
7.	827-001C	SPACER 1/2		
8.	827-002C	SPACER 1		
9.	802-350C	HHCS 1/2-20X6 1/2 GR5		
10.	310-149H	GAUGE WHEEL YOKE(5 1/8 INSIDE)		
11.	804-015C	WASHER LOCK SPRING 1/2 PLT		
12.	803-018C	NUT HEX 1/2-20 PLT		
13.	310-024D	GAUGE WHEEL SPACER - SHORT	Air tire only	
13.	310-329D	GAUGE WHEEL SPACER(SOLID TIRE)	Solid tire only	
14.	310-328D	SPACER TUBE GA. WHL. 5 1/8 LG		
15.	814-071C	TIRE 4.10/3.50-4 TUBELESS AIR	Shown	
15.	814-188C	TIRE 10X3.25 SOLID STRT RIB CR		
16.	310-105S	4X10 AIR TIRE & YOKE ASSY	Shown	
16.	310-017S	3.25X10 SOLID TIRE/YOKE ASSY		

Gauge Wheel Assembly

Applies to FDR1648



20876

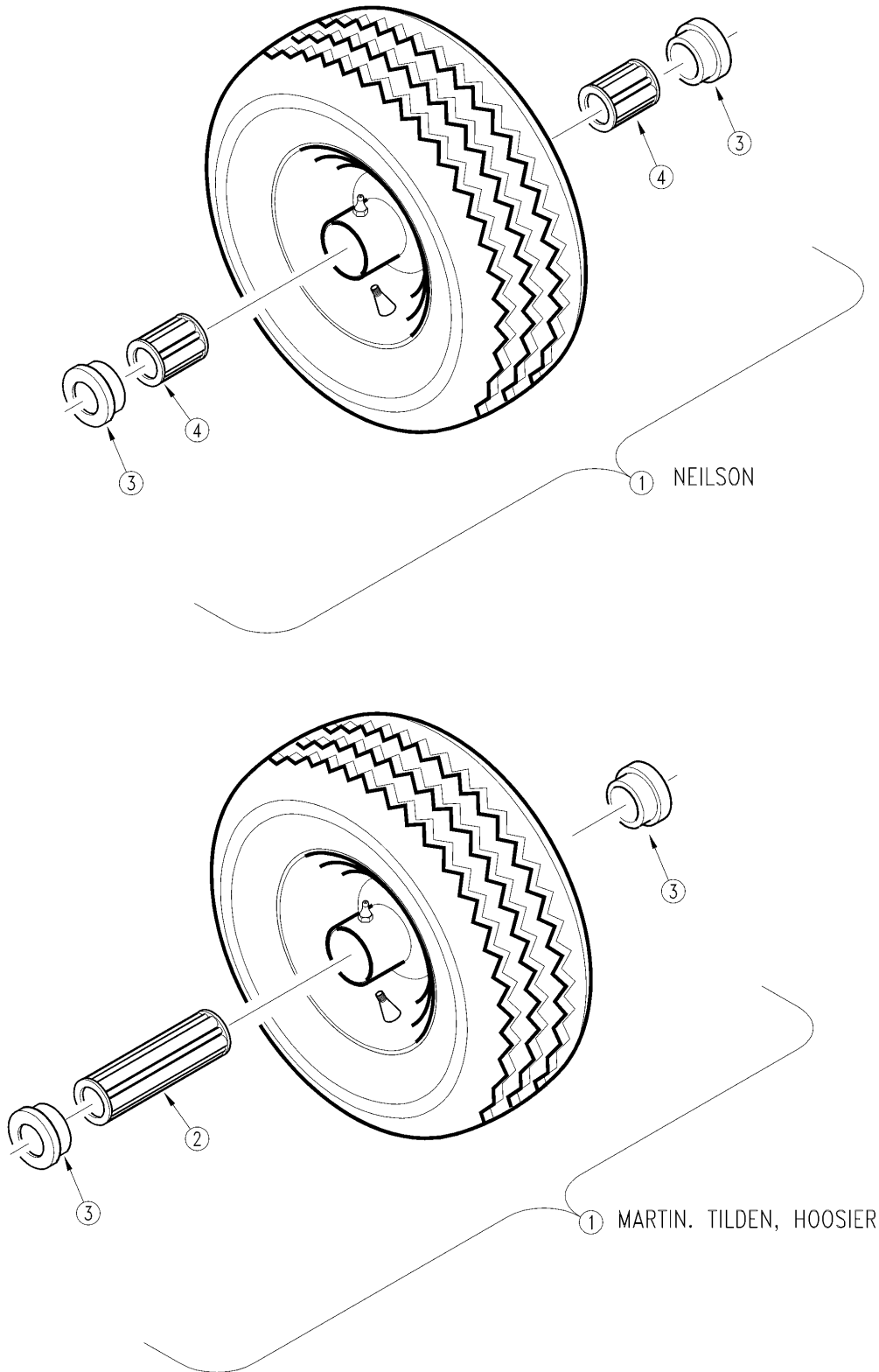
Gauge Wheel Assembly

Applies to FDR1648

Ref	Part No.	Part Description	Comments	Revision
	dwg20876	Drawing Image Number		
1.	802-658C	HFS 1/2-13 X 3 1/2 GR5/8		
2.	802-015C	RHSNB 3/8-16X1 GR5		
3.	803-037C	NUT HEX WHIZ 1/2-13 PLT		
4.	817-048C	SPINDLE BUSHING		
5.	800-001C	GREASE ZERK STRAIGHT 1/4-28		
6.	310-343S	ASSY. GAUGE WHEEL ARM RH.	Assy includes Ref. No's. 4 & 5	
6.	310-343S81	ASSY. GAUGE WHEEL ARM RH. GREEN		
6.	310-343S82	ASSY. GAUGE WHEEL ARM RH. ORANGE		
6.	310-343S83	ASSY. GAUGE WHEEL ARM RH. RED		
6.	310-343S84	ASSY. GAUGE WHEEL ARM RH. BLUE		
7.	805-126C	PIN LYNCH 1/4 X 1 3/4 PLT		
8.	827-001C	SPACER 1/2		
9.	827-002C	SPACER 1		
10.	802-350C	HHCS 1/2-20X6 1/2 GR5		
11.	310-149H	GAUGE WHEEL YOKE(5 1/8 INSIDE)		
12.	804-015C	WASHER LOCK SPRING 1/2 PLT	S/N 511276-	
13.	803-308C	NUT HEX FLG/LK 1/2-20 PLT.GR.	S/N 511277+	
13.	803-018C	NUT HEX 1/2-20 PLT	S/N 511277+	
14.	814-071C	TIRE 4.10/3.50-4 TUBELESS AIR		
14.	814-188C	TIRE 10X3.25 SOLID STRT RIB CR		
15.	310-328D	SPACER TUBE GA. WHL. 5 1/8 LG		
16.	310-024D	GAUGE WHEEL SPACER - SHORT	(air tire only)	
16.	310-329D	GAUGE WHEEL SPACER(SOLID TIRE)	(solid tire only)	
17.	310-105S	4X10 AIR TIRE & YOKE ASSY		
18.	803-198C	NUT HEX WHIZ 3/8-16 PLT		
19.	310-344S	ASSY. GAUGE WHEEL ARM LH.	Assy includes Ref. No's. 4 & 5	
19.	310-344S81	ASSY. GAUGE WHEEL ARM LH. GREEN		
19.	310-344S82	ASSY. GAUGE WHEEL ARM LH. ORANGE		
19.	310-344S83	ASSY. GAUGE WHEEL ARM LH. RED		
19.	310-344S84	ASSY. GAUGE WHEEL ARM LH. BLUE		

Gauge Wheel, Air (814-071C)

Applies to FDR1648, FDR1660, FDR1672



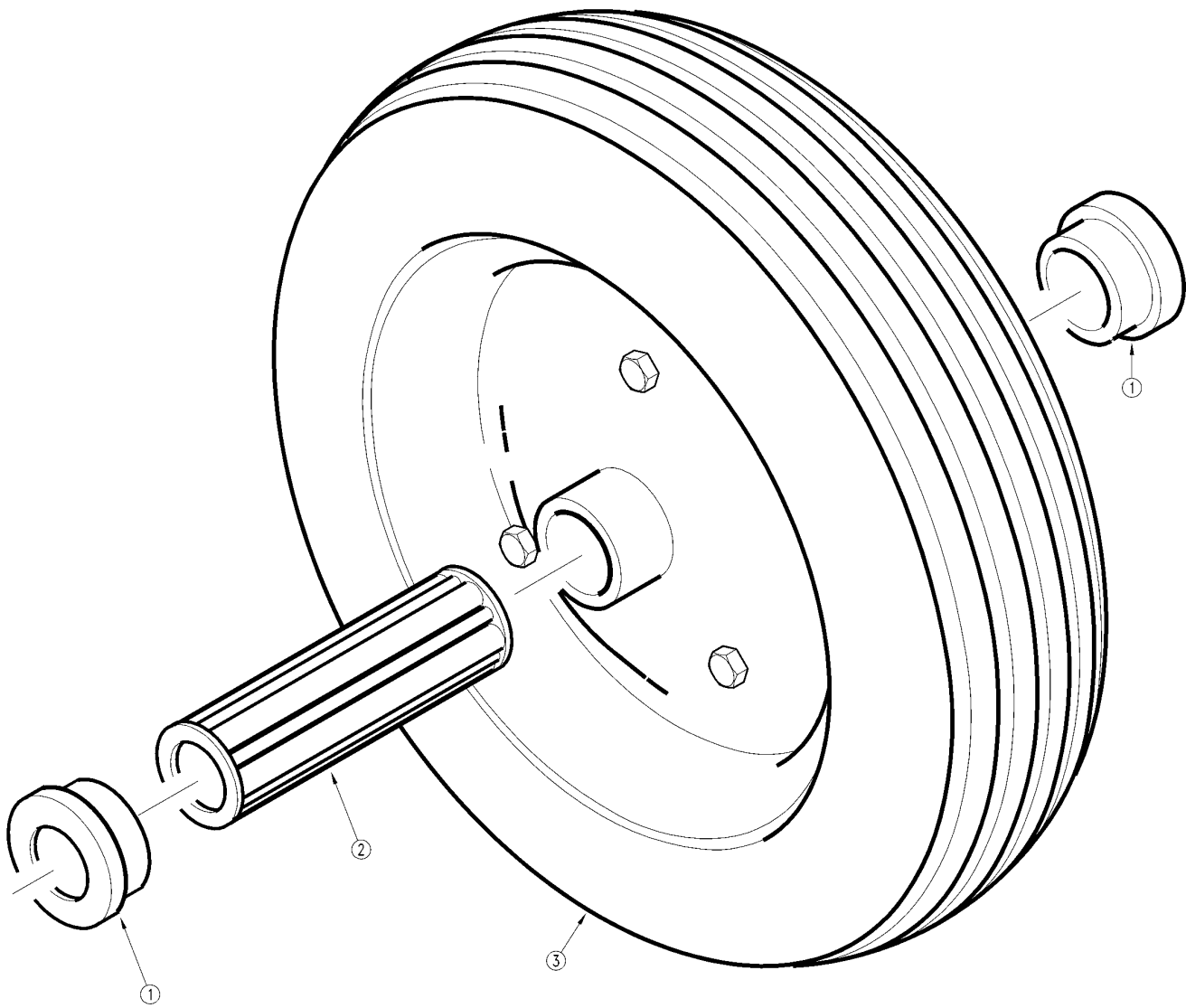
13629

Gauge Wheel, Air (814-071C)**Applies to FDR1648, FDR1660, FDR1672**

Ref	Part No.	Part Description	Comments	Revision
	dwg13629	Drawing Image Number		
	814-071C	Gauge Wheel Air Tire Assembly		
1.	814-071C	TIRE 10 X 4 TUBELESS AIR		
2.	53-182	TILDEN BRG 3/4IDX1 3/8ODX3 1/4		
2.	95352NA	RPBY 53-182 MRTN BRG3/4,3.25L		
3.	53-164	TILDEN RTNR 3/4IDX1 3/8OD		
3.	BF-1506	RPBY 53-164		
3.	RT-3414	RPBY 53-164		
4.	95316	BRG NEILSON 3/4ID1.34ODX15/16L		

Gauge Wheel, Solid Tire (814-188C)

Applies to FDR1648, FDR1660, FDR1672



17714

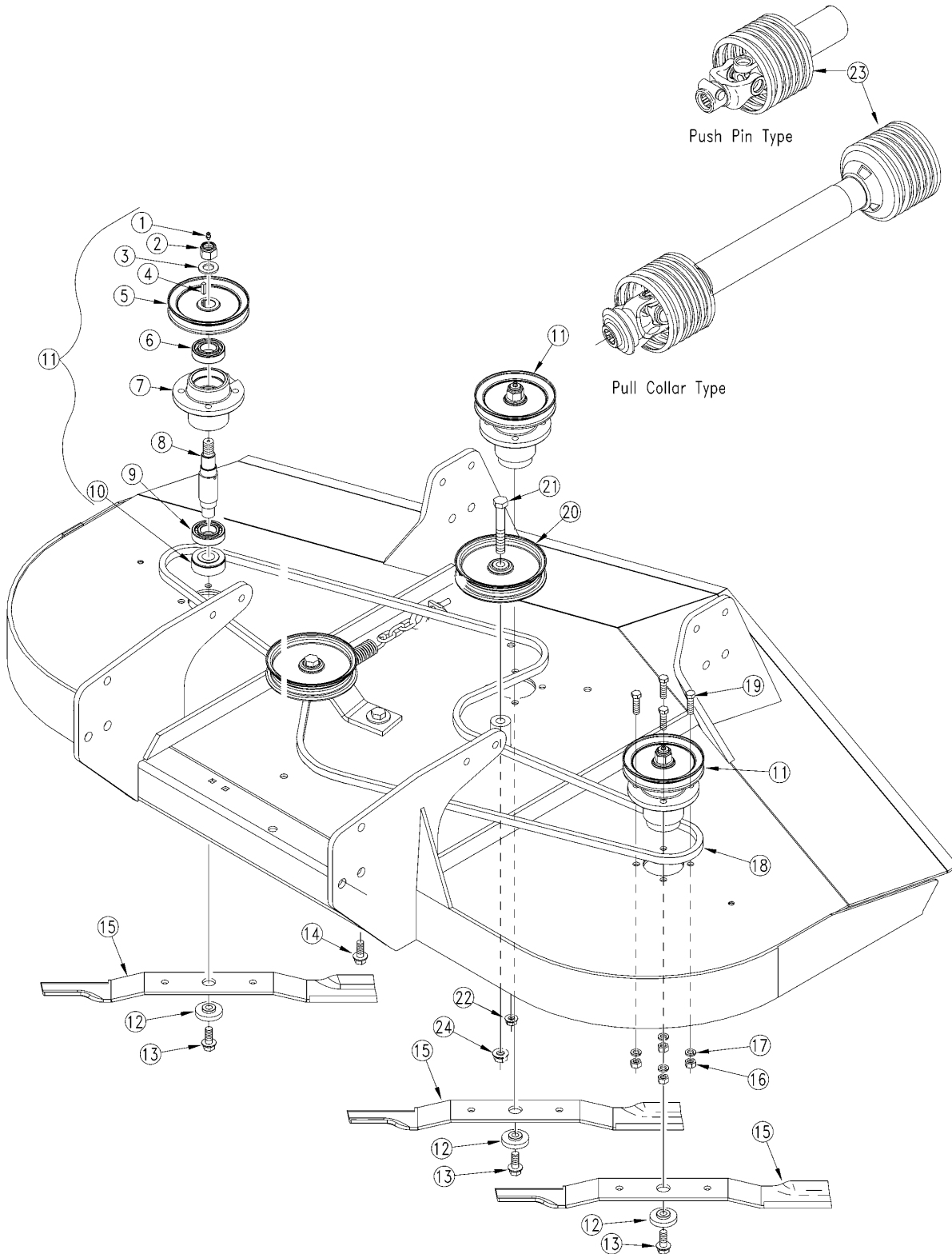
Gauge Wheel, Solid Tire (814-188C)

Applies to FDR1648, FDR1660, FDR1672

Ref	Part No.	Part Description	Comments	Revision
	dwg17714	Drawing Image Number		
	814-188C	GAUGE WHEEL SOLID TIRE ASSEMBLY		
1.	87040	HS BRG 3/4ID X 1.407OD X 5/8LG		
2.	87410	HS CGD RLR BRG.75IDX1.37X1.5LG		
3.	814-188C	TIRE 10X3.25 SOLID STRT RIB CR		

Belt Drive

Applies to FDR1648, FDR1660, FDR1672



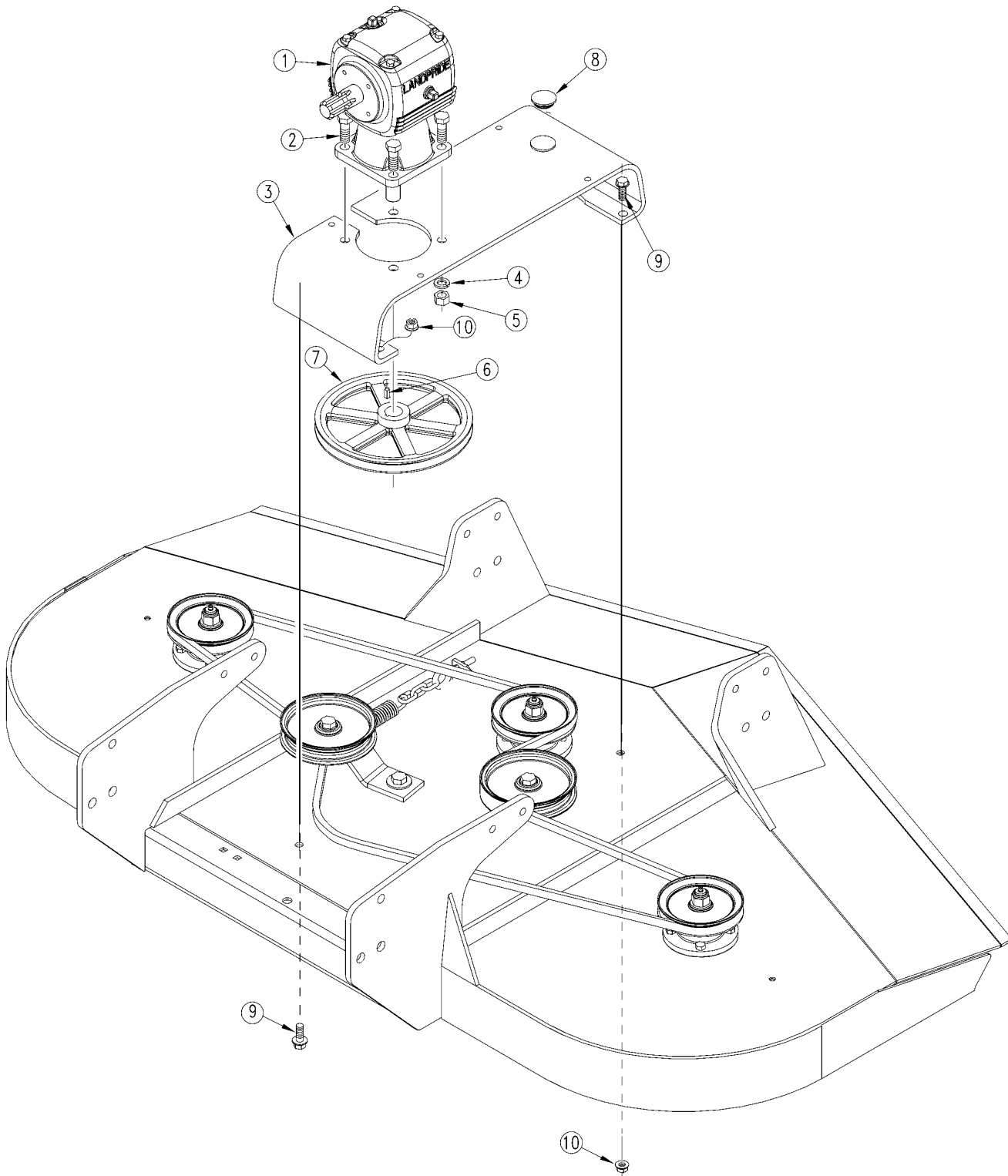
20879

Belt Drive**Applies to FDR1648, FDR1660, FDR1672**

Ref	Part No.	Part Description	Comments	Revision
	dwg20879	Drawing Image Number		
1.	800-001C	GREASE ZERK STRAIGHT 1/4-28		
2.	803-114C	NUT LOCK 3/4-16 NYLOC COLLAR		
3.	804-093C	WASHER FLAT 3/4 HARD ASTMF436		
4.	172-242D	1/4 SQ. KEY X 7/8 LG		
5.	808-075C	B-GROOVE PULLEY 5 O.D.	FDR1648 & FDR1660	
5.	808-127C	B-GROOVE DRIVE PULLEY 6 O.D.	FDR1672	
6.	822-161C	BEARING 6206 W/ METAL SHIELD		
7.	310-457D	BLADE HUB MACHINED TOP GREASE		
8.	310-630D	BLADE SPINDLE SHAFT CW TG		
9.	822-006C	BEARING 206		
10.	310-300D	BLADE HUB - 7/8		
11.	310-248S	CW TG SPINDLE HUB ASSY 5" PULL	FDR1648 & FDR1660	
11.	310-249S	CW TG SPINDLE HUB ASSY 6" PULL	FDR1672; (Shown)	
12.	804-110C	WASHER BLADE 2ODX.56THKX.51ID		
13.	802-695C	HFS 1/2-20X2 GR8		
14.	802-203C	HFSS 1/2-13X1 1/2 GR5		
15.	890-219C	MWR BLD 1/4X16 7/8SD HL CW	Optional high lift FDR1648	
15.	890-325C	MWR BLD 1/4X16 7/8SD ML CW	Standard medium lift FDR1648	
15.	890-323C	MWR BLD 1/4X16 7/8SD LL CW	Optional low lift FDR1648	
15.	890-700C	MWR BLD MULCH 1/4X16.87SD CW	Optional mulch FDR1648	
15.	890-171C	MWR BLD 1/4 X 20 29/32SD HL CW	Optional high lift FDR1660	
15.	890-375C	MWR BLD 1/4 X 20 29/32SD ML CW	Standard medium lift FDR1660	
15.	890-204C	MWR BLD 5/16X20 29/32SD LL CW	Optional low lift FDR1660	
15.	890-702C	MWR BLD MULCH 1/4X20.91SD CW	Optional mulch FDR1660	
15.	890-172C	MWR BLD 1/4 X 25SD HL CW	Optional high lift FDR1672	
15.	890-318C	MWR BLD 1/4 X 25SD ML CW	Standard medium lift FDR1672	
15.	890-200C	MWR BLD 5/16 X 25SD LL CW	Optional low lift FDR1672	
15.	890-698C	MWR BLD MULCH 1/4X25SD CW	Optional mulch FDR1672	
16.	803-115C	NUT HEX 7/16-20 PLT		
17.	804-014C	WASHER LOCK 7/16 PLT		
18.	816-142C	V-BELT B93 95.75 E.L. KEVLAR	FDR1648	
18.	816-308C	V-BELT B103 106 E.L. KEVLAR	FDR1660	
18.	816-116C	V-BELT B136 138.9 E.L. KEVLAR	FDR1672; (Shown)	
19.	802-229C	HHCS 7/16-20X1 1/2 GR8		
20.	808-129C	FLAT IDLER PULLEY 6 3/4 O.D.		
21.	802-053C	HHCS 5/8-11X1 3/4 GR5	FDR1648	
21.	802-151C	HHCS 5/8-11X4 1/4 GR5	FDR1660 & FDR1672; (Shown)	
22.	803-037C	NUT HEX WHIZ 1/2-13 PLT		
23.	826-410C	DRIVELINE CAT.3 X 38 STANDARD	(S/N 392473+)	Rev. 2
23.	826-273C	RPBY 826-410C	(S/N 392472-)	Rev. 1
24.	803-263C	NUT HEX FLANGE LOCK 5/8-11 PLT	FDR1660 & FDR1672; (Shown)	

Belt Drive - Gearbox

Applies to FDR1648, FDR1660, FDR1672



20889

Belt Drive - Gearbox**Applies to FDR1648, FDR1660, FDR1672**

Ref	Part No.	Part Description	Comments	Revision
	dwg20889	Drawing Image Number		
1.	826-367C	GBOX MOWER FDR16 1:2.8 REV.		
1.	826-367C81	GBOX MOWER FDR16 1:2.8 REV. GREEN		
1.	826-367C82	GBOX MOWER FDR16 1:2.8 REV. ORANGE		
1.	826-367C83	GBOX MOWER FDR16 1:2.8 REV. RED		
1.	826-367C84	GBOX MOWER FDR16 1:2.8 REV. BLUE		
2.	802-246C	HHCS 5/8-18 x 1 3/4 GR5		
3.	310-409S	GEARBOX MOUNT ASSEMBLY FDR1648	FDR1648 S/N 479891+	
3.	310-409S81	GEARBOX MOUNT ASSEMBLY FDR1648 GREEN		
3.	310-409S82	GEARBOX MOUNT ASSEMBLY FDR1648 ORANGE		
3.	310-409S83	GEARBOX MOUNT ASSEMBLY FDR1648 RED		
3.	310-409S84	GEARBOX MOUNT ASSEMBLY FDR1648 BLUE		
3.	310-376H	FDR1648 GEARBOX CHANNEL WLDMNT	FDR1648 S/N 479890-	
3.	310-376H81	FDR1648 GEARBOX CHANNEL WLDMNT GREEN		
3.	310-376H82	FDR1648 GEARBOX CHANNEL WLDMNT ORANGE		
3.	310-376H83	FDR1648 GEARBOX CHANNEL WLDMNT RED		
3.	310-376H84	FDR1648 GEARBOX CHANNEL WLDMNT BLUE		
3.	310-407S	GEARBOX MOUNT ASSEMBLY FDR1660	FDR1660 S/N 479891+	
3.	310-407S81	GEARBOX MOUNT ASSEMBLY FDR1660 GREEN		
3.	310-407S82	GEARBOX MOUNT ASSEMBLY FDR1660 ORANGE		
3.	310-407S83	GEARBOX MOUNT ASSEMBLY FDR1660 RED		
3.	310-407S84	GEARBOX MOUNT ASSEMBLY FDR1660 BLUE		
3.	310-362H	WELDMENT GEARBOX MOUNT FDR1660	FDR1660 S/N 479890-	
3.	310-362H81	WELDMENT GEARBOX MOUNT FDR1660 GREEN		
3.	310-362H82	WELDMENT GEARBOX MOUNT FDR1660 ORANGE		
3.	310-362H83	WELDMENT GEARBOX MOUNT FDR1660 RED		
3.	310-362H84	WELDMENT GEARBOX MOUNT FDR1660 BLUE		
3.	310-408S	GEARBOX MOUNT ASSEMBLY FDR1672	FDR1672 S/N 479891+	
3.	310-408S81	GEARBOX MOUNT ASSEMBLY FDR1672		
3.	310-408S82	GEARBOX MOUNT ASSEMBLY FDR1672		
3.	310-408S83	GEARBOX MOUNT ASSEMBLY FDR1672		
3.	310-408S84	GEARBOX MOUNT ASSEMBLY FDR1672		
3.	310-375H	FDR1672 GEARBOX CHANNEL WLDMNT	FDR1672 S/N 479890-	
3.	310-375H81	FDR1672 GEARBOX CHANNEL WLDMNT GREEN		
3.	310-375H82	FDR1672 GEARBOX CHANNEL WLDMNT ORANGE		
3.	310-375H83	FDR1672 GEARBOX CHANNEL WLDMNT RED		
3.	310-375H84	FDR1672 GEARBOX CHANNEL WLDMNT BLUE		
4.	804-022C	WASHER LOCK SPRING 5/8 PLT		
5.	803-022C	NUT HEX 5/8-18 PLT		
6.	310-331D	KEY 1/4 X 11/16 LONG		
7.	808-336C	B-GROOVE PULLEY 12" CAST-IRON	FDR1648	
7.	808-335C	B-GROOVE PULLEY 11" CAST-IRON	FDR1660 & FDR1672	
8.	816-298C	RUBBER PLUG 1 3/8 W/CROSS SLIT		
9.	802-203C	HFSS 1/2-13X1 1/2 GR5		

Belt Drive - Gearbox (continued)

Applies to FDR1648, FDR1660, FDR1672

Ref	Part No.	Part Description	Comments	Revision
10.	803-037C	NUT HEX WHIZ 1/2-13 PLT		

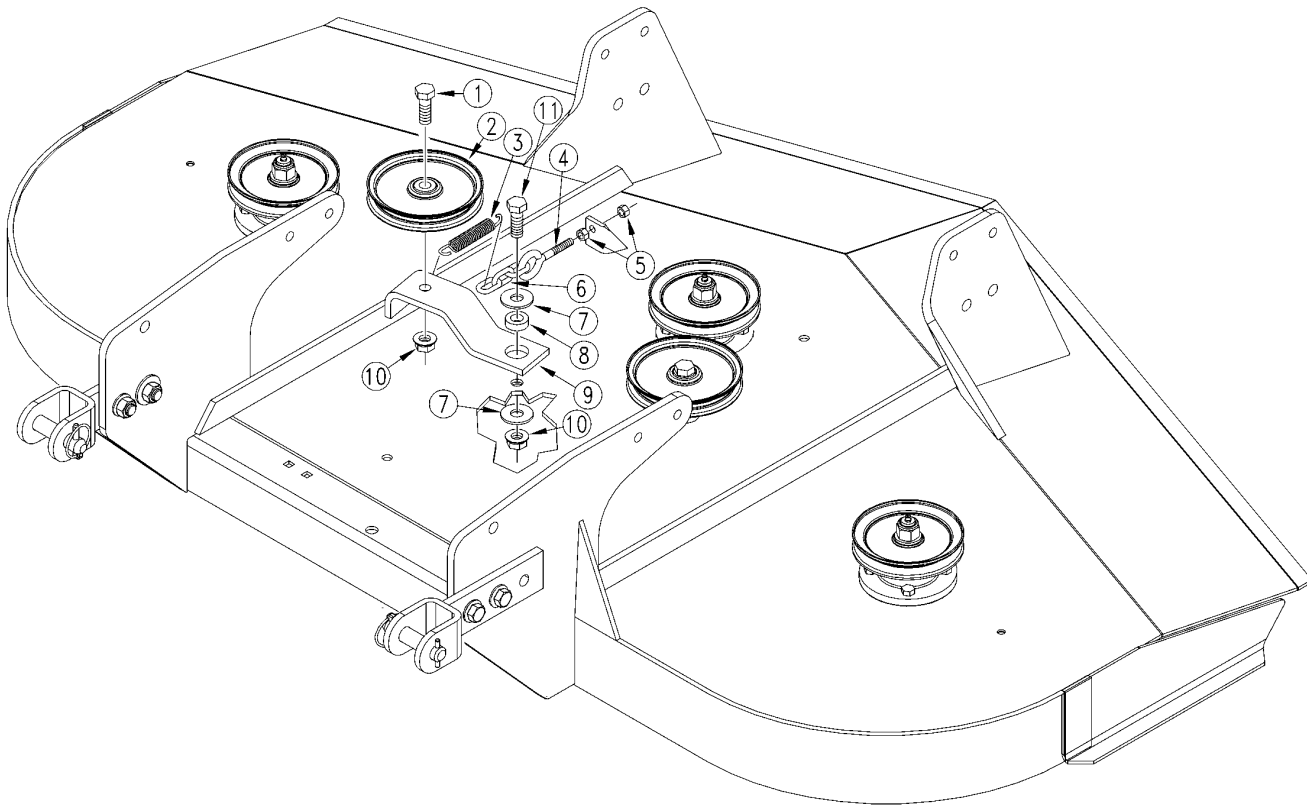
Belt Drive - Gearbox (continued)

Applies to FDR1648, FDR1660, FDR1672

This Page Intentionally Left Blank

Belt Drive - Take-Up

Applies to FDR1648, FDR1660, FDR1672



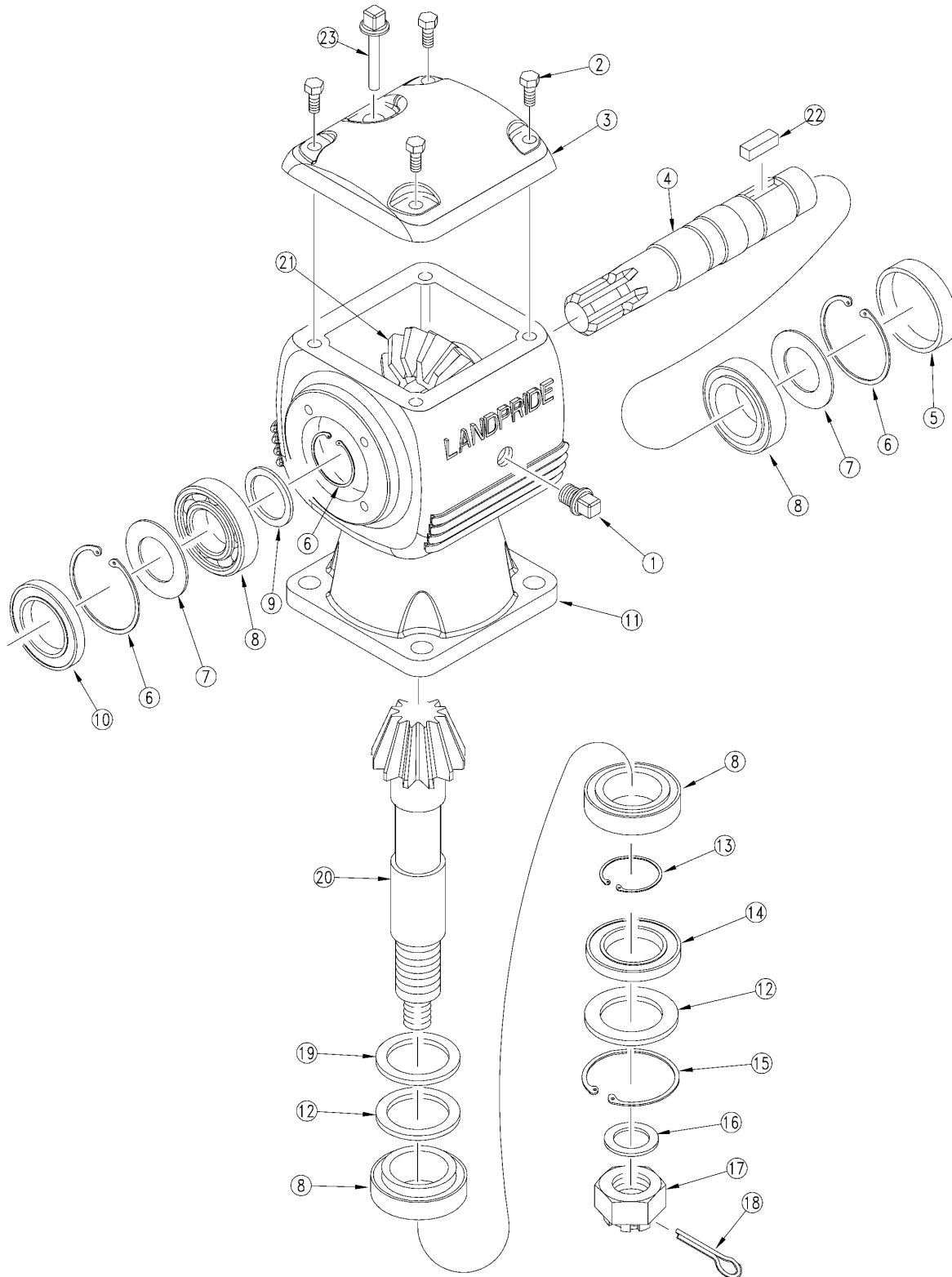
20878

Belt Drive - Take-Up**Applies to FDR1648, FDR1660, FDR1672**

Ref	Part No.	Part Description	Comments	Revision
	dwg20878	Drawing Image Number		
1.	802-053C	HHCS 5/8-11X1 3/4 GR5		
2.	808-129C	FLAT IDLER PULLEY 6 3/4 O.D.		
3.	807-068C	SPRING EXT BELT HANDLE		
4.	802-668C	EYE BOLT OPEN 3/8-16X3 1/2		
5.	803-014C	NUT HEX 3/8-16 PLT		
6.	890-641C	CHAIN WELD 1/4 PROOF X 3 LINK		
7.	804-019C	WASHER FLAT 5/8 USS PLT		
8.	310-494D	SPACER BUSHING		
9.	310-493D	SPRING IDLER BRACKET		
10.	803-263C	NUT HEX FLANGE LOCK 5/8-11 PLT		
11.	802-051C	HHCS 5/8-11X1 1/2 GR5		

Gearbox (826-367C) Comer

Applies to FDR1648, FDR1660, FDR1672



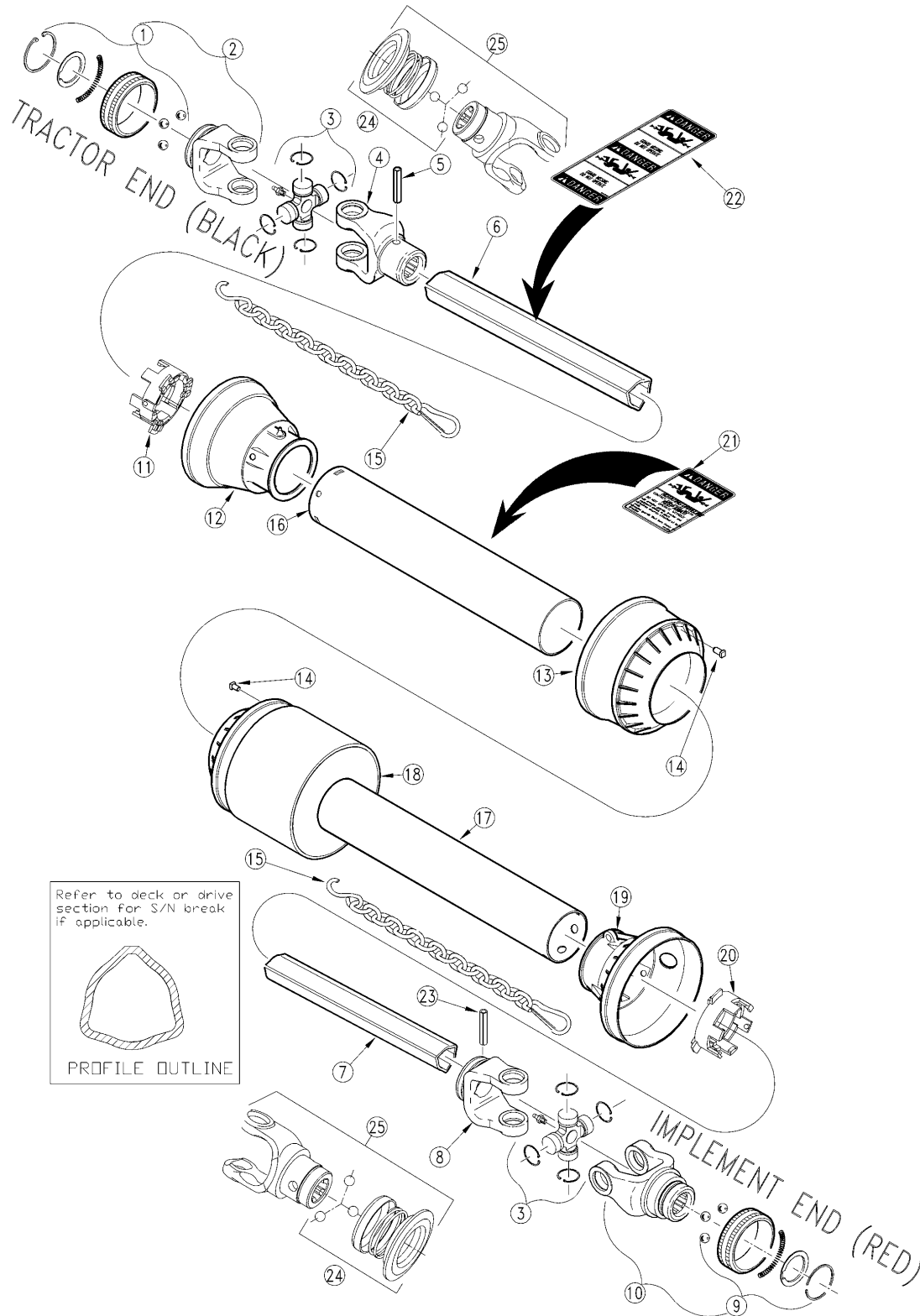
20888

Gearbox (826-367C) Comer**Applies to FDR1648, FDR1660, FDR1672**

Ref	Part No.	Part Description	Comments	Revision
	dwg20888	Drawing Image Number		
	826-367C	GBOX MOWER FDR16 1:2.8 REV.		
1.	8.6.5.00006	CO OIL PLUG 3/8		
2.	8.1.1.01357	CO BOLT M8X18 HHB (8.8)		
3.	0.215.1300.00	CO COVER		
4.	0.141.2100.00	KEYED SHAFT, 1 3/8 Z6		
5.	8.7.0.00744	CO CAP 72 X 10		
6.	8.5.2.00131	CO SNAP RING INT 72 UN17437		
7.	A.248.500	COMER SHIM KIT 71.7		
8.	822-166C	BEARING BALL 6207		
9.	0.248.7510.00	CO SHIM (60.3X71.7X1)		
10.	8.7.3.00055	CO OIL SEAL 35 X 72 X 10		
11.	0.215.0300.00	CO CASING		
12.	A.259.500	CO ADJUST SPACER KIT, 35.3 X48		
13.	8.5.1.00005	CO SNAP RING EXT 35 UN17435		
14.	8.7.1.00152	OIL SEAL, 35 X 72 X 12/10		
15.	8.5.3.01154	CO SNAP RING (SB73X74.8X2)		
16.	8.3.2.00409	CO FLAT WASHER 25 X 44 X 4		
17.	8.2.2.01144	NUT CASTLE M 24 X 2		
18.	8.4.7.00516	CO COTTER PIN B5 X 50		
19.	0.259.7510.00	CO SHIM (35.3X48X1)		
20.	0.215.5000.00	CO PINION Z12 M3.36		
21.	0.133.5000.00	CO GEAR CROWN Z34 M3.36		
22.	8.4.1.00993	CO PARALLEL KEY B 10 X 8 X 30		
23.	826-489C	COMER U0.215.7100.00 DIPSTICK		

Driveline (826-273C)

Applies to FDR1648, FDR1660, FDR1672



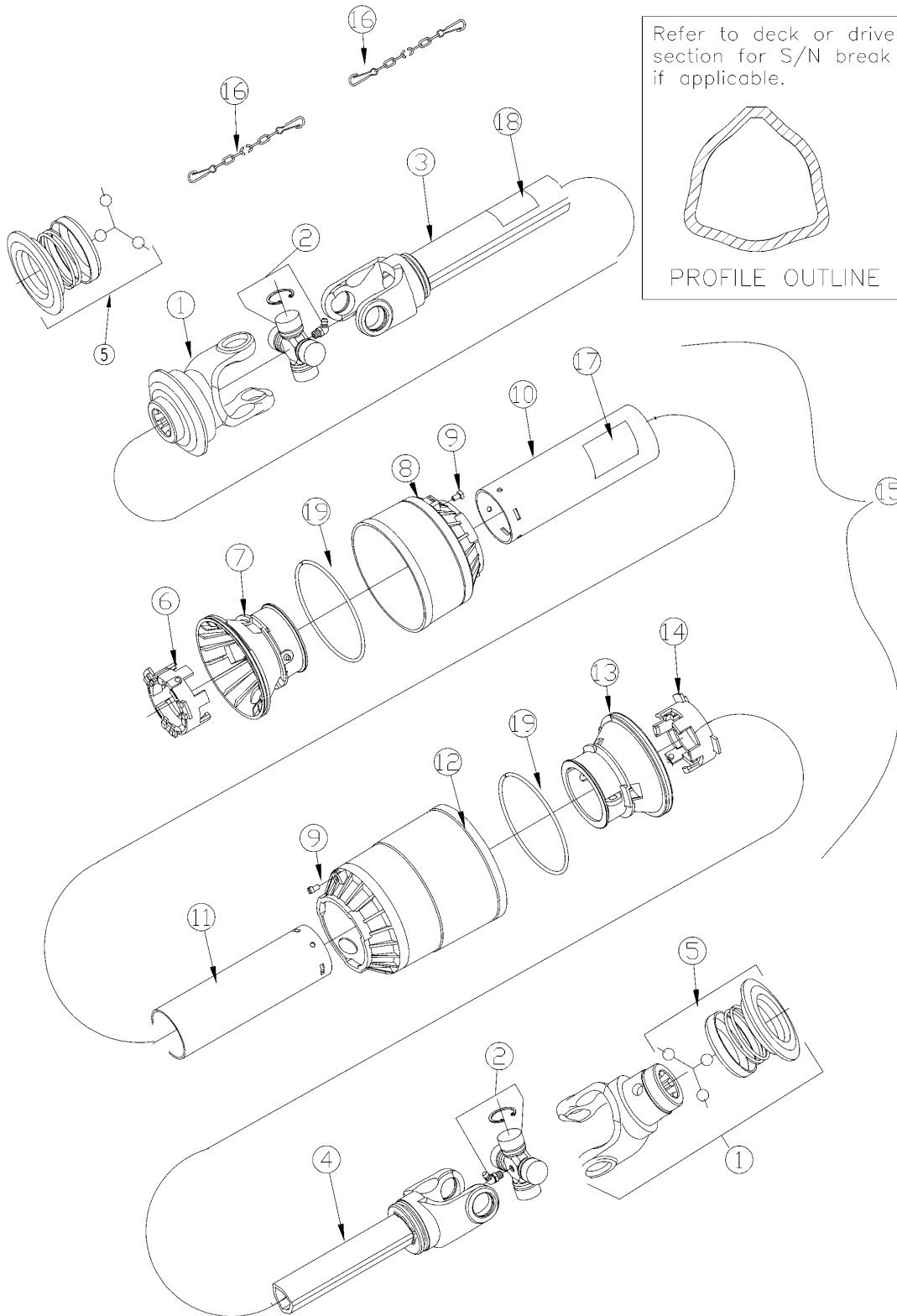
15220

Driveline (826-273C)**Applies to FDR1648, FDR1660, FDR1672**

Ref	Part No.	Part Description	Comments	Revision
	dwg15220	Drawing Image Number		
	826-410C	DRIVELINE CAT.3 X 38 STANDARD	Eurocardan	
	826-273C	RPBY 826-410C		
1.	1004220	EC TWIST COLLAR KIT (TRT. END)		
2.	1013010	EC YOKE ASSEMBLY (TRACT. END)		
3.	1003020	EC CROSS ASSEMBLY		
4.	1703027	EC OUTER TUBE YOKE		
5.	6330860	EC 08X60 1485DIN ROLL PIN		
6.	1524061	EC OUTER TUBE (1524062) 610MM		
7.	1523061	EC INNER TUBE (1523085) 610MM		
8.	1703029	EC INNER TUBE YOKE		
9.	1004224	EC TWIST COLLAR KIT (IMP. END)		
10.	1113010	EC YOKE ASSEMBLY (IMP. END)		
11.	1784210	EC TUBE BEARING		
12.	1884201	EC OUTER TUBE RIGID CONE		
13.	1884203	EC SOFT CONE		
14.	1784212	EC PIN STOP ROTATION		
15.	044321	DRIVELINE SHIELD SAFETY CHAIN		
16.	1873053	EC OUTER TUBE (1873077) 530MM		
17.	1872053	EC INNER TUBE (1872087) 530MM		
18.	1884205	EC SOFT LONG CONE		
19.	1884202	EC INNER TUBE RIGID CONE		
20.	1784211	EC TUBE BEARING		
21.	818-552C	DECAL DANGER PTO DRIVELINE		
22.	818-540C	DECAL DANGER GUARD MISS PTO		
23.	6330855	EC 8X55-DIN-1481 O/TUBE R/PIN		
24.	1004225	EC PULL COLLAR KIT		
25.	1014012	EC YOKE ASSEMBLY		

Driveline (826-410C) S/N 392473+

Applies to FDR1648, FDR1660, FDR1672



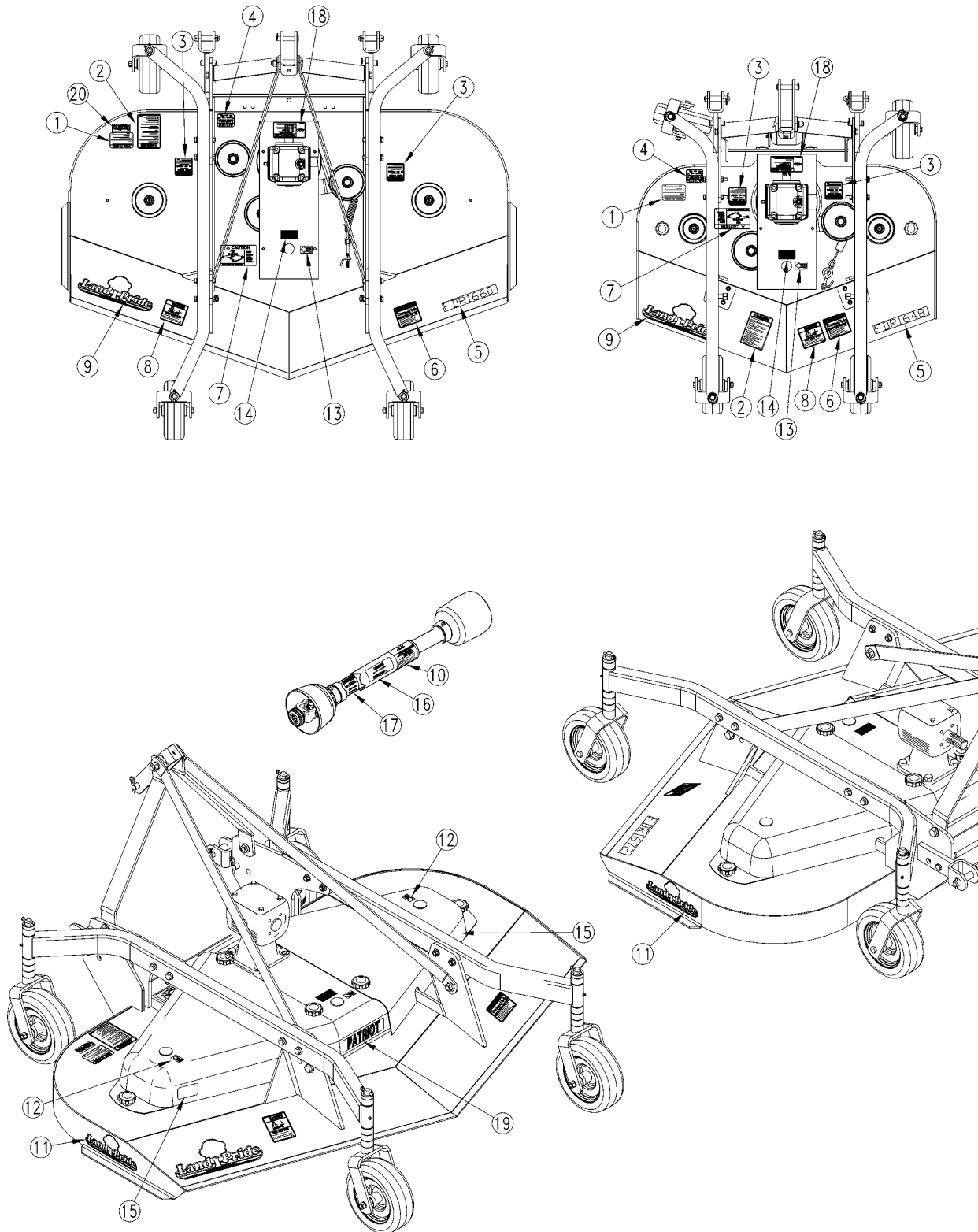
21269

Driveline (826-410C) S/N 392473+**Applies to FDR1648, FDR1660, FDR1672**

Ref	Part No.	Part Description	Comments	Revision
	dwg21269	Drawing Image Number		
	826-410C	DRIVELINE CAT.3 X 38 STANDARD *		
1.	1014012	EC YOKE ASSEMBLY (TRACT. END)		
2.	1004020	EC CROSS ASSEMBLY (U JOINT)		
3.	1944056N	EC OUTSIDE TUBE WITH YOKE		
4.	1954058N	EC INSIDE TUBE WITH YOKE		
5.	1004225	EC PULL COLLAR KIT		
6.	1784210	EC TUBE BEARING		
7.	1884201	EC OUTER TUBE RIGID CONE		
8.	1884203	EC SOFT CONE		
9.	1784212	EC PIN STOP ROTATION		
10.	1873054	EC OUTER TUBE (1873077) 540MM		
11.	1872054	EC INNER TUBE (1872087) 540MM		
12.	1884205	EC SOFT LONG CONE		
13.	1884202	EC INNER TUBE RIGID CONE		
14.	1784211	EC TUBE BEARING		
15.	044321	DRIVELINE SHIELD SAFETY CHAIN		
16.	818-552C	DECAL DANGER PTO DRIVELINE		
17.	818-540C	DECAL DANGER GUARD MISS PTO		
18.	1213233	EC STIFFENING RING		

Label Placement

Applies to FDR1648, FDR1660, FDR1672



20880

Label Placement

Applies to FDR1648, FDR1660, FDR1672

Ref	Part No.	Part Description	Comments	Revision
	dwg20880	Drawing Image Number		
	310-304A	FDR1660 DECAL SHIPOUT BUNDLE		
	310-305A	FDR1672 DECAL SHIPOUT BUNDLE		
	310-308A	FDR1648 DECAL SHIPOUT BUNDLE		
1.	818-560C	DECAL NOTICE TO OWNER-NO WARRA		
2.	818-558C	DECAL WARNING GEN SAFE MOWER		
3.	818-543C	DECAL DANGER PD GUARD MISS SML		
4.	818-130C	DECAL CAUTION 540 RPM		
5.	838-473C	DECAL FDR1648-BROWN	Beige Unit	
5.	838-898C	DECAL FDR1648-GOLD	Green, Orange, Red & Blue Unit	
5.	838-418C	DECAL FDR1660 - BROWN		
5.	838-899C	DECAL FDR1660-GOLD		
5.	838-472C	DECAL FDR1672 - BROWN	(Shown)	
5.	838-900C	DECAL FDR1672-GOLD		
6.	818-555C	DECAL DANGER ROTATE BLADE		
7.	838-270C	DECAL FDR1660 V-BELT INST. CW	(Shown)	
8.	818-556C	DECAL DANGER THROWN OBJ CUTTER		
9.	818-891C	DECAL LP W/TREE 13.25"-2 COLOR	Beige Unit	
9.	838-962C	DECAL LP 13" W/TREE BROWN/GOLD	Green, Orange, Red & Blue Unit	
10.	818-552C	DECAL DANGER PTO DRIVELINE		
11.	818-890C	DECAL LP W/TREE 10" - 2 COLOR	Beige Unit	
11.	838-963C	DECAL LP 10" W/TREE BROWN/GOLD	Green, Orange, Red & Blue Unit	
12.	818-298C	DECAL GREASE 25HRS BLACK/WHITE		
13.	818-138C	DECAL GREASE EVERY 25 HOURS		
14.	818-190C	DECAL FLAG		
15.	818-230C	DECAL RED REFLECTOR		
16.	838-063C	DECAL DRIVELINE 826-273C		
17.	818-540C	DECAL DANGER GUARD MISS PTO		
18.	818-142C	DECAL DANGER PTO DRIVELINE EN		
19.	838-535C	DECAL PATRIOT	Beige Unit	
19.	838-845C	DECAL PATRIOT, GOLD W/BLACK	Green, Orange, Red & Blue Unit	
20.	838-517C	DECAL QUICK HITCH SYSTEM	FDR1660 & FDR1672	



Part Number Index

The Part Number Index is a numeric index of all part numbers included in this manual. The index shows what page(s) the part is used on.

Part Number	Page	Part Number	Page	Part Number	Page	Part Number	Page
0.133.5000.00	65, 67, 109	09-009	45, 47	1532318	77	310-105S	93, 95
0.141.2100.00	65, 67, 109	090179	49, 51, 53, 55,	1702027	69, 71, 77	310-124H	7
0.195.0300.00	61, 63		57, 59	1702029	69, 71, 77	310-125H	7, 11, 15
0.195.1300.00	61, 63	090180	49, 51, 53, 55,	1703027	73, 75, 79, 111	310-132S	21, 29
0.195.2000.00	61, 63		57, 59	1703029	73, 75, 79, 111	310-139S	21, 29
0.195.5000.00	61, 63	090181	49, 51, 53, 55,	172-242D	21, 25, 29, 33,	310-149H	11, 15, 93, 95
0.195.6000.00	61, 63		57, 59		37, 41, 101	310-161S	25
0.215.0300.00	65, 67, 109	090182	49, 51, 53, 55,	1772329	69, 71	310-165H	21, 33
0.215.1300.00	65, 67, 109		57, 59	1772331	77	310-176D	21, 26, 30
0.215.5000.00	65, 67, 109	090183	49, 51, 53, 55,	1782016	69, 71, 77	310-177S	25
0.248.7510.00	65, 67, 109		57, 59	1782210	69, 71, 77	310-181H	7
0.259.7510.00	65, 67, 109	090184	49, 51, 53, 55,	1782211	69, 71, 77	310-182H	7
0.259.7525.00	61, 63		57, 59	1784210	73, 75, 79, 111,	310-183H	21, 33
0.278.7103.00	61, 63	090185	53, 59		113	310-185S	7
010175	49, 51, 53	090186	53, 59	1784211	73, 75, 79, 111,	310-192H	11
010252	55, 57, 59	090187	53, 59		113	310-193S	11, 15
02-035	45, 47	090188	53, 59	1784212	73, 75, 79, 111,	310-194S	11, 15
020224	49, 51, 53, 55,	090189	49, 51, 55, 57		113	310-195H	11, 25, 37
	57, 59	090190	49, 51, 55, 57	18-021	45, 47	310-196H	11, 15
020225	49, 51, 53, 55,	090341	55, 57, 59	1872028	73, 75	310-197H	11, 15
	57, 59	1.195.7100.00	61, 63	1872030	69, 71	310-200H	15
03-042	45, 47	10-002	45, 47	1872038	79	310-201H	15, 29, 41
03-043	45, 47	100001	49, 51, 53, 55,	1872040	77	310-204A	81
030456	53, 59		57, 59	1872053	111	310-205A	81
030457	53, 59	1002020	69, 71, 77	1872054	113	310-206A	83
030460	49, 51, 55, 57	1003020	73, 75, 79, 111	1873028	73, 75	310-207A	83
030461	49, 51, 55, 57	1004020	113	1873030	69, 71	310-208A	83
04-003	45, 47	1004220	69, 71, 73, 75,	1873038	79	310-209A	83
04-004	45, 47		77, 79, 111	1873040	77	310-210S	7, 12, 16
040335	49, 51, 53	1004224	69, 71, 73, 75,	1873053	111	310-224D	21, 25, 29, 34,
040491	55, 57, 59		77, 79, 111	1873054	113		37, 41
044321	69, 71, 73, 75,	1004225	69, 71, 73, 75,	1882342	69, 71, 77	310-248S	34, 42, 101
	77, 79, 111, 113		77, 79, 111, 113	1882344	77	310-249S	38, 101
05-002	45, 47	1012010	69, 71, 77	1883013	69, 71, 77	310-280D	15
05-005	45, 47	1013010	73, 75, 79, 111	1883014	69, 71, 77	310-300D	21, 25, 29, 34,
050006	49, 51, 55, 57	1014012	69, 71, 73, 75,	1883230	69, 71, 77		38, 42, 101
050007	45, 47, 49, 51,		77, 79, 111, 113	1883231	69, 71, 77	310-304A	115
	55, 57	11-007	45, 47	1884201	69, 71, 73, 75,	310-305A	115
050170	53, 59	110009	49, 51, 53, 55,		77, 79, 111, 113	310-305D	7
050172	53, 59		57, 59	1884202	69, 71, 73, 75,	310-307D	7
050195	53, 59	110192	49, 51, 53, 55,		77, 79, 111, 113	310-308A	115
050197	53, 59		57, 59	1884203	69, 71, 73, 75,	310-312D	21, 26, 30
06-012	45, 47	1112010	69, 71, 77		77, 79, 111, 113	310-319H	7, 11, 15
060127	49, 51, 53, 55,	1113010	73, 75, 79, 111	1884205	69, 71, 73, 75,	310-328D	11, 15, 93, 95
	57, 59	120050	49, 51, 53, 55,		77, 79, 111, 113	310-329D	11, 15, 93, 95
060128	49, 51, 53, 55,		57, 59	1884212	69, 71, 77	310-331D	21, 25, 29, 33,
	57, 59	1213233	73, 75, 79, 113	1944056N	113		37, 41, 45, 47,
07-001	45, 47	130006	49, 51, 53, 55,	1954058N	113		103
07-005	45, 47		57, 59	20-003	45, 47	310-343S	95
070246	49, 51, 53, 55,	130028	49, 51, 53, 55,	20-007	45, 47	310-343S81	95
	57, 59		57, 59	200000	49, 51, 53, 55,	310-343S82	95
070247	49, 51, 53, 55,	140000	49, 51, 53, 55,		57, 59	310-343S83	95
	57, 59		57, 59	200140	49, 51, 53, 55,	310-343S84	95
070248	49, 51, 53, 55,	140017	49, 51, 53, 55,		57, 59	310-344S	95
	57, 59		57, 59	200141	49, 51, 53, 55,	310-344S81	95
070249	49, 51, 53, 55,	140033	49, 51, 53, 55, 57		57, 59	310-344S82	95
	57, 59	140047	49, 51, 53, 59	21-012	45, 47	310-344S83	95
070250	49, 51, 53, 55,	1522038	69, 71	240280	49, 51, 53, 55,	310-344S84	95
	57, 59	1522048	77		57, 59	310-353D	21, 33
070251	49, 51, 53, 55,	1523036	73, 75	310-012D	7, 11, 15, 89, 91	310-354D	21, 33
	57, 59	1523038	69, 71	310-015D	7, 11, 15	310-359H	89
070252	49, 51, 53, 55,	1523046	79	310-017S	93	310-359H81	89
	57, 59	1523048	77	310-020S	7, 11, 15, 89, 91	310-359H82	89
070253	49, 51, 53, 55,	1523061	111	310-024D	11, 15, 93, 95	310-359H83	89
	57, 59	1524036	73, 75	310-043D	25, 29	310-359H84	89
08-004A	45, 47	1524046	79	310-051D	21, 33	310-361D	21, 25, 29, 34,
08-004B	45, 47	1524061	111	310-094H	21, 25, 29, 33,		37, 41
08-005A	45, 47	1532302	69, 71		37, 41	310-362H	103
08-005B	45, 47	1532304	77	310-095H	21, 25, 29, 33,	310-362H81	103
09-002	45, 47	1532316	69, 71		37, 41	310-362H82	103

Table of Contents Part Number Index



Part Number Index (continued)

Part Number	Page	Part Number	Page	Part Number	Page	Part Number	Page
310-362H83	103	315-075S	25, 37	802-014C	7, 11, 15	804-022C	7, 11, 15, 21, 25,
310-362H84	103	315-103H	25, 29, 37, 41	802-015C	87, 95		29, 33, 37, 41,
310-364S	93	315-133H	7, 11, 15	802-034C	21		89, 91, 103
310-364S81	93	315-233D	11	802-036C	11, 15	804-025C	22, 26, 30
310-364S82	93	315-248S	29, 41	802-051C	21, 33, 107	804-029C	21, 25, 29, 33,
310-364S83	93	315-375S	33, 41	802-053C	89, 91, 101, 107		37, 41
310-364S84	93	315-378S	37	802-055C	89, 91	804-093C	22, 26, 30, 33,
310-365D	7	315-406H	33	802-091C	11, 15, 21, 33		37, 41, 101
310-369H	89	315-407H	41	802-100C	11, 15	804-110C	21, 25, 29, 33,
310-369H81	89	315-408H	11, 37	802-151C	101		37, 41, 101
310-369H82	89	315-409D	7, 11, 16	802-203C	11, 12, 15, 16,	805-015C	7, 11, 15, 89, 91
310-369H83	89	315-481D	7		33, 34, 101, 103	805-016C	87
310-369H84	89	315-515H	87	802-207C	11	805-017C	21, 25, 29, 33,
310-370H	91	315-516S	87	802-228C	21, 33		37, 41, 45, 47
310-370H81	91	315-562D	11, 15	802-229C	21, 25, 29, 33,	805-065C	7
310-370H82	91	315-563D	25, 29, 37, 41		37, 41, 101	805-126C	7, 11, 15, 93, 95
310-370H83	91	315-785D	11	802-233C	25, 29	805-142C	7, 11, 15, 89, 91
310-370H84	91	315-880D	87	802-237C	21, 33	805-143C	7, 11, 15, 89, 91
310-373S	93	315-880D81	87	802-239C	25, 29, 37, 41	807-068C	21, 25, 29, 33,
310-373S81	93	315-880D82	87	802-242C	89, 91		37, 41, 107
310-373S82	93	315-880D83	87	802-246C	7, 11, 15, 25, 29,	808-073C	21, 29, 33, 41
310-373S83	93	315-880D84	87		33, 37, 41, 103	808-075C	21, 25, 29, 33,
310-373S84	93	315-881D	87	802-281C	25, 29, 37, 41		41, 101
310-375D	11, 15	315-881D81	87	802-307C	7, 11, 15, 89, 91	808-126C	25, 29, 37, 41
310-375H	103	315-881D82	87	802-321C	7, 11, 15	808-127C	25, 29, 37, 101
310-375H81	103	315-881D83	87	802-322C	7	808-128C	25, 37
310-375H82	103	315-881D84	87	802-329C	7, 11, 15	808-129C	25, 37, 101, 107
310-375H83	103	53-164	9, 19, 97	802-350C	11, 15, 93, 95	808-182C	21, 33
310-375H84	103	53-182	19, 97	802-384C	21, 25, 29, 33,	808-335C	25, 29, 37, 41,
310-376D	11	53-189	19		37, 41		103
310-376H	103	53-217	9	802-443C	21	808-336C	33, 103
310-376H81	103	6330855	69, 71, 73, 75,	802-567C	21, 25, 29, 33,	811-320C	45, 47
310-376H82	103		77, 79, 111		37, 41	814-071C	11, 15, 19, 93,
310-376H83	103	6330860	69, 71, 73, 75,	802-657C	89, 91		95, 97
310-376H84	103		77, 79, 111	802-658C	93, 95	814-079C	7, 9
310-379H	89, 91	8.0.9.00026	61, 63	802-668C	107	814-108C	7, 9
310-379H81	89, 91	8.0.9.00102	61, 63	802-695C	21, 33, 37, 41,	814-188C	11, 15, 19, 93,
310-379H82	89, 91	8.1.1.00501	61, 63		101		95, 99
310-379H83	89, 91	8.1.1.01357	65, 67, 109	803-006C	21, 25, 29	816-116C	29, 41, 101
310-379H84	89, 91	8.2.2.01144	21, 25, 29, 33,	803-014C	7, 11, 15, 21, 25,	816-141C	25, 37
310-407D	15		37, 41, 61, 63,		29, 33, 37, 41,	816-142C	21, 33, 101
310-407S	103		65, 67, 109	803-018C	7, 11, 15, 21, 93,	816-298C	7, 12, 16, 34, 38,
310-407S81	103	8.3.2.00409	61, 63, 65, 67,		95		42, 85, 103
310-407S82	103		109	803-020C	11, 15, 21, 33	816-308C	101
310-407S83	103	8.4.1.00993	65, 67, 109	803-022C	7, 11, 15, 21, 25,	816-504C	89, 91
310-407S84	103	8.4.7.00516	61, 63, 65, 67,		29, 33, 37, 41,	817-028C	25, 29, 37, 41
310-408S	103		109		89, 91, 103	817-048C	7, 11, 15, 93, 95
310-408S81	103	8.5.1.00005	65, 67, 109	803-024C	21, 33	817-050C	21, 25, 29, 33,
310-408S82	103	8.5.1.00680	61, 63	803-037C	12, 16, 34, 93,		37, 41
310-408S83	103	8.5.2.00131	61, 63, 65, 67,		95, 101, 104	817-082C	7, 11, 15, 87
310-408S84	103		109	803-114C	7, 11, 12, 15, 16,	817-192C	7, 11, 15
310-409S	103	8.5.3.00955	61, 63		21, 26, 29, 33,	817-358C	85
310-409S81	103	8.5.3.01154	65, 67, 109		37, 41, 101	817-491C	85
310-409S82	103	8.6.5.00006	61, 63, 65, 67,		109	817-492C	85
310-409S83	103		109	803-115C	21, 25, 29, 33,	817-512C	85
310-409S84	103	8.7.0.00744	61, 63, 65, 67,		37, 41, 101	817-514C	85
310-449D	15		109	803-119C	25, 29, 37, 41	817-515C	85
310-454D	34, 38, 42	8.7.1.00152	65, 67, 109	803-198C	87, 95	818-130C	81, 83, 115
310-457D	34, 38, 42, 101	8.7.3.00055	61, 63, 65, 67,	803-255C	89, 91	818-138C	81, 83, 115
310-474D	89		109	803-263C	89, 91, 101, 107	818-142C	81, 83, 115
310-475D	89	8.7.3.00081	61, 63	803-271C	89, 91	818-164C	81, 83
310-493D	107	800-001C	7, 11, 15, 34, 38,	803-308C	95	818-165C	81, 83
310-494D	107		42, 93, 95, 101	804-007C	89, 91	818-190C	81, 83, 115
310-522D	89	800-075C	21, 26, 30	804-013C	7, 11, 15	818-230C	81, 83, 115
310-533D	7, 12, 16	800-099C	21, 25, 29, 33,	804-014C	21, 25, 29, 33,	818-293C	81
310-605D	91		37, 41		37, 41, 101	818-298C	81, 83, 115
310-606D	91	800-157C	33, 37, 41	804-015C	7, 11, 15, 21, 33,	818-493C	81
310-630D	34, 38, 42, 101	800-163C	7, 11, 15		93, 95	818-494C	81, 83
312-085D	89, 91	800-193C	33, 37, 41	804-016C	11, 15, 21, 33	818-514C	83
312-609D	89, 91	800-320C	7, 12, 16, 89, 91	804-019C	89, 91, 107	818-527C	83
312-610D	89, 91	802-005C	89, 91	804-021C	87, 89, 91	818-529C	83



Part Number Index (continued)

<u>Part Number</u>	<u>Page</u>	<u>Part Number</u>	<u>Page</u>
818-530C	83	890-189C	9
818-540C	69, 71, 73, 75, 77, 79, 81, 83, 111, 113, 115	890-200C	25, 37, 101
818-543C	81, 83, 115	890-204C	29, 41, 101
818-552C	69, 71, 73, 75, 77, 79, 81, 83, 111, 113, 115	890-219C	21, 33, 101
818-555C	81, 83, 115	890-318C	25, 37, 101
818-556C	81, 83, 115	890-323C	21, 33, 101
818-557C	81, 83	890-325C	21, 33, 101
818-558C	81, 83, 115	890-375C	29, 41, 101
818-560C	81, 83, 115	890-641C	107
818-890C	115	890-698C	25, 37, 101
818-891C	115	890-700C	21, 33, 101
818-892C	81, 83	890-702C	29, 41, 101
818-896C	81	95316	97
818-897C	83	95340NA	9
818-908C	81	95352NA	97
818-909C	83	990-109R	33, 37, 41
818-910C	83	A.248.500	61, 63, 65, 67, 109
822-006C	21, 22, 25, 26, 29, 30, 34, 38, 41, 101	A.259.500	65, 67, 109
822-161C	22, 26, 30, 33, 37, 41, 101	A244.501	61, 63
822-166C	45, 47, 49, 51, 55, 57, 61, 63, 65, 67, 109	BF-1506	97
822-188C	45, 47, 49, 51, 55, 57	dwg13284	21
826-085C	21, 25, 29, 45, 47	dwg13285	7
826-107C	29, 41, 69, 71, 73, 75	dwg13592	15
826-140C	25, 37, 77, 79	dwg13593	29
826-204C	21, 25, 29, 33, 37, 41, 49, 51	dwg13601	11
826-206C	33, 53	dwg13602	25
826-273C	101, 111	dwg13629	19, 97
826-294C	55, 57	dwg13713	9
826-296C	59	dwg13996	45, 47
826-326C	33, 37, 41, 61, 63	dwg15220	69, 71, 77, 111
826-367C	33, 37, 41, 65, 67, 103, 109	dwg15934	53
826-367C81	103	dwg16020	49, 51
826-367C82	103	dwg16484	41
826-367C83	103	dwg16485	37
826-367C84	103	dwg16497	33
826-410C	101, 111, 113	dwg17257	73, 75, 79
826-489C	65, 67, 109	dwg17593	81
827-001C	7, 11, 15, 93, 95	dwg17594	83
827-002C	7, 11, 15, 93, 95	dwg17714	99
827-007C	7	dwg18705	55, 57
827-012C	7	dwg18706	59
838-063C	115	dwg20873	89
838-270C	115	dwg20874	87
838-418C	115	dwg20875	85
838-472C	115	dwg20876	95
838-473C	115	dwg20877	93
838-517C	81, 83, 115	dwg20878	107
838-535C	115	dwg20879	101
838-845C	115	dwg20880	115
838-898C	115	dwg20881	91
838-899C	115	dwg20888	65, 67, 109
838-900C	115	dwg20889	103
838-962C	115	dwg21269	113
838-963C	115	dwg30000	61, 63
87040	19, 99	RT-3414	9, 97
87410	19, 99	U0.195.7101.00	61, 63
890-171C	29, 41, 101		
890-172C	25, 37, 101		

This Page Intentionally Left Blank



Great Plains Manufacturing, Inc.

Corporate Office: P.O. Box 5060
Salina, Kansas 67402-5060 USA

www.landpride.com
